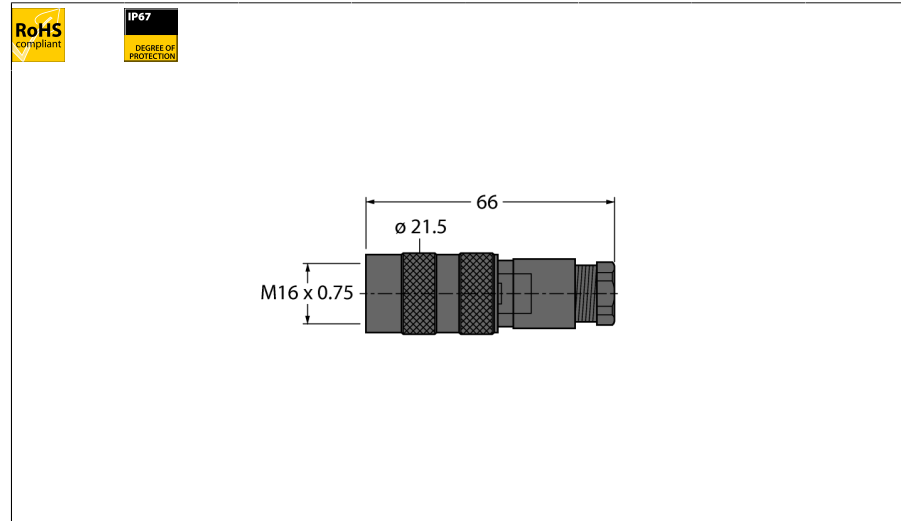
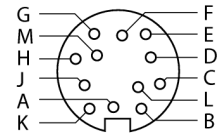


**Round connector M16 x 0.75
Female, straight, customizable
BK12-0**



- Solder connection
- 12-pin
- PG9 screw-in thread
- Cable feedthrough 6.0...8.0 mm

Pin Assignment



Type designation	BK12-0
Ident no.	6934741
Connector A side	
Field-wireable, female, M16 - 0.75, Straight	
Number of pins	12
Contacts	Bronze, CuSn, Gold-plated
Contact carriers	Plastic, PBT UL94-V0, Black
Grip	Plastic, PA, Black
Coupling nut/screw	Die-cast zinc, GD-Zn, Nickel-plated
Screw-in thread	PG9
External diameter of the cable	min. 6...8mm
Core cross-section/Clamping ability	0.14...0.25mm ²
Connection mode	Solder contact
Mechanical lifespan	> 500 Mating cycles
Pollution degree	1
Protection class	IP67, (screwed together)
Electrical features at +20 °C	
Rated voltage	60 V
Current	3 A
Insulation resistance	≥ 10 ⁸ Ω
Forward resistance	≤ 3 mΩ
Mechanical and chemical properties	
Ambient temperature	
Stationary	-40...+95°C