

IEC Appliance Inlet C14 with Filter, Fuseholder 1-pole

Plug removal necessary for fuse replacement



Type 5200, Fuseholder 1-pole with spare compartment
Screw-On Version

Type 5200, Fuseholder 1-pole with spare compartment
Snap-In Version



Description

- Panel Mount:
Snap-in or screw-on mounting from front side
- 3 Functions:
Appliance Inlet Protection class I, Fuseholder for fuse-links 5 x 20 mm 1-pole, Line filter in standard and medical version
- Quick connect terminals 6.3 x 0.8 mm

Approvals

- VDE Certificate Number: 101307
- UL File Number: E72928

Characteristics

- All single elements are already wired
- Plug removal necessary for fuse-link replacement
- Suitable for use in equipment according to IEC/UL 60950
- Suitable for use in medical equipment according to IEC/UL 60601-1

References

- Alternative: version without line filter [6200](#)
- Alternative: Standard version

Weblinks

[pdf-datasheet](#), [html-datasheet](#), [General Product Information](#), [RoHS](#), [CHINA-RoHS](#), [REACH](#), [Mating Connectors](#), [e-Shop](#), [SCHURTER-Stock-Check](#), [Distributor-Stock-Check](#), [Accessories](#)

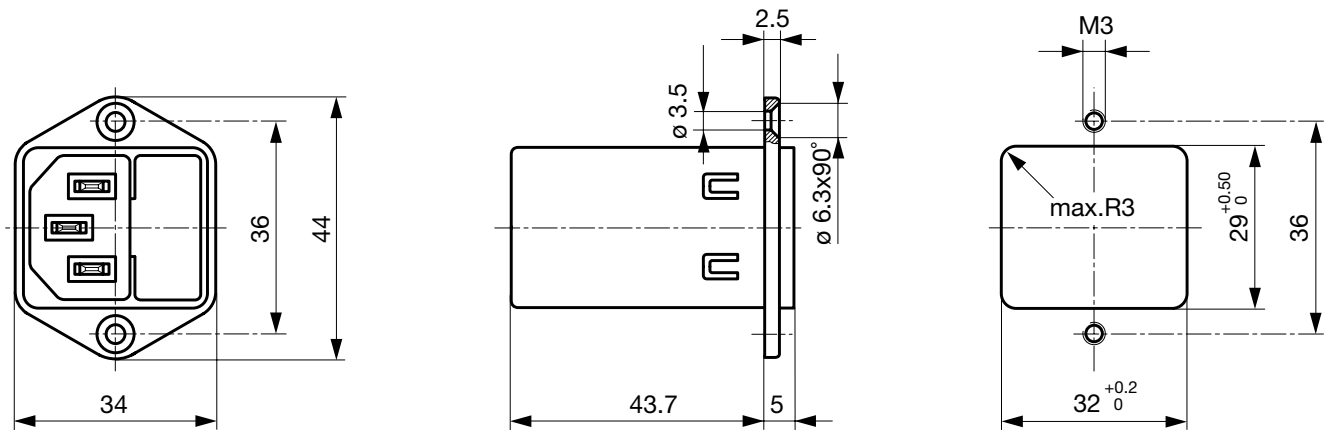
Technical Data

| | |
|---------------------------|---|
| Ratings IEC | 1 - 10A @ Ta 40 °C / 250VAC; 50Hz |
| Ratings UL/CSA | 1 - 10A @ Ta 40 °C / 125VAC; 60Hz |
| Leakage Current | standard < 0.5 mA (250 V / 60Hz) medical < 5 µA (250 V / 60 Hz) |
| Dielectric Strength | > 1.7 kVDC between L-N > 2.7 kVDC between L/N-PE Test voltage (2 sec) |
| Allowable Operation Temp. | -25 °C to 85 °C |
| Climatic Category | 25/085/21 acc. to IEC 60068-1 |
| Degree of Protection | from front side IP 40 acc. to IEC 60529 |
| Protection Class | Suitable for appliances with protection class I acc. to IEC 61140 |
| Terminal | Quick connect terminals 6.3 x 0.8 mm |
| Panel Thickness s | Screw: max 8 mm Mounting screw torque max 0.5Nm Snap-in: 0.8 mm to 3 mm |
| Material: Housing | Thermoplastic, black, UL 94V-0 |

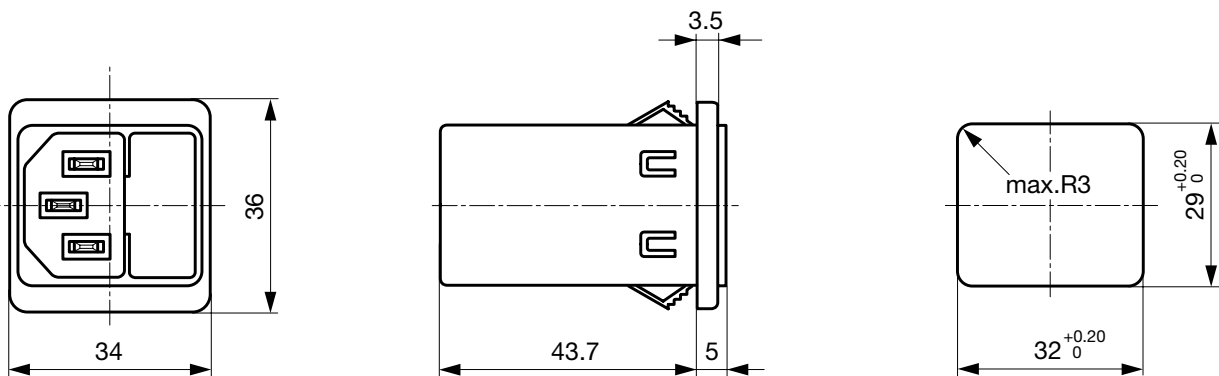
| | |
|-----------------------------------|--|
| Appliance-Inlet/-Outlet | C14 acc. to IEC 60320, UL 498, CSA C22.2 no. 42 (for cold conditions) pin-temperature 70 °C, 10A, Protection Class I |
| Fuseholder | 1-pole, Shocksafe category PC2 acc. to IEC 60127-6, for fuse-links 5 x 20 mm |
| Rated Power Acceptance @ Ta 23 °C | 5 x 20: 2W (1 pole) |
| Power Acceptance @ Ta > 23°C | Admissible power acceptance at higher ambient temperature see derating curves |
| Line Filter | Standard and Medical Version, IEC 60939, UL 1283, CSA C22.2 no. 8 Technical Details |
| MTBF | > 2'300'000h acc. to MIL-HB-217 F |

Dimension

Screw-on mounting type 5200



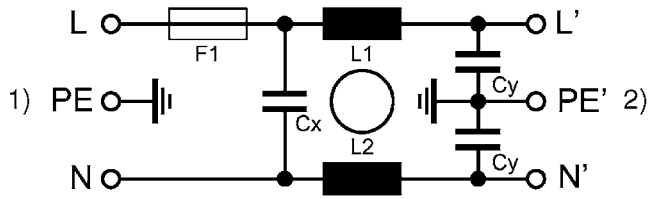
Snap-in mounting type 5200

**Technical Data of Filter-Components**

| Rated Current [A] | Filter-Type | Inductances L [mH] | Capacitance CX [nF] | Capacitance CY [nF] | R [MΩ] |
|-------------------|------------------------------|--------------------|---------------------|---------------------|--------|
| 1 | Standard Version | 2 x 11 | 47 | 2.2 | - |
| 2 | Standard Version | 2 x 4 | 47 | 2.2 | - |
| 4 | Standard Version | 2 x 1.6 | 47 | 2.2 | - |
| 6 | Standard Version | 2 x 0.7 | 47 | 2.2 | - |
| 8 | Standard Version | 2 x 0.6 | 47 | 2.2 | - |
| 10 | Standard Version | 2 x 0.4 | 47 | 2.2 | - |
| 1 | Medical Version (M5) | 2 x 11 | 47 | - | 1 |
| 2 | Medical Version (M5) | 2 x 4 | 47 | - | 1 |
| 4 | Medical Version (M5) | 2 x 1.6 | 47 | - | 1 |
| 6 | Medical Version (M5) | 2 x 0.7 | 47 | - | 1 |
| 8 | Medical Version (M5) | 2 x 0.6 | 47 | - | 1 |
| 10 | Medical Version (M5) | 2 x 0.4 | 47 | - | 1 |
| 10 | Standard and Medical Version | 2 x 11 | 47 | 2.2 | 1 |

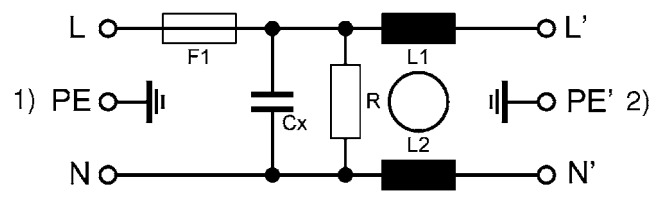
Diagrams

5200 Standard version



1) Line
2) Load

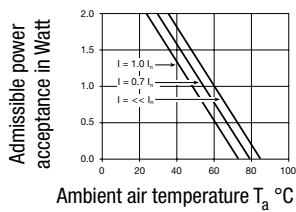
5200 Medical version



1) Line
2) Load

Derating Curves

1-pole

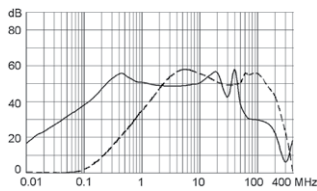


Attenuation Loss

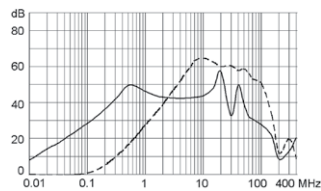
--- differential mode ____ common mode

Standard version

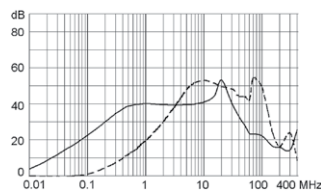
1 A



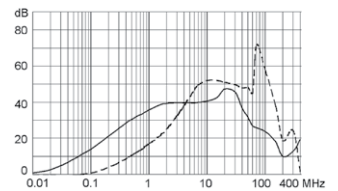
2 A



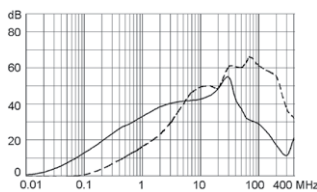
4 A



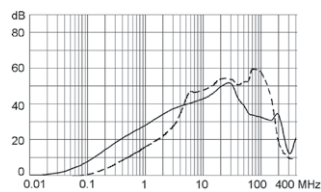
6 A



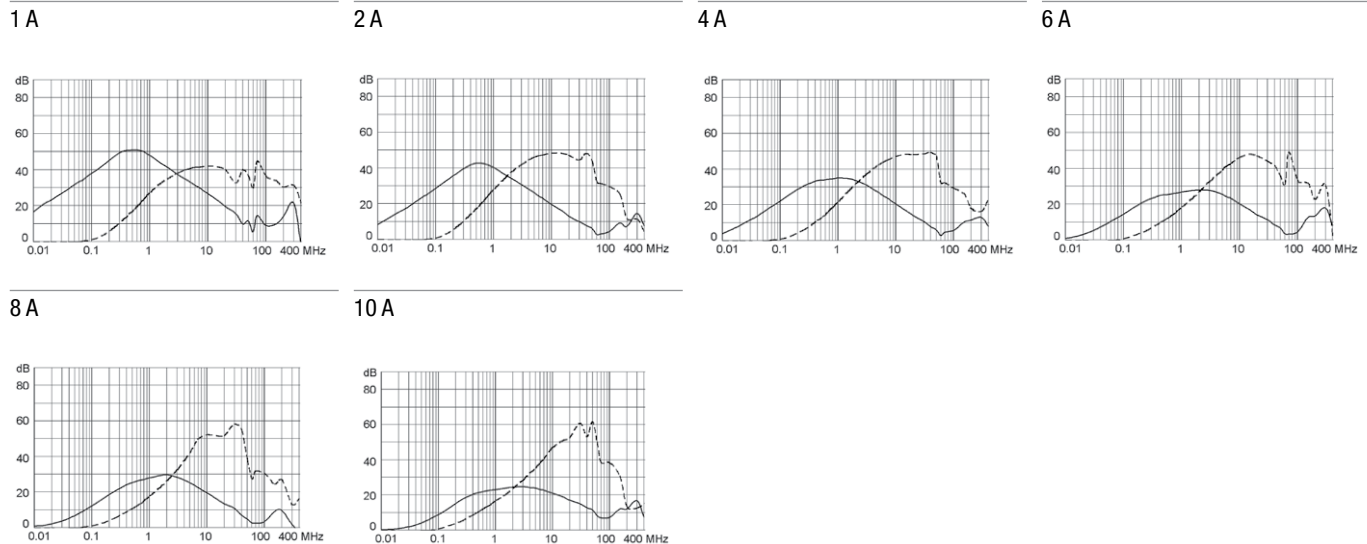
8 A



10 A



Medical version (M5)



All Variants

| Rated Current [A] | Filter-Type | Panel mounting | Fuseholder | Order Number | |
|-------------------|----------------------|----------------|------------|--------------|---|
| 1 | Standard Version | Snap-in | 1-pole | 5200.0143.1 | ■ |
| 2 | Standard Version | Snap-in | 1-pole | 5200.0243.1 | ■ |
| 4 | Standard Version | Snap-in | 1-pole | 5200.0443.1 | ■ |
| 6 | Standard Version | Snap-in | 1-pole | 5200.0643.1 | ■ |
| 8 | Standard Version | Snap-in | 1-pole | 5200.0843.1 | |
| 10 | Standard Version | Snap-in | 1-pole | 5200.1043.1 | ■ |
| 1 | Standard Version | Screw | 1-pole | 5200.0123.1 | ■ |
| 2 | Standard Version | Screw | 1-pole | 5200.0223.1 | ■ |
| 4 | Standard Version | Screw | 1-pole | 5200.0423.1 | ■ |
| 6 | Standard Version | Screw | 1-pole | 5200.0623.1 | ■ |
| 8 | Standard Version | Screw | 1-pole | 5200.0823.1 | |
| 10 | Standard Version | Screw | 1-pole | 5200.1023.1 | ■ |
| 1 | Medical Version (M5) | Snap-in | 1-pole | 5200.0143.3 | |
| 2 | Medical Version (M5) | Snap-in | 1-pole | 5200.0243.3 | |
| 4 | Medical Version (M5) | Snap-in | 1-pole | 5200.0443.3 | |
| 6 | Medical Version (M5) | Snap-in | 1-pole | 5200.0643.3 | |
| 8 | Medical Version (M5) | Snap-in | 1-pole | 5200.0843.3 | |
| 10 | Medical Version (M5) | Snap-in | 1-pole | 5200.1043.3 | |
| 1 | Medical Version (M5) | Screw | 1-pole | 5200.0123.3 | |
| 2 | Medical Version (M5) | Screw | 1-pole | 5200.0223.3 | |
| 4 | Medical Version (M5) | Screw | 1-pole | 5200.0423.3 | |
| 6 | Medical Version (M5) | Screw | 1-pole | 5200.0623.3 | |
| 8 | Medical Version (M5) | Screw | 1-pole | 5200.0823.3 | |
| 10 | Medical Version (M5) | Screw | 1-pole | 5200.1023.3 | |

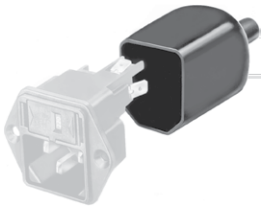
■ Most Popular.

Availability for all products can be searched real-time: <http://www.schurter.com/en/Stock-Check/Stock-Check-SCHURTER>

Packaging unit 10 Pcs

Accessories

Description



Assorted Covers
Rear Cover



Cord retaining kits
Cord retaining strain relief

Mating Outlets/Connectors

Category / Description



Appliance Outlet Overview complete

| | |
|---|------|
| IEC Appliance Outlet F, Screw-on Mounting, Front Side, Solder Terminal | 4787 |
| IEC Appliance Outlet F, Snap-in Mounting, Front Side, Solder or Quick-connect Terminal | 4788 |
| IEC Appliance Outlet F or H, Screw-on Mounting, Front Side, Solder, PCB or Quick-connect Terminal | 5091 |

[Appliance Outlet further types to 5200](#)



Connector Overview complete

| | |
|--|--------|
| IEC Connector C15A, Rewireable, Straight | 0102 |
| IEC Connector C15A, Rewireable, Straight | 0102-G |
| IEC Connector C15A, Rewireable, Angled | 0112 |
| IEC Connector C13, Rewireable, Angled | 4012 |
| IEC Connector C13, Rewireable, Straight | 4022 |

[Connector further types to 5200](#) ...