

# Axial DC Fans

## Ball Bearing, 60mm × 60mm × 25mm



### Mechanical Characteristics

Part Number	MC011494	MC011519
Motor Design	2 phases, 4-poles Brushless DC motor	
Bearing System	Precision ball bearing system	
Dimensions	60mm × 60mm × 25mm	
Materials of Frame	Thermoplastic PBT of UL94V-0	
Materials of Fan Blade	Thermoplastic PBT of UL94V-0	
Direction of Rotation	Counter-clockwise viewed from front of fan blade	
Mounting Holes	Diameter 4.3mm in 8 holes	
Weight	52g	

### Electrical Characteristics

Part Number	MC011494	MC011519
Rated Voltage	12V DC	24V DC
Rated Current	0.94W / Max. 1.08W	47mA / Max. 55mA
Rated Power Consumption	-	1.13W / Max. 1.32W
Operating Voltage Range	6V DC to 13.8V DC	12V DC to 27.6V DC
Starting Voltage	6V DC (25°C Power ON/OFF)	12V DC (25°C Power ON/OFF)
Operating Temperature Range	-10°C to +70°C	
Storage Temperature Range	-40°C to +80°C	-40°C to +70°C

### Performance Characteristics

Part Number	MC011494	MC011519
Rated Speed	3800 RPM ±15% @ Rated Voltage	
Air Flow	19.3 CFM	
Static Pressure	0.15 Inch-H <sub>2</sub> O	
Acoustic Noise	30 dB(A)	
Insulation Class	UL Class A	
Insulation Resistance Plastic Housing	10MΩ @ 500V DC between Internal Stator and Lead Wire (+)	
Dielectric Strength	Applied AC 500V for one minute or AC 600V for 2 Seconds between Housing and Lead Wire (+)	
Life Expectancy	70,000 hours @ 40°C, 65% humidity, 90% CL	
Protection	Automatic Restart Note: In a situation where the fan is locked by an external force while the electricity is on, an increase in coil temperature will be prevented by temporarily turning off the electrical power to the motor. The fan will automatically restart when the locked rotor condition is released. Polarity Protection	



# Axial DC Fans

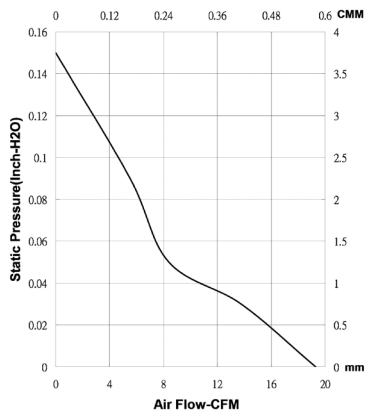
## Ball Bearing, 60mm × 60mm × 25mm



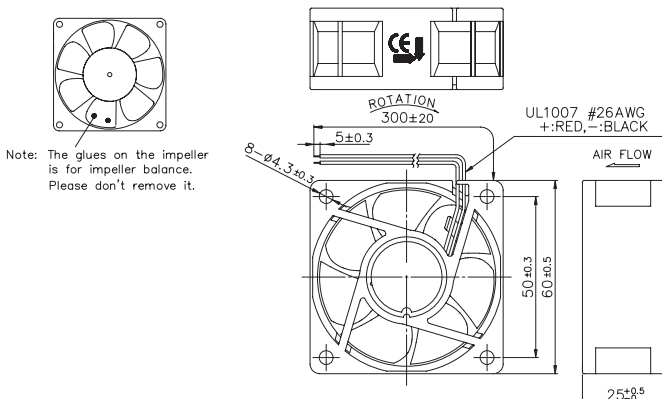
### Safety

UL	CUR	TUV	CE
E77551	E77551	✓	✓

### Performance Curve



### Dimensions



Dimensions : Millimetres

### Part Number Table

Description	Dimensions	Part Number
Axial DC Fan, 12V, Ball, 3800 RPM, 2 Wires	60mm×60mm×25mm	MC011494
Axial DC Fan, 24V, Ball, 3800 RPM, 2 Wires		MC011519

**Important Notice :** This data sheet and its contents (the "Information") belong to the members of the AVNET group of companies (the "Group") or are licensed to it. No licence is granted for the use of it other than for information purposes in connection with the products to which it relates. No licence of any intellectual property rights is granted. The Information is subject to change without notice and replaces all data sheets previously supplied. The Information supplied is believed to be accurate but the Group assumes no responsibility for its accuracy or completeness, any error in or omission from it or for any use made of it. Users of this data sheet should check for themselves the Information and the suitability of the products for their purpose and not make any assumptions based on information included or omitted. Liability for loss or damage resulting from any reliance on the Information or use of it (including liability resulting from negligence or where the Group was aware of the possibility of such loss or damage arising) is excluded. This will not operate to limit or restrict the Group's liability for death or personal injury resulting from its negligence. Multicomp is the registered trademark of Premier Farnell Limited 2019.

Newark.com/exclusive-brands  
 Farnell.com/exclusive-brands  
 Element14.com/exclusive-brands

