

Common mode Noise Filters

Type: **EXC34CG/CE**



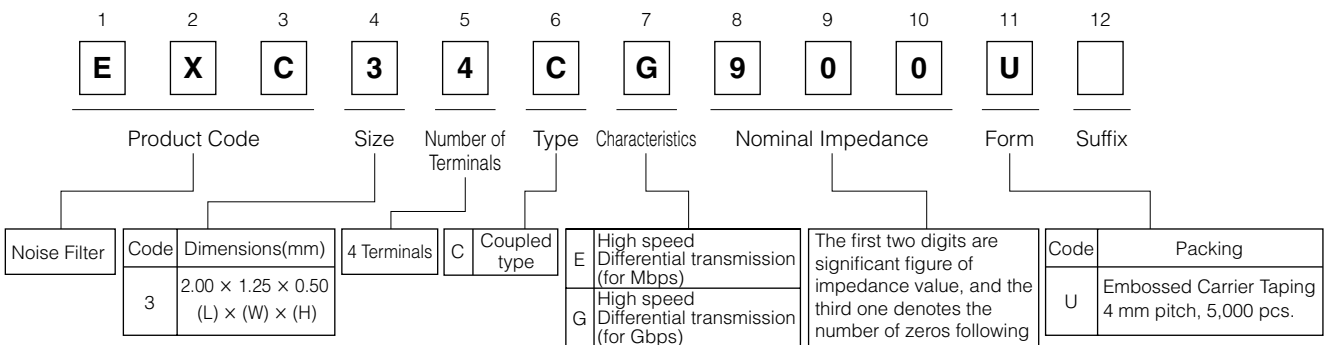
■ Features

- Low-profile
(L 2.0 mm×W 1.25 mm×H 0.50 mm)
- Filtering the noise of high-speed differential signaling lines and minimizing deformations of transmitted signal waveforms
- Rigid multi-layer sintered structure with high resistance to reflow heat and mounting reliability
- Lead, halogen, and antimony free
- RoHS compliant

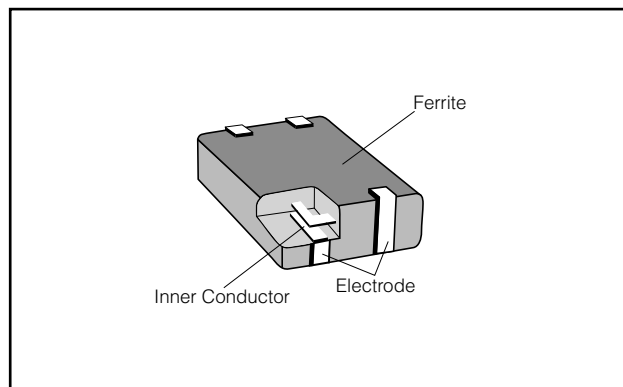
■ Recommended Applications

- Digital AV equipment (TV, Digital displays, DVD) Information equipment (PCs, HDD)
- Interface examples
USB, LVDS, HDMI, LAN

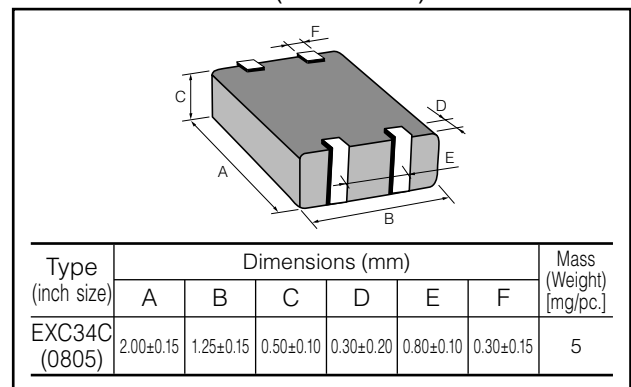
■ Explanation of Part Numbers



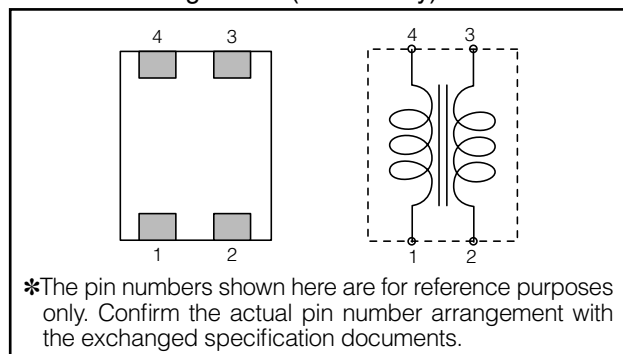
■ Construction



■ Dimensions in mm (not to scale)



■ Circuit Configuration (No Polarity)

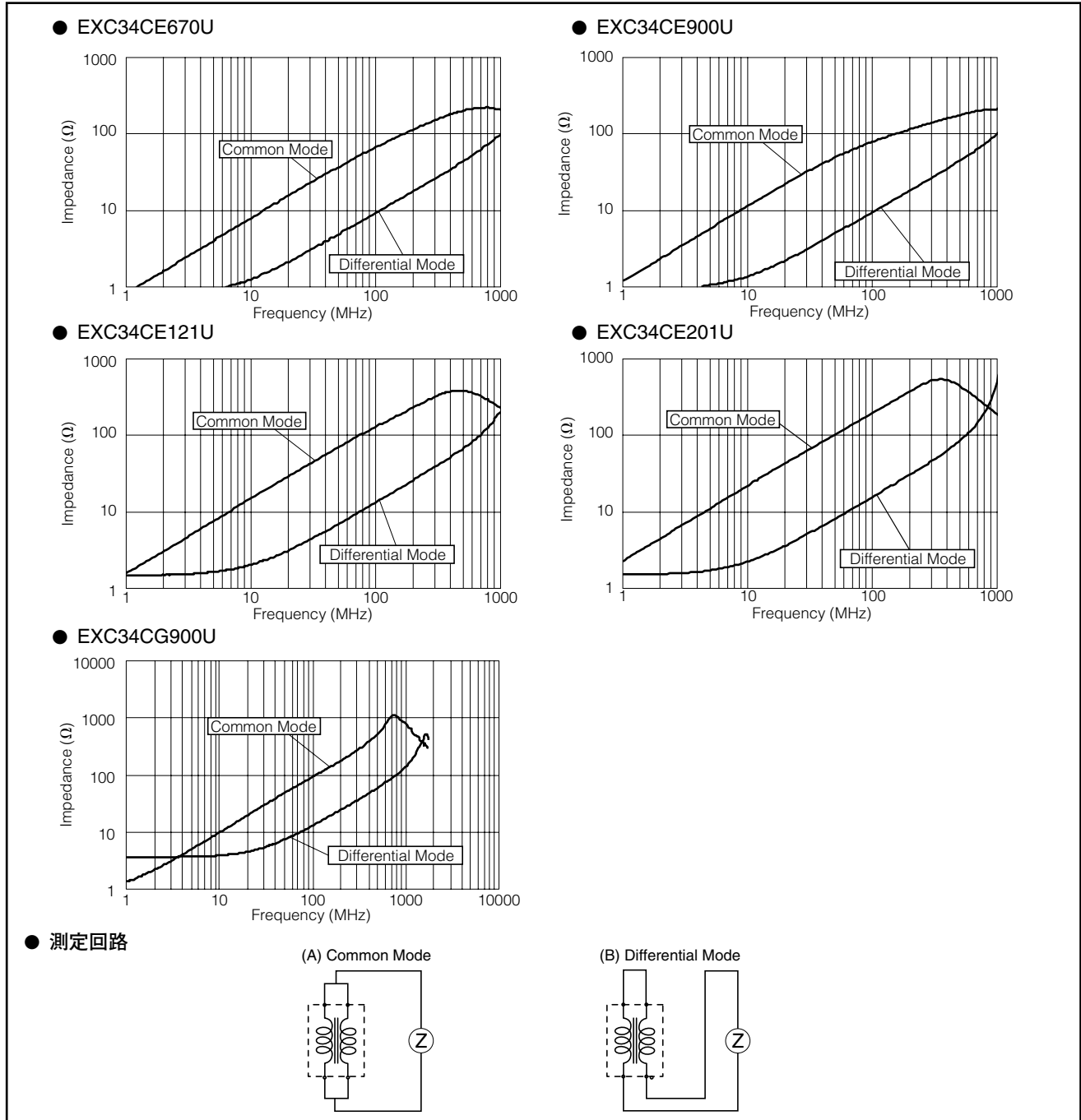


■ Ratings

Part Number	Impedance (Ω) at 100MHz	Rated Current (mA DC)	Rated Voltage (V DC)	Insulation Resistance ($M\Omega$ min.)	Withstand Voltage (V DC)	DC Resistance (Ω)max.
	Common Mode					
EXC34CE670U	67 $\Omega \pm 25\%$	250	5	10 $M\Omega$	125	0.8
EXC34CE900U	90 $\Omega \pm 25\%$	250	5	10 $M\Omega$	125	0.8
EXC34CE121U	120 $\Omega \pm 25\%$	200	5	10 $M\Omega$	125	1.0
EXC34CE201U	200 $\Omega \pm 25\%$	200	5	10 $M\Omega$	125	1.0
EXC34CG900U	90 $\Omega \pm 25\%$	100	5	10 $M\Omega$	125	3.0

● Category Temperature Range $-40\text{ }^{\circ}\text{C}$ to $+85\text{ }^{\circ}\text{C}$

■ Impedance Characteristics (Typical)



■ Packaging Methods, Land Pattern, Soldering Conditions and Safety Precautions

Please see Related Information