



Split Banding Ring

Rugged, Lightweight, 2-piece Snap Lock Side Entry Shield Termination Device

Split Banding Ring

Rugged, Lightweight, 2-piece Snap Lock Side Entry Shield Termination Device



RUGGED

- Utilizes high performance engineering plastic
- Mechanical strength helps to protect cable bundle from physical damage

VERSATILE

- Utilizes band straps or in combination with various solder devices and heat shrink molded shapes

EFFICIENT

- 2 Piece snap lock design is quick and simple to install

RELIABLE

- When used with TE's band strap, it offers both a highly reliable electrical termination as well as an outstanding mechanical joint

FULLY COMPLIANT

- Meets performance requirements of SAE AS-85049/93

Description

TE Connectivity's (TE) Split Banding Ring provides a lightweight, rugged, reliable electrical termination where braid sock, individual or a combination of screen braids are required to be terminated away from the backshell.

The 2-piece design uses a high performance engineering plastic that snaps together providing an excellent mechanical joint, including protection of the cable harness under the terminated area.

Its versatility allows the use of TE's standard band strap as well as strain relief and shield termination products, including solder devices and heat shrink molded shapes.

APPLICATIONS/MARKETS SERVED

- Military Avionics
- Commercial Avionics
- Military Ground Vehicles
- C4ISR
- Radar Systems

ENVIRONMENTAL

- **Temperature Range:** -65°C to +175°C

MATERIALS

- Lightweight rugged engineering plastic

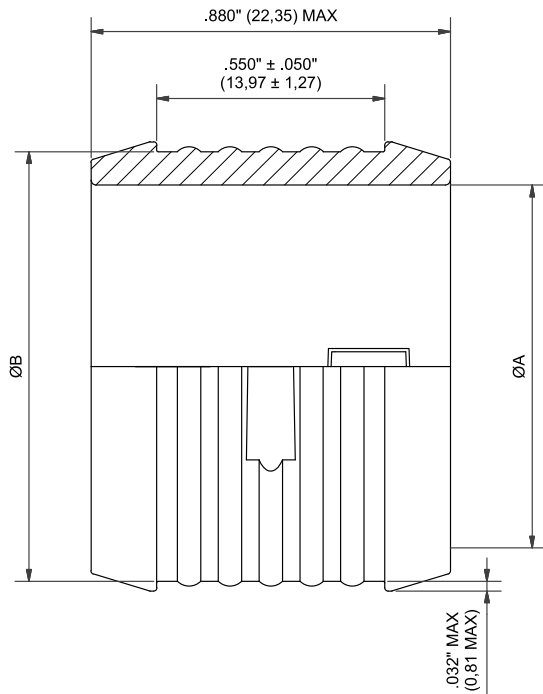
STANDARDS

- **MIL Spec:** SAE AS 85049/93
- **Product Spec:** BND93

TE Components . . . TE Technology . . . TE Know-how . . .

AMP | AGASTAT | CII | HARTMAN | KILOVAC | MICRODOT | NANONICS | POLAMCO | Raychem
SEACON | Rochester | DEUTSCH

Empower Engineers to Solve Problems, Moving the World Forward.



QPL PART NUMBER:
(QUALIFICATION PENDING)

M85049/93-10

SERIES _____
DASH NUMBER _____

INTERNAL TE PART NUMBER:

BND-SR-10

SERIES _____
DASH NUMBER _____

QPL PART NUMBER

TE PART NUMBER

DIMENSIONS

Dash Number	Part Number	Description	Part Number	Description	ØA	ØB
04	EM6341-000	M85049/93-04	AAE3171-00	BND-SR-04	.250" (6.35)	.390" (9.90)
06	EM6342-000	M85049/93-06	AAE3172-00	BND-SR-06	.375" (9.52)	.515" (13.10)
08	EM6343-000	M85049/93-08	AAE3173-00	BND-SR-08	.500" (12.70)	.640" (16.30)
10	EM6344-000	M85049/93-10	AAE3174-00	BND-SR-10	.625" (15.88)	.770" (19.60)
12	EM6345-000	M85049/93-12	AAE3175-00	BND-SR-12	.750" (19.05)	.903" (22.90)
14	EM6347-000	M85049/93-14	AAE3176-00	BND-SR-14	.875" (22.22)	1.043" (26.50)
16	EM6348-000	M85049/93-16	AAE3177-00	BND-SR-16	1.000" (25.40)	1.173" (29.80)
18	EM6349-000	M85049/93-18	AAE3178-00	BND-SR-18	1.125" (28.58)	1.310" (33.30)

LET'S CONNECT

We make it easy to connect with our experts and are ready to provide all the support you need. Just call your local support number or visit te.com to chat with a Product Information Specialist.

Technical Support

te.com/support-center

North America	+1 800 522 6752	Asia Pacific	+86 400 820 6015
North America (Toll)	+1 717 986 7777	Japan	+81 044 844 8180
EMEA/South Africa	+800 0440 5100	Australia	+61 2 9554 2695
EMEA (Toll)	+31 73 624 6999	New Zealand	+64 (0) 9 634 4580
India (Toll-Free)	+800 440 5100		

te.com/split-banding-ring

AMP, AGASTAT, CII, DEUTSCH, HARTMAN, KILOVAC, MICRODOT, NANONICS, POLAMCO, Raychem, SEACON, TE, TE Connectivity and the TE connectivity (logo) are trademarks owned or licensed by TE Connectivity. Other products, logos, and company names mentioned herein may be trademarks of their respective owners.

While TE Connectivity (TE) has made every reasonable effort to ensure the accuracy of the information herein, nothing herein constitutes any guarantee that such information is error-free, or any other representation, warranty or guarantee that the information is accurate, correct, reliable or current. The TE entity issuing this publication reserves the right to make any adjustments to the information contained herein at any time without notice. All implied warranties regarding the information contained herein, including, but not limited to, any implied warranties of merchantability or fitness for a particular purpose are expressly disclaimed. The dimensions herein are for reference purposes only and are subject to change without notice. Specifications are subject to change without notice.

Consult TE for the latest dimensions and design specifications.

© 2019 TE Connectivity All Rights Reserved.

2354456-1 04/19