

Product / Process Change Notification (PCN)

- Major change
 Minor change

PCN #: PCN_AbsLT_20200227

Affected Series: WE-LT; 3020505

PCN Date: January 27, 2020

Effective Date: February 27, 2020

Change Category:

- Equipment / Location
 General Data
 Material
 Process
 Product Design
 Shipping / Packaging
 Supplier
 Software

Contact: Product Management

Phone: +49 (0) 7942 - 945 5001

Fax: +49 (0) 7942 - 945 5179

E-Mail: pcn.eisos@we-online.com

Data Sheet Change:

- Yes No

Attachment:

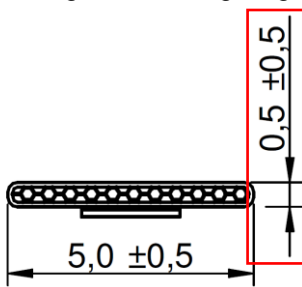
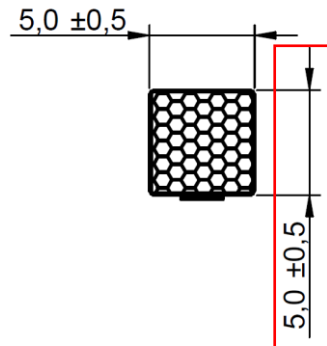
- Yes No

DESCRIPTION AND PURPOSE OF CHANGE:

As a datasheet information correction, Würth Elektronik will correct the drawing (shape and dimension) of the datasheet from the WE-LT, PN 3020505.

This is a datasheet correction only. There will be no change in form, fit, function, quality or reliability of the product.

DETAIL OF CHANGE:

Before correction	After correction
<p>The original drawing had a wrong height.</p> 	<p>The correction consist on the modification of the height.</p> 

RELIABILITY / QUALIFICATION SUMMARY:

There will be no change of the product, therefore no additional reliability or qualification testing will be performed.