

# Pluggable Terminal Block-Plug 5.08mm Pitch

**multicomp** PRO

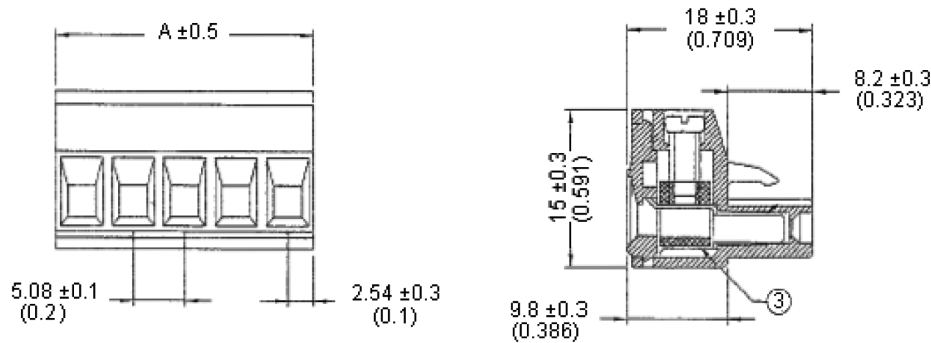
**RoHS  
Compliant**



## Specifications

Rated Voltage	: 300V AC
Rated Current	: 16A
Wire Size	: 24 AWG to 12 AWG
Housing Material	: Polyamide 66
Cage Clamp	: Brass, Ni plated
Contact	: Phosphor bronze, tin plated
Screw Size	: M3, steel, zinc plated
Operating Temperature	: -40°C to +105°C
Torque	: 7 lb-inch

## Diagram

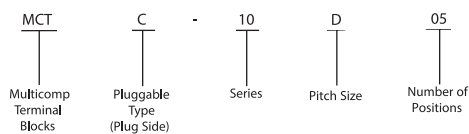


Dimensions : Millimetres (Inches)

## Part Number Table

Description	A (mm)	A (Inch)	Part Number
Pluggable Terminal Block-Plug 5.08mm Pitch	25.4	1	MCTC-10D05
	30.5	1.2	MCTC-10D06
	35.6	1.4	MCTC-10D07
	40.6	1.6	MCTC-10D08
	45.7	1.8	MCTC-10D09
	50.8	2	MCTC-10D10
	55.9	2.2	MCTC-10D11
	61	2.4	MCTC-10D12

## Part Number Explanation



Pitch Size : D = 5.08mm  
 Number of Positions : 02 = 2, 03 = 3, 04 = 4, 05 = 5,  
 06 = 6, 07 = 7, 08 = 8, 09 = 9,  
 10 = 10, 11 = 11 and  
 12 = 12 Positions

**Important Notice** : This data sheet and its contents (the "Information") belong to the members of the AVNET group of companies (the "Group") or are licensed to it. No licence is granted for the use of it other than for information purposes in connection with the products to which it relates. No licence of any intellectual property rights is granted. The Information is subject to change without notice and replaces all data sheets previously supplied. The Information supplied is believed to be accurate but the Group assumes no responsibility for its accuracy or completeness, any error in or omission from it or for any use made of it. Users of this data sheet should check for themselves the Information and the suitability of the products for their purpose and not make any assumptions based on information included or omitted. Liability for loss or damage resulting from any reliance on the Information or use of it (including liability resulting from negligence or where the Group was aware of the possibility of such loss or damage arising) is excluded. This will not operate to limit or restrict the Group's liability for death or personal injury resulting from its negligence. Multicomp Pro is the registered trademark of Premier Farnell Limited 2019.

Newark.com/multicomp-pro  
 Farnell.com/multicomp-pro  
 Element14.com/multicomp-pro

**multicomp** PRO