

1443997-2 ✓ ACTIVE

TE Internal #: 1443997-2

Other Hard Wired Boxes, Relay Holder, 30 Fuses (Maximum), 280

Plug-In, 8 Relays (Maximum), 27 / 60 / 49 Position

[View on TE.com >](#)



Connectors > Automotive Connectors > Power Distribution Boxes > Other Hard Wired Boxes > SEALED FUSE & RELAY BOXES



Component Type: **Relay Holder**

Number of Fuses (Maximum): **30**

Compatible With Relay Type: **280 Plug-In**

Number of Relays (Maximum): **8**

Number of Positions: **27, 38, 49, 60**

[All SEALED FUSE & RELAY BOXES \(7\)](#)

Features

Product Type Features

Component Type	Relay Holder
Compatible With Relay Type	280 Plug-In
Sealable	Yes

Configuration Features

Number of Fuses (Maximum)	30
Number of Relays (Maximum)	8
Number of Positions	27, 38, 49, 60

Electrical Characteristics

Nominal Voltage Architecture	12 V, 24 V
------------------------------	------------

Body Features

Secondary Locking	No
-------------------	----

Contact Features

Contact Current Rating (Max)	20 A
------------------------------	------



Housing Features

Centerline (Pitch)	7.8 mm, 8.13 mm [.307 in] [.32 in]
--------------------	------------------------------------

Usage Conditions

Operating Temperature (Max)	125 °C [257 °F]
Operating Temperature Range	-40 – 125 °C, -40 – 125 °C [-40 – 257 °F] [-40 – 257 °F]

Industry Standards

IP Rating	IP67
-----------	------

Product Compliance

For compliance documentation, visit the product page on [TE.com](#)>

EU RoHS Directive 2011/65/EU	Compliant
EU ELV Directive 2000/53/EC	Compliant
China RoHS 2 Directive MIIT Order No 32, 2016	No Restricted Materials Above Threshold
EU REACH Regulation (EC) No. 1907/2006	Current ECHA Candidate List: JAN 2021 (211) Candidate List Declared Against: JAN 2018 (181) SVHC > Threshold: Not Yet Reviewed
Halogen Content	Not Low Halogen - contains Br or Cl > 900 ppm.
Solder Process Capability	Not applicable for solder process capability

Product Compliance Disclaimer

This information is provided based on reasonable inquiry of our suppliers and represents our current actual knowledge based on the information they provided. This information is subject to change. The part numbers that TE has identified as EU RoHS compliant have a maximum concentration of 0.1% by weight in homogenous materials for lead, hexavalent chromium, mercury, PBB, PBDE, DBP, BBP, DEHP, DIBP, and 0.01% for cadmium, or qualify for an exemption to these limits as defined in the Annexes of Directive 2011/65/EU (RoHS2). Finished electrical and electronic equipment products will be CE marked as required by Directive 2011/65/EU. Components may not be CE marked. Additionally, the part numbers that TE has identified as EU ELV compliant have a maximum concentration of 0.1% by weight in homogenous materials for lead, hexavalent chromium, and mercury, and 0.01% for cadmium, or qualify for an exemption to these limits as defined in the Annexes of Directive 2000/53/EC (ELV). Regarding the REACH Regulation, the information TE provides on SVHC in articles for this part number is based on the latest European Chemicals Agency (ECHA) 'Guidance on requirements for substances in articles' posted at this URL: <https://echa.europa.eu/guidance-documents/guidance-on-reach>

Compatible Parts




TE Part # 1443996-4
COVER, 60 POS, W/O FUSE HLDR/NO EXT TEXT



TE Part # 2098164-4
Cover, 60 Pos, No Fuse Graphic or Holder



TE Part # 1443996-1
COVER, 60 POSITION



TE Part # 1443996-3
COVER, 60 POSITION - NO EXTERIOR TEXT



TE Part # CAT-AM705-T273
AMP MCP, RECEPTACLE AND TAB



TE Part # 1-1579007-2
EXTRACTION TOOL



TE Part # 1443996-2
COVER, 60 POS, W/O FUSE HOLDER



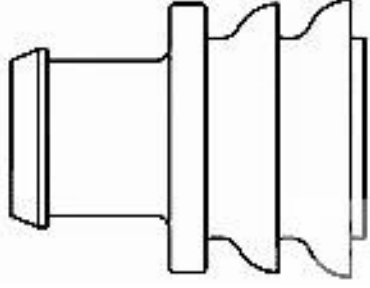
TE Part # 828922-1
2,5MM CAVITY PLUG FOR 5,4MM DI



TE Part # 828905-1
SINGLE-WIRE-SEAL(5MM HOLE)



TE Part # 828904-1
SINGLE WIRE SEAL FOR J.P.T.CON



TE Part # 282536-1
S.WAY SEAL F.JPT CONTACT 2.5MM



TE Part # 1443998-1
FUSE PULLER



TE Part # 2098164-1
Cover, 60 Position PDM



TE Part # 2098164-2
Cover, 60 Position PDM, No Fuse Holder



TE Part # 2098164-3
Cover, 60 Pos, No Top Side Fuse Graphic

Customers Also Bought



TE Part # 1443996-3
COVER, 60 POSITION - NO EXTERIOR TEXT



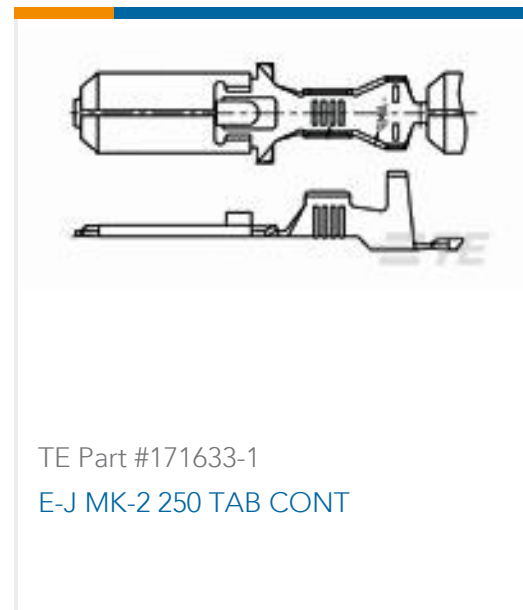
TE Part # 1544606-1
TAB HOUSING, 8MM NG1, 1 WAY



TE Part # 1011-232-0305
BKSHL, 3P, BLK, PLG, RA, NW6/7.5/8.5 /10



TE Part # W2SD-P012
WEDGE LOCK, 2P, PLG, BRN, SL RET, DT, D



Documents

Product Drawings

BASE ASSEMBLY, 60 POSITION, BB

English

CAD Files

3D PDF

3D

Customer View Model

[ENG_CVM_CVM_1443997-2_GN.2d_dxf.zip](#)

English

Customer View Model

[ENG_CVM_CVM_1443997-2_GN.3d_igs.zip](#)

English

Customer View Model

[ENG_CVM_CVM_1443997-2_GN.3d_stp.zip](#)

English

By downloading the CAD file I accept and agree to the [Terms and Conditions](#) of use.

Datasheets & Catalog Pages

ICT Fuse and Relay Enclosures

English

Product Specifications

Product Specification

English