



Product Change Notification

Date Issued :	November 14, 2022	PCN Number :	512909
Reason for Change :	Capacity change or tool replacement		
Description of Change :	This notice is to inform you that Molex Lincoln Nebraska is adding additional tooling that will affect the product listed. New tooling will be exact replica of current tooling. There will be no change to the product Fit, Form, Function or Appearance when compared to current tooling.		
Reason for Short Notice :	Capacity Increase		
Assessment of Change :	First Article Inspection		
Planned Implementation Date :	February 24, 2023		
Sample Availability Date:	December 16, 2022		
Internal Molex Qualification Date :	January 20, 2023		
Last date to request Samples by Customer :	January 16, 2023		
Traceability Code Markings / Date :	Product made after planned implementation date can contain the change		

Before Picture

- 5566-02
- Mini-Fit Jr

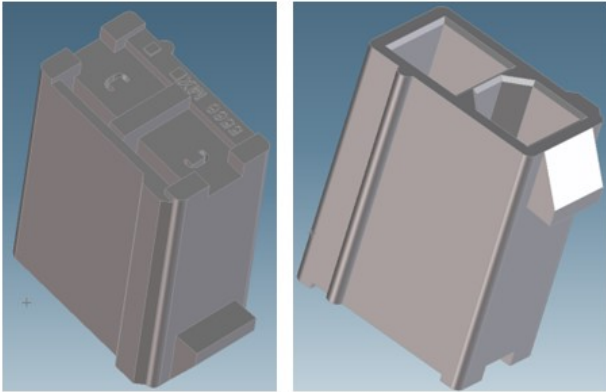


Photo is used as representation of product only. Mini-Fit Jr may come in different circuit sizes and colors

After Picture

Overview

- To ensure exceptional delivery, Molex Lincoln, Nebraska is going to add tooling which produces the affected part numbers
 - New tooling will be an exact replica of current tooling
 - Tooling being added to keep up with current and future demand
- There is NO impact to Fit, Form or Function
- Samples available upon request after date shown above
- Part Numbers Impacted
 - See attached list

RELEASED

You may address inquiries regarding this PCN by clicking on the below link
mailto:pcn_coordinator@molex.com?subject=PCN_Notification:512909
or contact your Local Sales Engineer.

Note: While responding, please retain " PCN Notification : **PCN Notification: 512909** " in the e-mail Subject line for faster response.

[Molex, LLC](#)
2222 Wellington Court
Lisle, IL 60532
TEL (800) 786-6539
www.molex.com