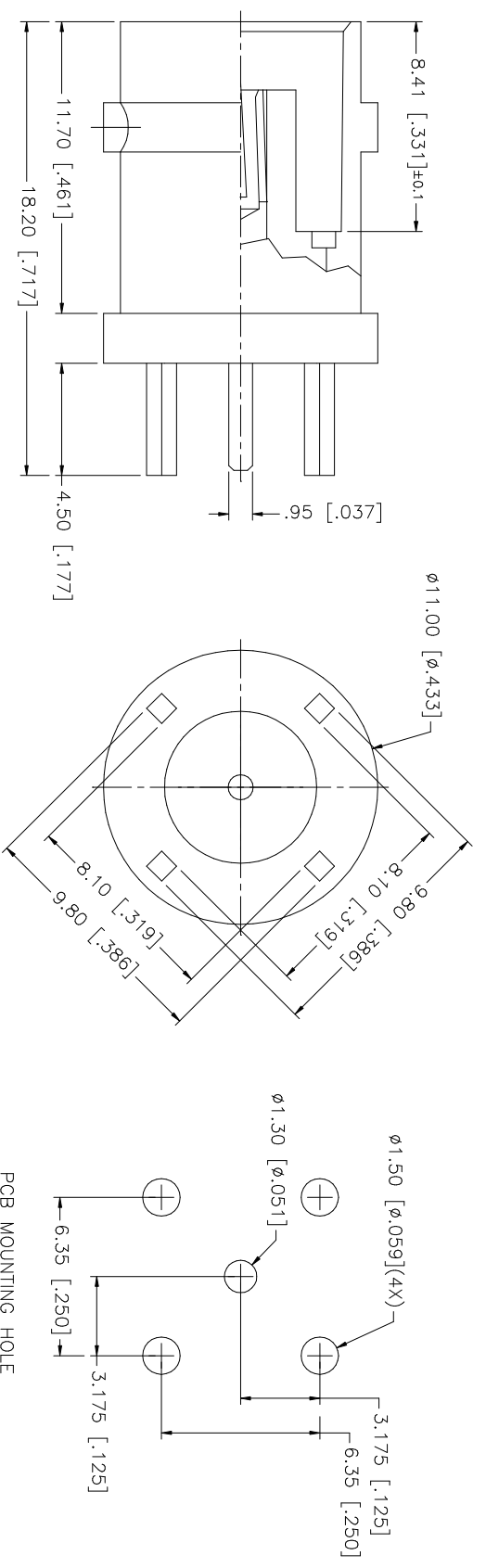


REV.	DATE	DESCRIPTION
A	01/06/03	UPDATE DRAWING FORMAT



DESCRIPTION	MATERIAL	FINISH	QTY
1	BRASS	NICKEL	1
2	TEFLON	NATURAL	1
3	PHOS. BRONZE	GOLD	1
4	BRASS	NICKEL	1

UNLESS OTHERWISE SPECIFIED DIMENSIONS ARE IN INCHES AND FOR CUSTOMER REFERENCE ONLY.	UNLESS OTHERWISE SPECIFIED DIMENSIONS ARE IN MILLIMETERS AND FOR CUSTOMER REFERENCE ONLY.
UNLESS OTHERWISE SPECIFIED TOLERANCES FOR MILLIMETERS ARE:	UNLESS OTHERWISE SPECIFIED TOLERANCES FOR INCHES ARE:
0.5 - 8mm ± 0.20mm	.020 - .315 = ± 0.007"
8 - 30mm ± 0.40mm	.315 - 1.180 = ± 0.015"
30 - 120mm ± 0.50mm	1.180 - 4.724 = ± 0.020"

APPROVALS	DATE
DRAWN G.R.S.	01/06/03
CHECKED	
ISSUED	

PART DESCRIPTION	PART NO.	DWG. NO.	REV.	SIZE	SCALE
BNC P.C. MOUNT RECEIPT JACK	112404	112404.DWG	A	A	NA

CAD FILE	SHEET	OF
C:/112/112404.DWG	1	1

DO NOT SCALE DRAWING

**Amphenol Connex**