

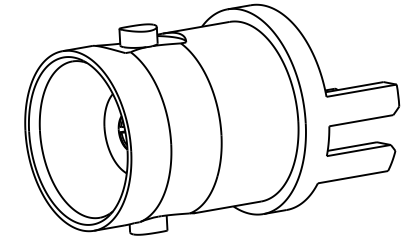
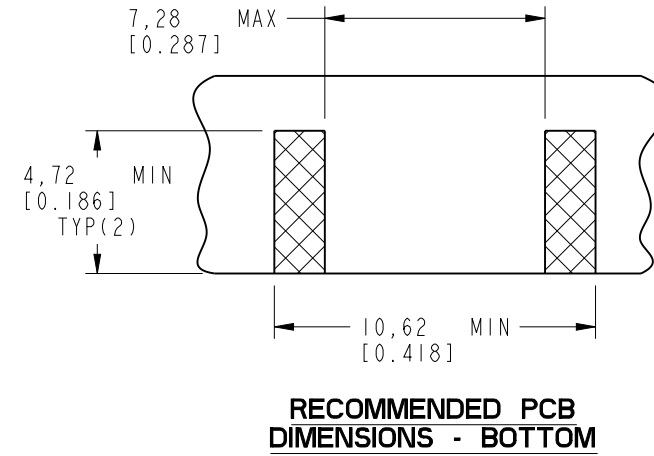
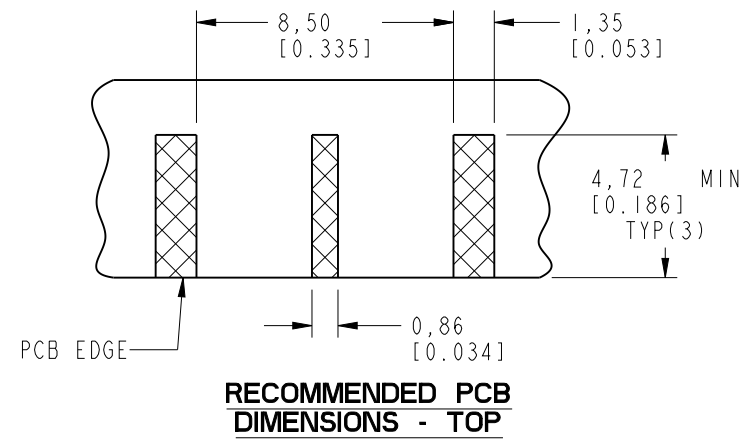
NOTES:

1. MATERIALS AND FINISHES:
 BODY - BRASS, NICKEL PLATING
 CONTACT - PHOSPHOR BRONZE, GOLD PLATING
 INSULATOR - PTFE, NATURAL
2. ELECTRICAL:
 A. IMPEDANCE: 50 OHM
 B. FREQUENCY RANGE: DC - 4 GHz
 C. VSWR(RETURN LOSS): 1.30 MAX.
 D. RF LEAKAGE: 55 dB MIN. @ 3 GHz
 E. INSULATION RESISTANCE: 5000 MΩ MIN
3. MECHANICAL:
 A. DURABILITY: 500 CYCLES MIN.
 B. TEMPERATURE RANGE: -65° C TO +165° C

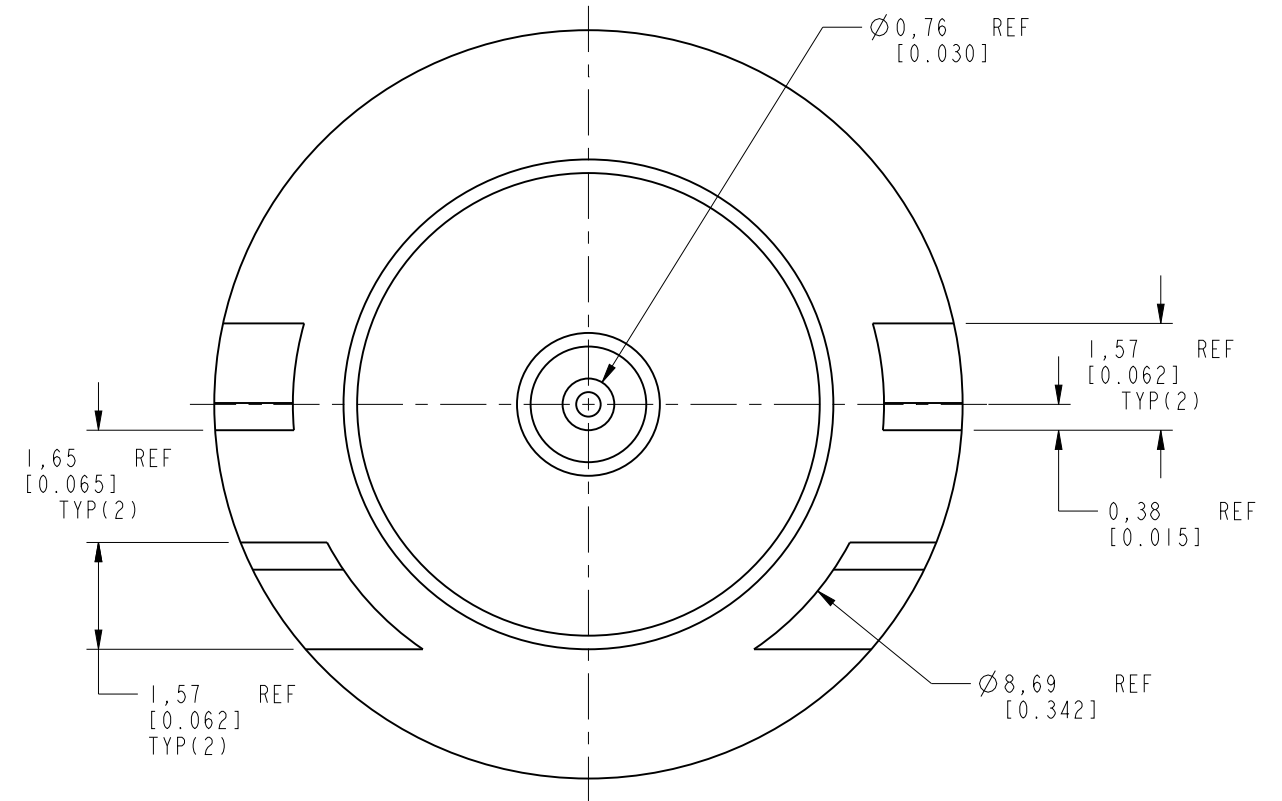
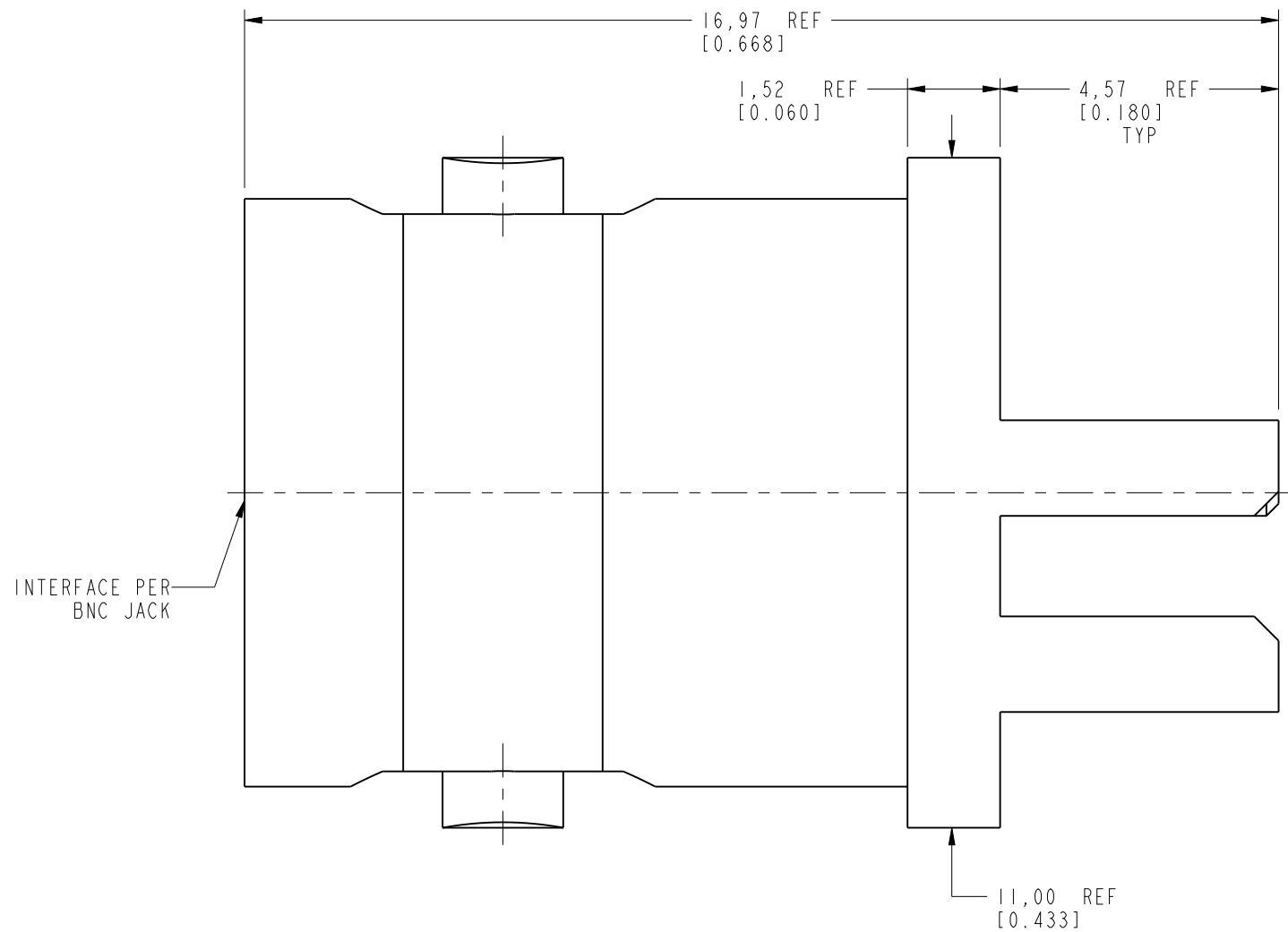
THIRD ANGLE PROJ.

REVISIONS

REV	DESCRIPTION	DATE	ECO	APPR
--	RELEASE TO MFG.	--	--	--
B	NOTES ADDED	12-Jun-08	100028	--
C	REDRAWN IN PRO-E & COD SHEET ADDED	18-May-15	50540	NR



SCALE 2.500



CUSTOMER OUTLINE DRAWING

ALL OTHER SHEETS ARE FOR INTERNAL USE ONLY

UNLESS OTHERWISE SPECIFIED, DIMENSIONS ARE IN METRIC AND TOLERANCES ARE: <0.5mm ±0.05mm 0.5 - 6mm ±0.1mm 6 - 30mm ±0.2mm 30 - 120mm ±0.3mm ANGLES ±1° NOTICE - These drawings, specifications, or other data (1) are, and remain the property of Amphenol corp. (2) must be returned upon request; and (3) are confidential and not to be disclosed to any person other than those to whom they are given by Amphenol Corp. the furnishing of these drawings, specifications, or other data by Amphenol Corp., or to any other person to anyone for any purpose is not to be regarded by implication or otherwise in any manner licensing, granting rights to permitting such holder or any other person to manufacture, use or sell any product, process or design, patented or otherwise, that may in any way be related to or disclosed by said drawings, specifications, or other data.	MATERIAL	DRAWN STAR	DATE 18-May-15	TITLE BNC STR JACK EDGE MOUNT RECEPTACLE		Amphenol Connex	
	REFERENCE B625100-006-NT3G-50	ENGINEER K.CAPOZZI	DATE 07-May-15				
	CONFIGURATION LEVEL: In Work	APPROVED S.HSIEH	DATE 18-May-15	SHEET 3 OF 3	ITEM NO.		
	FINISH	CAD FILE	DWG SIZE B	REV C	PART NO. 112640		