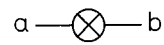


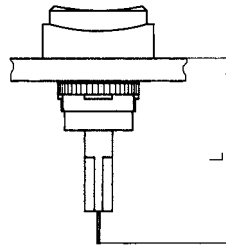
Indicators



Circuit diagram



Dimension



TI2

Panel cut-out (mm)	Ø 16.2 or Ø 22.5
Characteristics	<ul style="list-style-type: none"> ■ illuminated ■ sealed IP40, IP65 or IP67 ■ wide range of bezels ■ midget grooved lamp/LED
Rating	max. 60 VAC / VDC
Dimensions (mm)	18 × 24 18 × 18 Ø 18 Ø 25
Actuator	■ lenses in different shapes and colors
Approvals	UL, CSA, VDE

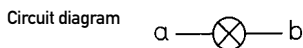


Popular products

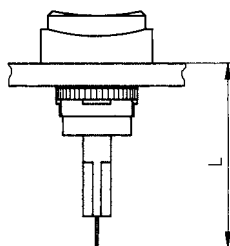
Ordering Reference	Panel cut-out (mm)	Function	Actuator style (mm)	Environmental Protection
TI21VAAF4CN	Ø 16.2	Visual	18 × 24	IP40
TI22VFAF4CN	Ø 22.5	Visual	Ø 25	IP65

Specifications

Mounting	Central fixing with metal lock nut
Protection	IP40, IP65, IP67
Bezel material	Thermoplastic or anodized aluminum alloy
Lens material	Polycarbonate - engravable
Illumination	T1 ¾ midget grooved lamps - incandescent lamps, LEDs, multi LEDs 60 V, 1.2 W maximum Lamp contact a = anode (+), b = cathode (-) Appropriate safety regulations should be respected when using the indicator light.
Temperature range °C	-25°C to +85°C
Terminals	Solder – suitable for wire diameter 1 × 1.00 mm ² (braided), 2 × 0.75 mm (stranded) Faston – 2.8 mm × 0.5 mm
Vibration resistance	1.5 mm pp amplitude at 55 Hz



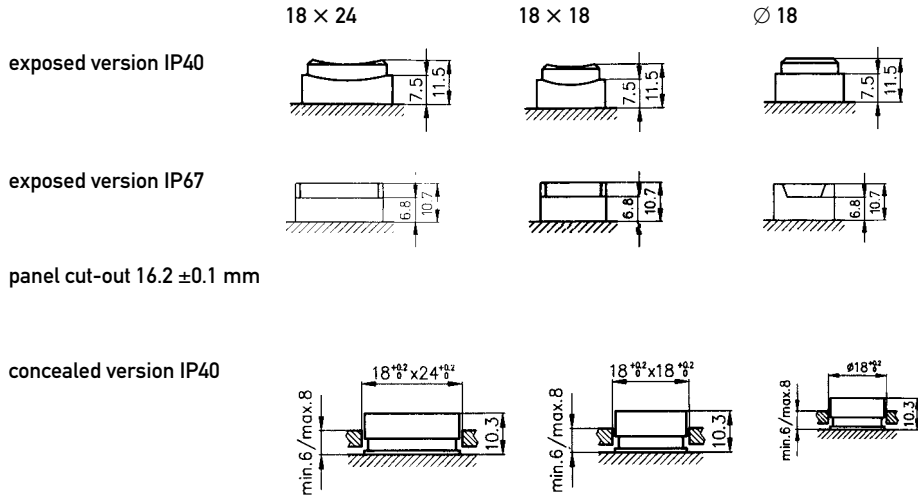
Dimensions



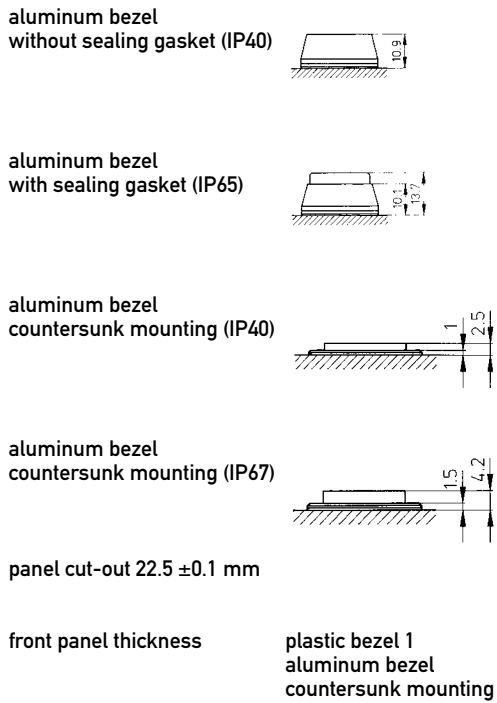
Length in mm
plastic bezels
countersunk mounting bezels
aluminum bezels
countersunk mounting

38 mm
40 mm
48 mm

Plastic bezel and lens heights in mm (switch off position)



Dimensions Aluminum bezel ∅ 25, Lens heights in mm (switch off position)



Ordering Reference

Basic type	T12				Example: T12	1	VAA	F0	A	N
Panel cut-out	1				Ø 16.2 mm					
Switch body	Function	Actuator	Housing (plastic)	Part No.						
	VAA	Visual	18 × 24 mm	Exposed; IP40; faston	TH551008000					
	VAL	Visual	18 × 24 mm	Exposed; IP40; solder	TH551108000					
	VAD	Visual	18 × 24 mm	Exposed; IP67; faston	TH551015000					
	VAO	Visual	18 × 24 mm	Exposed; IP67; solder	TH551115000					
	VAB	Visual	18 × 24 mm	Concealed; IP40; faston	TH551002000					
	VAM	Visual	18 × 24 mm	Concealed; IP40; solder	TH551102000					
	VBA	Visual	18 × 18 mm	Exposed; IP40; faston	TH553008000					
	VBL	Visual	18 × 18 mm	Exposed; IP40; solder	TH553108000					
	VBC	Visual	18 × 18 mm	Exposed; IP67; faston	TH553015000					
	VBN	Visual	18 × 18 mm	Exposed; IP67; solder	TH553115000					
	VBB	Visual	18 × 18 mm	Concealed; IP40; faston	TH553002000					
	VBM	Visual	18 × 18 mm	Concealed; IP40; solder	TH553102000					
	VCA	Visual	Ø 18	Exposed; IP40; faston	TH555008000					
	VCL	Visual	Ø 18	Exposed; IP40; solder	TH555108000					
	VCC	Visual	Ø 18	Exposed; IP67; faston	TH555015000					
	VCN	Visual	Ø 18	Exposed; IP67; solder	TH555115000					
	VCB	Visual	Ø 18	Concealed; IP40; faston	TH555002000					
	VCM	Visual	Ø 18	Concealed; IP40; solder	TH555102000					
	Lens transparent			For body style	For body style	For body style				
		VAA/VAL (IP40)	VAB/VAM (IP40)	VAD/VAO (IP67)						
F0		White	TH461021000	TH461017000	TH561011000					
F1		Yellow	TH461121000	TH461117000	TH561111000					
F2		Green	TH461221000	TH461217000	TH561211000					
F3		Blue	TH461321000	TH461317000	TH561311000					
F4		Red	TH461421000	TH461417000	TH561411000					
F6		Orange	TH461621000	TH461617000	TH561611000					
		For body style	For body style	For body style						
		VBA/VBL (IP40)	VBB/VBM (IP40)	VBC/VBN (IP67)						
F0		White	TH463021000	TH463018000	TH563011000					
F1		Yellow	TH463121000	TH463118000	TH563111000					
F2		Green	TH463221000	TH463218000	TH563211000					
F3		Blue	TH463321000	TH463318000	TH563311000					
F4		Red	TH463421000	TH463418000	TH563411000					
F6		Orange	TH463621000	TH463618000	TH563611000					
		For body style	For body style	For body style						
		VCA/VCL (IP40)	VCB/VCM (IP40)	VCC/VCN (IP67)						
F0	White	TH465021000	TH465015000	TH565011000						
F1	Yellow	TH465121000	TH465115000	TH565111000						
F2	Green	TH465221000	TH465215000	TH565211000						
F3	Blue	TH465321000	TH465315000	TH565311000						
F4	Red	TH465421000	TH465415000	TH565411000						
F6	Orange	TH465621000	TH465615000	TH565611000						
Illumination	A	6V								
	B	12V								
	C	24V								
	F	48V								
Illumination color	N	Incandescent lamp	6V, 200 mA TH590000000	12V, 80 mA TH590001000	24V, 50 mA TH590006000	48V, 25 mA TH590004000				
	1	Yellow LED	6V AC/DC, 45 mA TH590231000	12V AC/DC, 25 mA TH590234000	24V AC/DC, 12.5 mA TH590237000	48V AC/DC, 12.5 mA TH590240000				
	2	Green LED	TH590232000	TH590235000	TH590238000	TH590241000				
	4	Red LED	TH590230000	TH590233000	TH590236000	TH590239000				

Acoustic versions available upon request

Ordering Reference

Basic type	T12				Example: T12	2	VFA	F0	A	N	
Panel cut-out	2				Ø 22.5 mm						
Switch body	VFA	Visual	Function	Actuator style	Housing	Part No.					
	VFB	Visual	Visual	Ø 25	Exposed plastic; IP65; faston	TH555020000					
	VFC	Visual	Visual	Ø 25	Exposed plastic; IP65; solder	TH555120000					
	VFD	Visual	Visual	Ø 25	Exposed aluminum; IP40/IP65*; faston	TH555018000					
	VFE	Visual	Visual	Ø 25	Exposed aluminum; IP40/IP65*; solder	TH555118000					
	VFF	Visual	Visual	Ø 25	Exposed aluminum; IP65 with silicon cap; faston	TH555033000					
	VFG	Visual	Visual	Ø 25	Exposed aluminum; IP65 with silicon cap; solder	TH555133000					
	VFH	Visual	Visual	Ø 25	Flush-aluminum; IP40; faston	TH555050000					
	VFJ	Visual	Visual	Ø 25	Flush-aluminum; IP40; solder	TH555150000					
	VFK	Visual	Visual	Ø 25	Flush-aluminum; IP67; faston	TH555051000					
VFK	Visual	Visual	Ø 25	Flush-aluminum; IP67; solder	TH555151000						
Lens transparent					For body style	VFC/VFD	With sealing ring				
					VFA/VFB (IP65)	VFG/VFH (IP40/IP65)	VFE/VFF (IP65)	VFJ/VFK (IP67)			
	F0	White			TH565024000	TH465015000	TH465001000	TH565025000			
	F1	Yellow			TH565124000	TH465115000	TH465101000	TH565125000			
	F2	Green			TH565224000	TH465215000	TH465201000	TH565225000			
	F3	Blue			TH565324000	TH465315000	TH465301000	TH565325000			
	F4	Red			TH565424000	TH465415000	TH465401000	TH565425000			
F6	Orange			TH565624000	TH465615000	TH465601000	TH565625000				
Illumination	A	6V									
	B	12V									
	C	24V									
	F	48V									
Illumination color	N	Incandescent lamp	6V, 200 mA	12V, 80 mA	24V, 50 mA	48V, 25 mA					
			TH590000000	TH590001000	TH590006000	TH590004000					
			6V AC/DC, 45 mA	12V AC/DC, 25 mA	24V AC/DC, 12.5 mA	48V AC/DC, 12.5 mA					
	1	Yellow LED	TH590231000	TH590234000	TH590237000	TH590240000					
	2	Green LED	TH590232000	TH590235000	TH590238000	TH590241000					
4	Red LED	TH590230000	TH590233000	TH590236000	TH590239000						

Acoustic versions available upon request