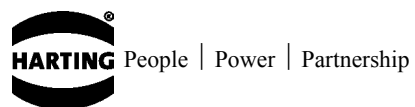


HARTING Electric



Han[®] R 23 Circular Connector





Features

- Size R 23
- Outer diameter 26 mm
- High contact density
- Very robust hoods/housings
- Corrosion resistant
- Excellent EMC properties (with continuous shielding)
- Quick and easy assembly
- Vibration resistant screw locking system
- Up to 19 contacts, 25 V~ / 60 V-
- Ideal for applications such as measurement and automatic control.

Note

Connectors should not be coupled and decoupled under electrical load.

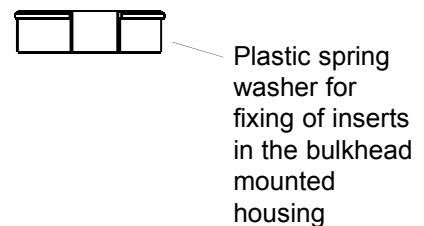
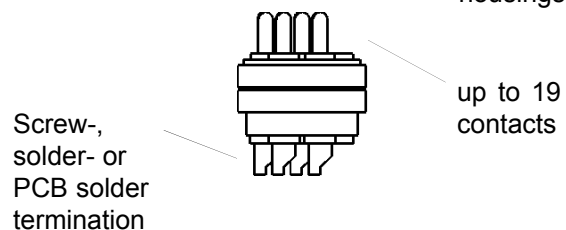
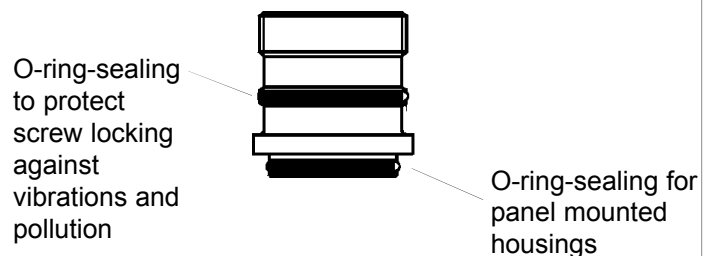
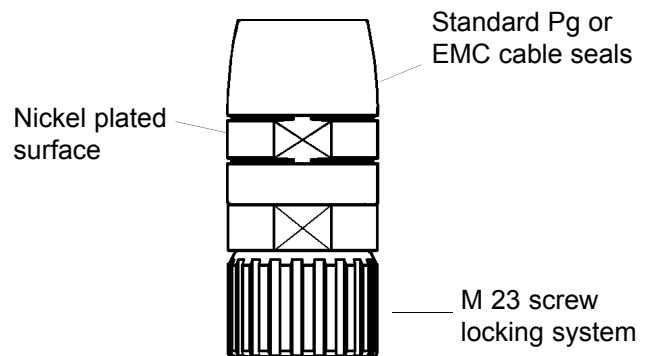
General Information

It is the user's responsibility to check whether the components illustrated in this catalogue comply with different regulations from those stated in special fields of application which we are unable to foresee.

We reserve the right to modify designs in order to improve quality, keep pace with technological advancement or meet particular requirements in production.

This catalogue must not be used in any form or manner without our prior approval in writing (Copyright Law, Fair Trading Law, Civil Code).

We are bound by the German version only.





Technical Details

Specifications

DIN VDE 0627
DIN VDE 0110

Hoods/housings

Material: Copper-zinc alloy
 Surface: Nickel plated
 Flat sealing: NBR
 O-ring-sealing: FPM (Viton)
 Temperature range: - 40° C ... + 115° C
 IP acc. to DIN 40050 in locked position: IP 67

Inserts

Number of contacts	6	9	12	17	19
Working current					
- power contact	15 A	1x15A			
- signal contact		8 x 7A	7A	7A	16 x 7A
(see Derating Diagram)					3 x 10A
Working voltage ¹⁾	25V~ / 60V-				
Degree of pollution	3				
Test voltage U _{rms}	1.5 kV				
Insulation resistance	> 10 ¹² Ohm				
Material	Thermoplastic polyester (PBT)				
Temperature range	- 40° C ... + 115° C				
Flammability acc. to UL 94	V 0				

Contacts

Material: Copper alloy
 Surface: Gold plated
 Contact resistance: < 5 mOhm

Screw termination

- power contact: 0.14 - 1.0 mm², AWG 26 - 16
- signal contact: 0.14 - 0.75 mm², AWG 26 - 18

Solder termination

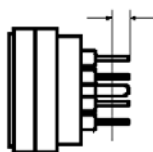
- power contact: 0.14 - 2.5 mm², AWG 26 - 14
- signal contact: 0.14 - 1.0 mm², AWG 26 - 18

Crimp termination

- D-Sub contact: see Subminiature D catalogue

PCB solder termination

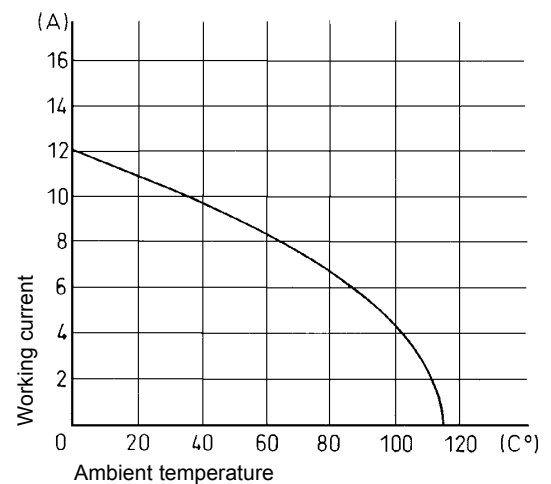
- power contact: Ø 1.5 mm
- signal contact: Ø 0.6 mm
- solder length with reference to bulkhead mounted housing: 3.5 mm



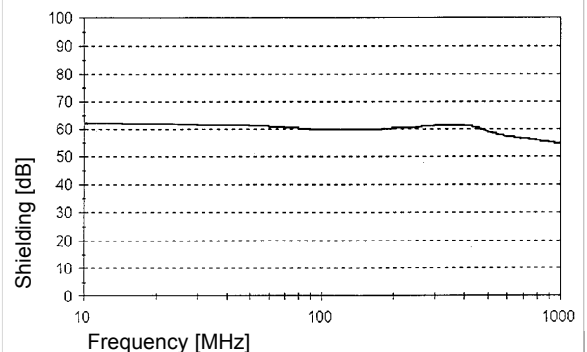
1) Acc. to DIN VDE 0627 metallic parts which may be touched by a person and may have voltages present under fault conditions, must have integral protection. Therefore this R 23 connector is limited for use up to 25V~/60V-.


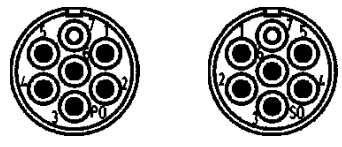
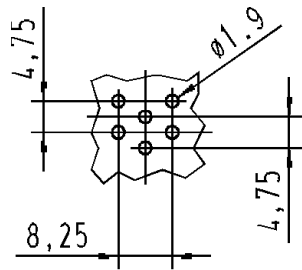


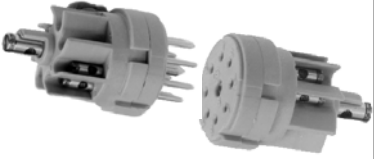
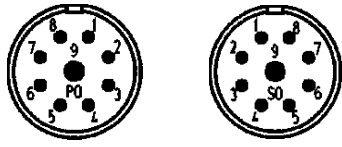
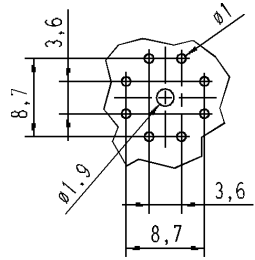
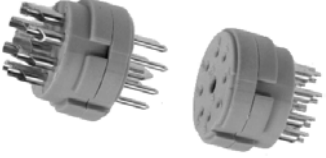
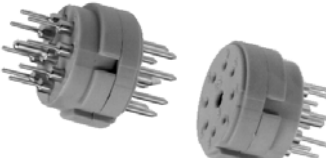
Derating Diagram

Insert: 12 positions
Wire gauge: 1 mm² (AWG 18)



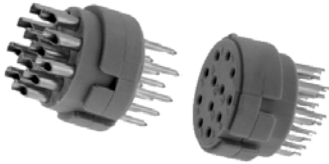
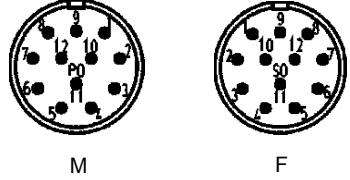
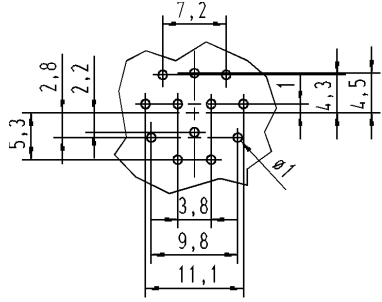
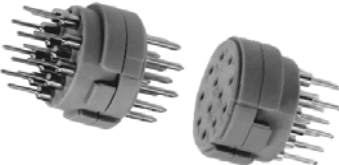

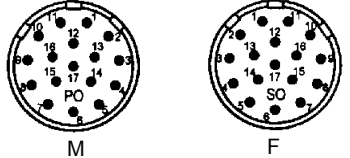
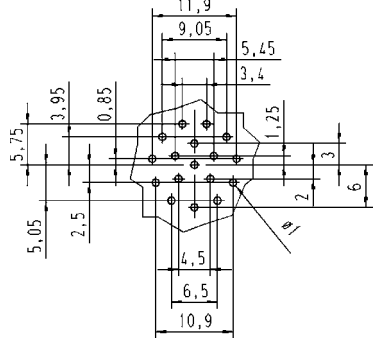
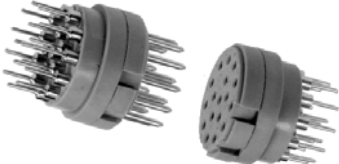

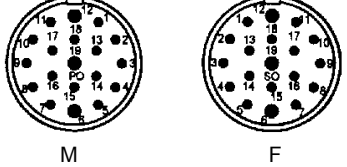
Shielding of the EMC housing



Identification	Number of contacts	Part No.		Drawing	Dimensions in mm
		Male inserts	Female inserts		
<p>Screw termination</p> 	6	09 15 206 2601	09 15 206 2701	<p>Contact arrangement view: mating side</p>  <p>M F</p> <p>PCB pinhole pattern:</p> 	
<p>Solder termination</p> 					
<p>PCB solder termination²⁾</p> 					
<p>Screw termination</p> 	9	09 15 209 2601	09 15 209 2701	<p>Contact arrangement view: mating side (numbering in opposite direction on request)</p>  <p>M F</p> <p>PCB pinhole pattern:</p> 	
<p>Solder termination</p> 					
<p>PCB solder termination²⁾</p> 					
		Stock items in bold type			


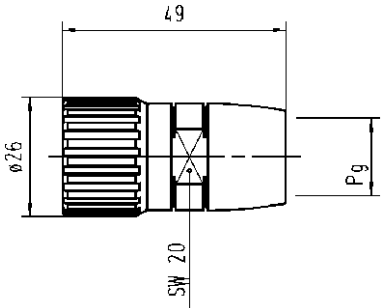

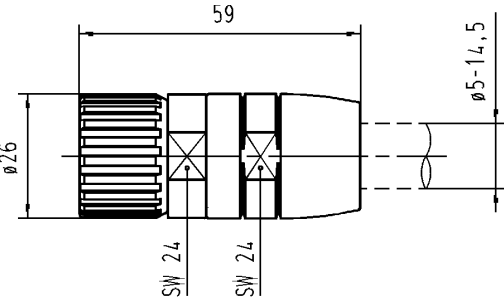

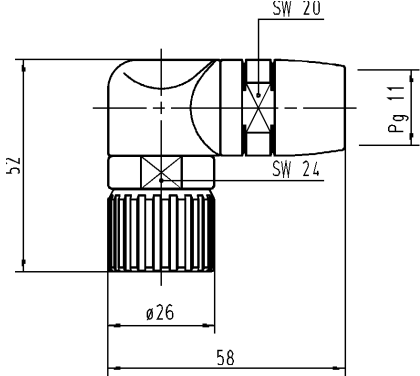

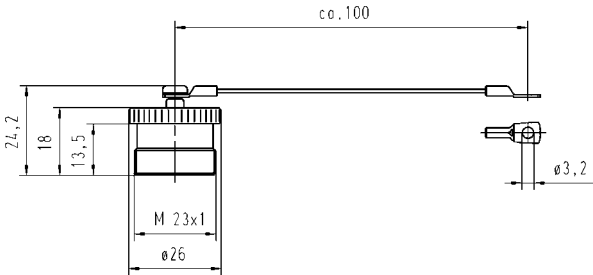
2) Suitable only for housings, bulkhead mounting.
No.: 09 15 200 0311, 09 15 200 0313 and 09 15 200 0301

2) Suitable only for housings, bulkhead mounting.
No.: 09 15 200 0311, 09 15 200 0313 and 09 15 200 0301

Identification	Number of contacts	Part No.		Drawing	Dimensions in mm
		Male inserts	Female inserts		
<p>Solder termination</p> 	12	09 15 212 2603	09 15 212 2703	<p>Contact arrangement view: mating side (numbering in opposite direction on request)</p> 	
<p>Crimp termination for D-Sub contacts</p>	12	09 15 212 2602	09 15 212 2702	<p>PCB hole details:</p> 	
<p>PCB solder termination²⁾</p> 	12	09 15 212 2604	09 15 212 2704		
<p>Solder termination</p> 	17	09 15 217 2603	09 15 217 2703	<p>Contact arrangement view: mating side (numbering in opposite direction on request)</p> 	
<p>Crimp termination for D-Sub contacts</p>	17	09 15 217 2602	09 15 217 2702	<p>PCB hole details:</p> 	
<p>PCB solder termination²⁾</p> 	17	09 15 217 2604	09 15 217 2704		
<p>Solder termination</p> 	19	09 15 219 2603	09 15 219 2703	<p>Contact arrangement view: mating side</p> 	
		Stock items in bold type			


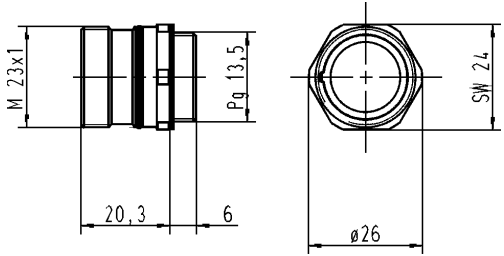

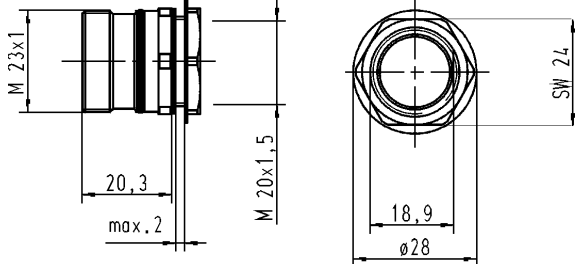

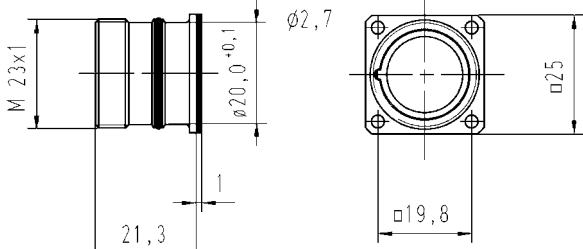

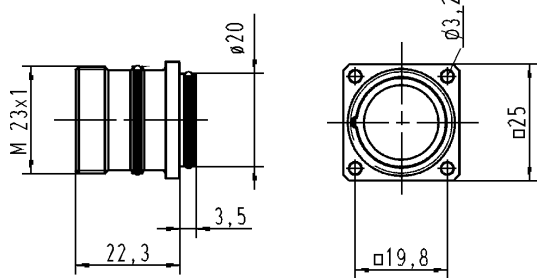

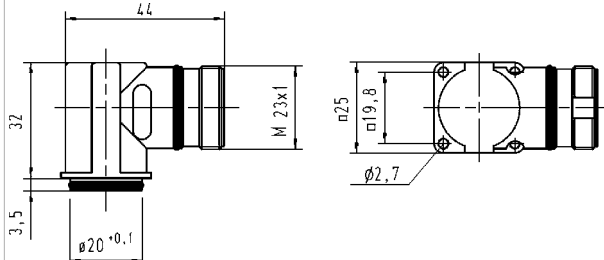
2) Suitable only for housings, bulkhead mounting, No.: 09 15 200 0311, 09 15 200 0313 and 09 15 200 0301

2) Suitable only for housings, bulkhead mounting, No.: 09 15 200 0311, 09 15 200 0313 and 09 15 200 0301

Identification	Part No.	Pg	Drawing	Dimensions in mm
<p>Hood top-entry</p> 	<p>09 15 200 0402 09 15 200 0403</p>	<p>9 11</p>		
<p>Hood top-entry EMC version</p> 	<p>09 15 200 0451</p>	<p>—</p>		
<p>Hood right angle entry</p> 	<p>09 15 200 0603</p>	<p>11</p>		
Identification	Part No.	Drawing	Dimensions in mm	
<p>Screw cover for hoods with tether</p> 	<p>09 15 200 5421</p> <p>Stock items in bold type</p>			


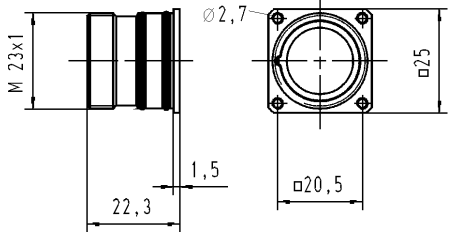

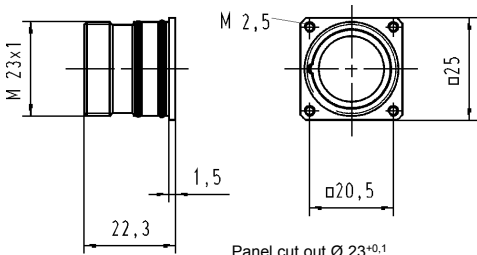

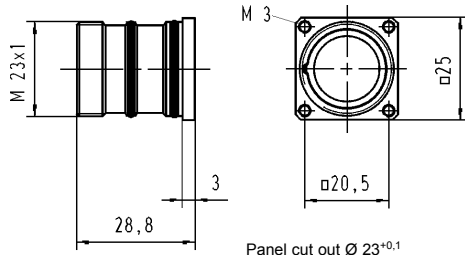

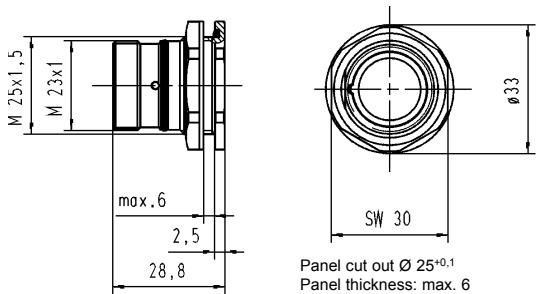

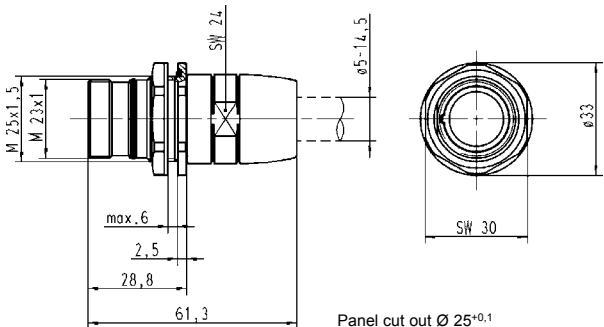
Order inserts separately, see page 4 - 5

Bulkhead mounted housings see page 7 - 9

Identification	Part No.	Drawing	Dimensions in mm
<p>Housing, bulkhead mounting front wall assembly with central locking Pg 13.5</p> 	<p>09 15 200 0324</p>	 <p>Panel cut out Pg 13.5</p>	
<p>Housing, bulkhead mounting front wall assembly with central locking M 20</p> 	<p>09 15 200 0303</p>	 <p>Panel cut out $\varnothing 20^{+0.1}$</p>	
<p>Housing, bulkhead mounting front wall assembly with flat sealing</p> 	<p>09 15 200 0301</p>	 <p>Panel cut out $\varnothing 20^{+0.1}$</p>	
<p>Housing, bulkhead mounting front wall assembly with O-ring-sealing</p> 	<p>09 15 200 0305</p>	 <p>Panel cut out $\varnothing 20^{+0.1}$</p>	
<p>Housing, right angled bulkhead mounting front wall assembly with O-ring-sealing</p> 	<p>09 15 200 0901</p> <p>Stock items in bold type</p>	 <p>Panel cut out $\varnothing 20^{+0.1}$</p>	


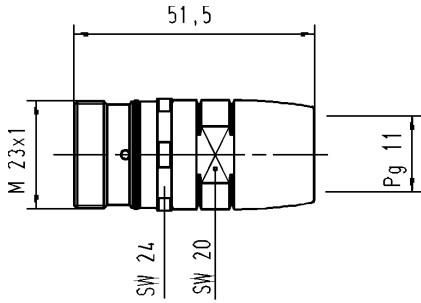

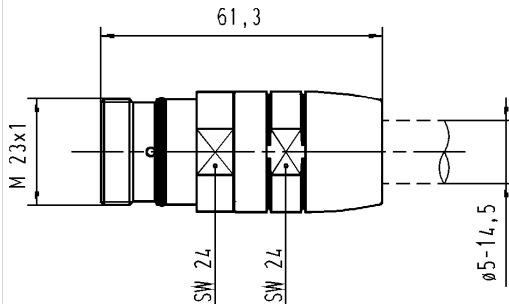

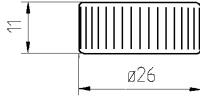

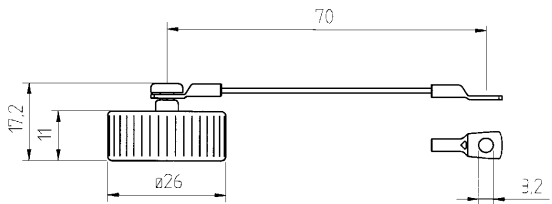
Order inserts separately, see page 4 - 5

Bulkhead mounted housings see page 6

Identification	Part No.	Drawing	Dimensions in mm
<p>Housing, bulkhead mounting back wall assembly with O-ring-sealing</p> 	<p>09 15 200 0313</p>		<p>Panel cut out $\text{Ø } 23^{+0.1}$ Panel thickness: 2.7 - 3.5 when using counter-sunk screws</p>
<p>Housing, bulkhead mounting back wall assembly with O-ring-sealing</p> 	<p>09 15 200 0311</p>		<p>Panel cut out $\text{Ø } 23^{+0.1}$ Panel thickness: 2.7 - 3.5 when using counter-sunk screws</p>
<p>Housing, bulkhead mounting back wall assembly with O-ring-sealing</p> 	<p>09 15 200 0312</p>		<p>Panel cut out $\text{Ø } 23^{+0.1}$ Panel thickness: 3.5 - 8.5 when using counter-sunk screws</p>
<p>Housing, bulkhead mounting back wall assembly with central locking M 25</p> 	<p>09 15 200 0314</p>		<p>Panel cut out $\text{Ø } 25^{+0.1}$ Panel thickness: max. 6</p>
<p>Cable gland housing back wall assembly central locking M 25</p> 	<p>09 15 200 0351</p> <p>Stock items in bold type</p>		<p>Panel cut out $\text{Ø } 25^{+0.1}$ Panel thickness: max. 6</p>


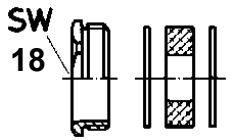


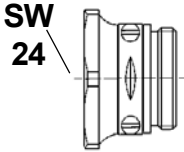

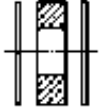

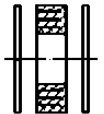



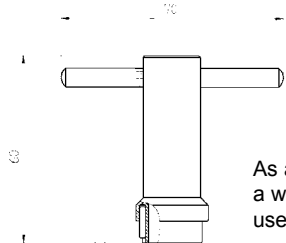

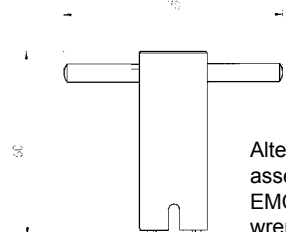
Order inserts separately, see page 4 - 5

Bulkhead mounted housings see page 6

Identification	Part No.	Pg	Drawing	Dimensions in mm
<p>Cable to cable housing top entry</p> 	<p>09 15 200 0703</p>	<p>11</p>		
<p>Cable to cable housing top entry EMC version</p> 	<p>09 15 200 0751</p>	<p>—</p>		
Identification	Part No.	Drawing	Dimensions in mm	
<p>Screw cover for bulkhead mounted and cable to cable housings</p> 	<p>09 15 200 5401</p>			
<p>Screw cover for bulkhead mounted and cable to cable housings with tether</p> 	<p>09 15 200 5411</p> <p>Stock items in bold type</p>			

Order inserts separately, see page 4 - 5

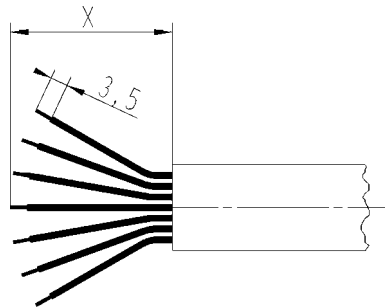
Bulkhead mounted housings see page 6

Cable entry protection		Part No.	Pg	Drawing	Dimensions in mm
<p>Cable sealing metal (IP 65)</p> <p>with normal seal</p> 	09 00 000 5113	11		Suitable cable Ø 10 - 12	
<p>with multiple seal</p> 	09 00 000 5013	11		6.5 - 12	
<p>Special cable clamp metal (IP 65)</p> <p>with strain relief and bell mouth</p> 	09 00 000 5191	11		Suitable cable Ø 8 - 12	
<p>normal seal order separately</p> 	09 00 000 5020	11		10 - 12	
<p>multiple seal order separately</p> 	09 00 000 5027	11		6.5 - 12	
Assembly tools		Part No.		Drawing	Dimensions in mm
<p>for angled housings, bulkhead mounting</p> 	09 99 000 0324				
<p>for bulkhead mounted and cable to cable housings</p> 	09 99 000 0325			 <p>As an alternative a wrench can be used.</p>	
<p>for hoods</p> 	09 99 000 0326			 <p>Alternatively for the assembly of the EMC version a wrench can be used.</p>	

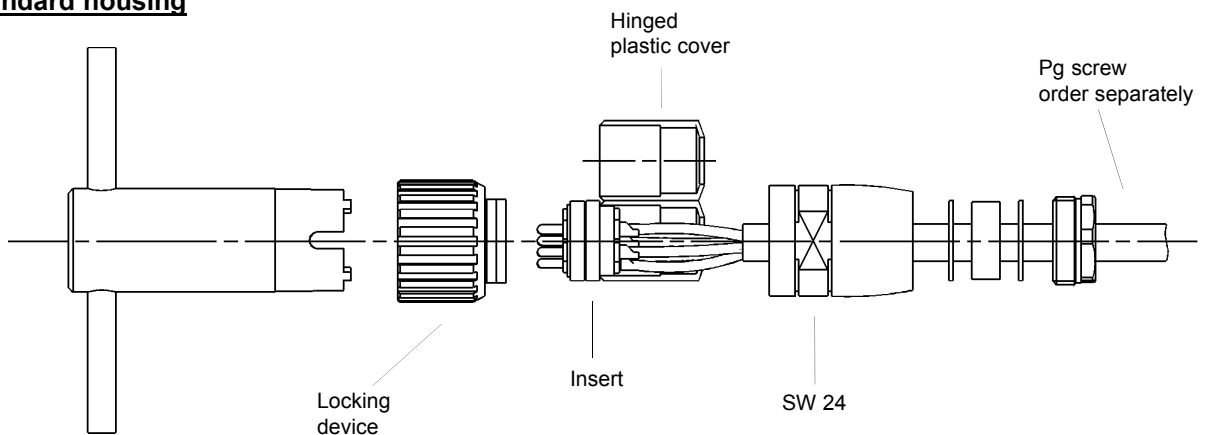
Assembly manual

Dimensions in mm

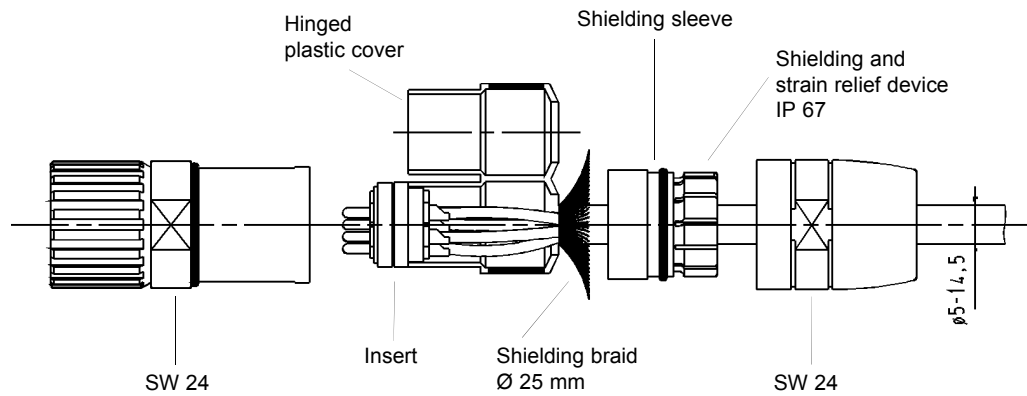
Housing	Cable Strip Length x
09 15 200 0351	26 mm
09 15 200 0403	20 mm
09 15 200 0451	26 mm
09 15 200 0603	30 mm
09 15 200 0703	20 mm
09 15 200 0751	26 mm
09 15 200 0901	30 mm



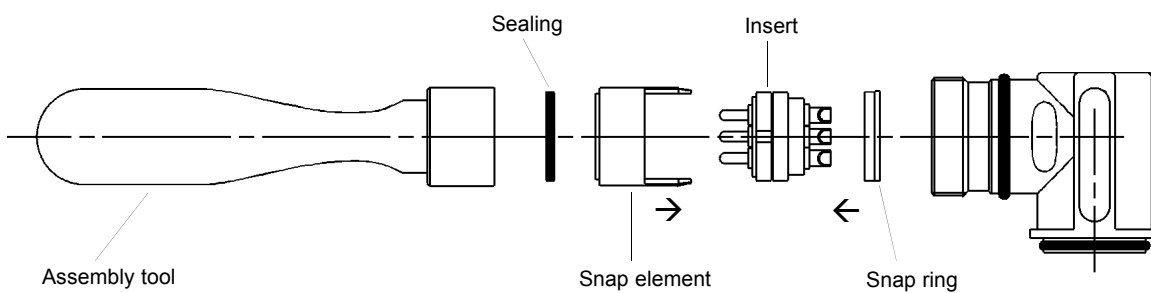
Standard housing



EMC housing



Right angled housing, bulkhead mounting



**Austria**

HARTING Ges.m.b.H
Deutschstrasse 3; A-1230 Wien
Phone +43 1 6 16 21 21
Fax +43 1 6 16 21 21-21
E-Mail: at@HARTING.com

Belgium

HARTING N.V./S.A.
Doornveld 8; B-1731 Zellik
Phone +32 2 4660 190; Fax +32 2 4667 855
E-Mail: be@HARTING.com

Brazil

HARTING Ltd.a.
Av. Dr. Lino de Moraes, 225, Pq. Jabaquara
CEB 04360-001 São Paulo - Brazil
Phone +55 11 5034 0073
Fax +55 11 5034 4743
E-Mail: br@HARTING.com

China

HARTING (HK) Ltd.
Shanghai Representative Office
RM 2302; HongKong Plaza South Tower
283 Huai Hai Rd. (M)
Shanghai, 200021 PR CHINA
Phone +8621 6390 6935; Fax +8621 6390 6399
E-Mail: ChinaSales@HARTING.com.cn

Czech Republic

HARTING spol s.r.o.
Mlynská 2, 16000 Praha 6
Phone +420 2 203 80 450
Fax +420 2 203 80 451
E-Mail: HARTING@HARTING.cz

Finland

HARTING OY
Hakamäenkuja 11 A, FIN-01510 Vantaa
Phone +358 50 589-0205
Fax +358 93 50 87-320
E-Mail: fi@HARTING.com

France

HARTING France; ZAC Paris Nord II
181, Av. des Nations, B.P. 60058
F-95972 Roissy Charles de Gaulle Cédex
Phone +33 1 49 38 34 00
Fax +33 1 48 63 23 06
E-Mail: fr@HARTING.com

Germany

HARTING Deutschland GmbH & Co. KG
P.O. Box 2451; D-32381 Minden
Simeons carré 1; D-32427 Minden
Phone +49 571 8896-0; Fax +49 571 8896-282
E-Mail: de.sales@HARTING.com
Internet: www.HARING.com

Great Britain

HARTING Ltd.
Caswell Road, Blackmills Industrial Estate
GB-Northampton, NN4 7PW
Phone +44 1604-76 66 86
Fax +44 1604-70 67 77
E-Mail: gb@HARTING.com

Hong Kong

HARTING (HK) Ltd.
Regional Office Asia Pacific
4208 Metroplaza Tower 1; 223 Hing Fong Rd.
Kwai Fong, N.T.; Hong Kong;
Phone +852 24 23 73 38
Fax +852 24 80 43 78
E-Mail: AsiaPacific@HARTING.com.hk

Italy

HARTING SpA
Via Dell'Industria 7
I-20090 Vimodrone (Milano)
Phone +39 2 25 08 01
Fax +39 2 2 65 05 97
E-Mail: it@HARTING.com

Japan

HARTING K.K.
4F GITC 407; 1-18-2, Hakusan, Midori-ku;
Yokohama 226 0006 Japan
Phone +81 45 931-5715
Fax +81 45 931-5719
E-Mail: JapanSales@HARTING.co.jp

Korea

HARTING Korea Ltd.
FKI Building, 14th Floor; 28-1 Yoido-dong,
Yongdungpo-gu; Seoul 150-758 (Sth. Korea)
Phone +82 2 784 46 14
Fax +82 2 3776 0070
E-Mail: KoreaSales@HARTING.co.kr

Netherlands

HARTING B.V.
Larenweg 44, NL-5234 KA's-Hertogenbosch
Postbus 3526; NL-5203 DM's-Hertogenbosch
Phone +31 73 6 41 04 04
Fax +31 73 6 44 06 99
E-Mail: verkoop.nl@HARTING.com

Norway

HARTING A/S
Østensjøveien 36, N-0667 Oslo
Phone +47 22 700-555
Fax +47 22 700-570
E-Mail: no@HARTING.com

Russia

HARTING ZAO
ul. Tobolskaja 12; 194044 Saint Petersburg
Phone +7 812 3 27 64 77
Fax +7 812 3 27 64 78
E-Mail: HARTING@mail.wplus.net

Singapore

HARTING Singapore Pte. Ltd
No. 1 Coleman Street; #B1.21 The Adelphi
179803 Singapore
Phone +656 225 52 85
Fax +656 225 99 47
E-Mail: SEAsiaSales@HARTING.com.my

Spain

HARTING Elektronik S.A.
Josep Tarradellas 20-30, 4^a-6^a
E-08029 Barcelona
Phone +34 93 3 63 84 84
Fax +34 93 4 19 95 85
E-Mail: es@HARTING.com

Sweden

HARTING AB
Fagerstagatan 18 A, 5. TR.
S-16353 Spånga
Phone +46 8 4 45 7171
Fax +46 8 4 45 7170
E-Mail: se@HARTING.com

Switzerland

HARTING AG
Industriestr. 26
CH-8604 Volketswil
Phone +41 1 9 08 20 60
Fax +41 1 9 08 20 69
E-Mail: ch.zh@HARTING.com

Taiwan

HARTING R.O.C. Ltd.
Rm. 6, 10/F. No. 171
Sung Te Road; TAIPEI, Taiwan
Phone +886 2 2346-3177
Fax +886 2 2346-2690
E-Mail: TaiwanSales@HARTING.com.tw

USA

HARTING Inc. of North America
1370 Bowes Road
Elgin, IL 60123; Phone +1 847 741-1500;
Fax +1 847 741-8257 (Customer Service)
Fax +1 847 717-9420 (Sales and Marketing)
E-Mail: more.info@HARTING.com

Eastern Europe

HARTING Bauelemente GmbH
Vertrieb Osteuropa
Bamberger Straße 7; D-01187 Dresden
Phone +49 351 4 36 17 60
Fax +49 351 436 17 701
E-Mail: HARTING.dresden@t-online.de

Other countries

HARTING Electric GmbH & Co. KG
Postfach 1473; D-32328 Espelkamp
Phone +49 5772 47-97100
Fax +49 5772 47-945
E-Mail: HARTING.Electric@HARTING.com

**Argentina**

Condell Electronica
Julian Agüero 3355
(1605) Munro - Pcia. de Buenos Aires
Phone + Fax: +54 11 47620118
E-Mail: mediaviconde@arnet.com.ar
Roberto Mediavilla
Rivera Indarte 390, (5000) Córdoba
Phone + Fax: +54 351-424-5027
E-Mail: rmediavilla@arnet.com.ar

Australia

ADILAM Electronics Pty. Ltd.
14 Nicole Close; North Bayswater
3153 VICTORIA
Phone +61 39 761 44 66
Fax +61 39 761 41 61
E-Mail: Mark.c@adilam.com.au

Denmark

Knud Wexøe A/S; Skaettekaeret 11
P.O. Box 152; DK-2840 Holte
Phone +45 45 46 58 00
Fax +45 45 46 58 01
E-Mail: wexoe@wexoe.dk
Internet: http://www.wexoe.dk

Finland

SKS AUTOMAATIO OY
Martinkyläntie 50, FIN-01721 Vantaa
Phone +385 9 852 661
Fax +385 9 852 68 20
E-Mail: automaatio@sksf.fi

India

Sahajanand Impex Pvt. Ltd.
103/ 104 Magnum Opus; Shantinagar;
Vakola Santacruz (East); Mumbai, 400 015
Phone +91 22 692 5151
Fax +91 22 692 1026
E-Mail: sahanand@vsnl.com
Internet: http://www.sahanand.com

Poland

Soyter Sp. z o.o.
ul. Warszawska 3
05-082 Warszawska - Stare Babice
Phone +48 22 7220 685
Fax +48 22 7220 550
E-Mail: handlowy@soyter.com.pl
Internet: http://www.soyter.com.pl

Portugal

UNIMAQUE
Electronica e Electricidade Industrial, LDA.
Rua Augusto Gil, 22-B; P-1000 Lisboa
Phone +35 11 7 96 67 32 / 85
Fax +35 11 7 96 09 24

South-Afrika

Hellermann (Pty) Ltd.
Private Bag X 158 Rivonia 2128;
Milky Way Avenue
Linbro Industrial Park 2065; Johannesburg
Phone +27 11 879-6600
Fax +27 11-879-6606
E-Mail: sales.jhb@hellermann.co.za

Turkey

Gökhan Elektrik San. Tic. Ltd. Sti.
Perpa Elektrikçiler Is Merkezi A Blok
Kat: 7-8-9 No. 694
TR-80270 Okmeydanı/Istanbul
Phone +90 212 221 32 36;
Fax +90 212 221 32 40
E-Mail: gokhanelektrik@superonline.com

Global Business Unit
Electric

HARTING Electric GmbH & Co. KG
Postfach 1473; D-32328 Espelkamp
Phone +49 5772 47-97100
Fax +49 5772 47-945
E-Mail: HARTING.Electric@HARTING.com
Internet: http://www.HARTING.com