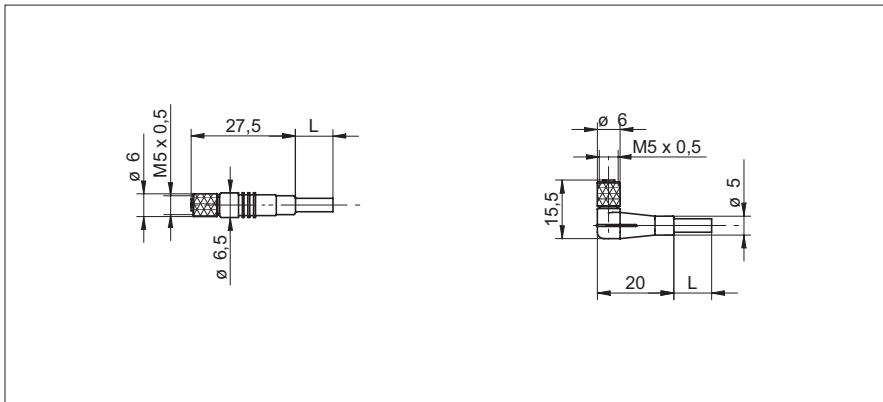


Connector M5 x 0,5 with attached PUR-cable

dimension drawing



- 3-wires version
- PUR
- self locking cap-nut

general data

molded body and insert	PUR
cap-nut	brass nickel plated

cable

strand type	3 x 0,14 mm ² (18 x 0,1)
strand insulation	PVC
insulation	PUR, black, D = ø 3,0 ±0,2
bending radius min.	8 mm (fixed)

electrical data

voltage supply	125 VDC
supply current max.	1 A (40 °C)

ambient conditions

operating temperature	-15 ... +80 °C (fixed)
protection class	IP 67 (threaded on)

data for dynamic application

bending radius	15 mm
operating temperature	-5 ... +80 °C

type Mat.-No. length

straight connectors

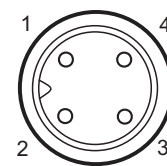
ESG 05SP0200	10144020	2 m
ESG 05SP0500	10144021	5 m
ESG 05SP1000	10153907	10 m

angular connectors

ESW 05SP0200	10144022	2 m
ESW 05SP0500	10144023	5 m

other lengths on request

pin assignment



1	=	BN
2	=	n.c.
3	=	BU
4	=	BK