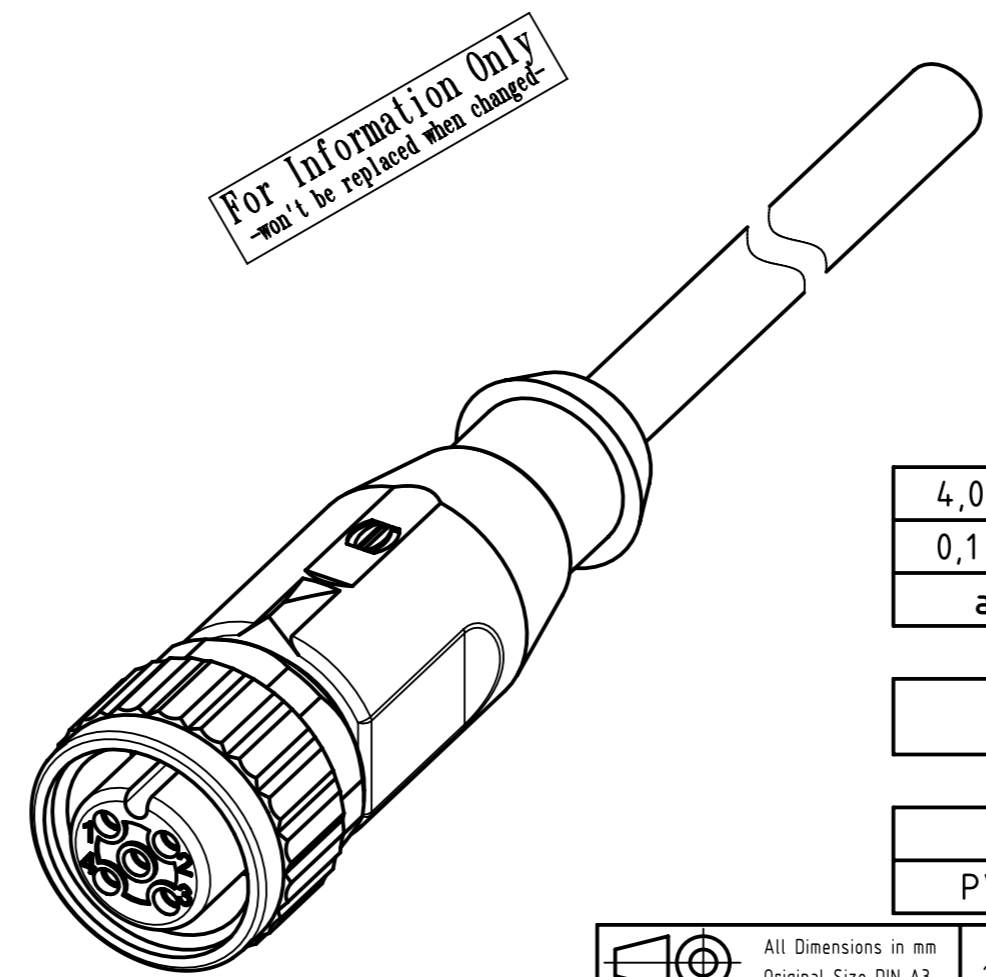


- Protection level: IP67
 - Temperature range: -25°C ... +80°C



length in "1m" step	40	XXX=400
	39	XXX=390

	12	XXX=120
	11	XXX=110
length in "0,1m" step	10	XXX=100
	9,9	XXX=099
	9,8	XXX=098

	0,4	XXX=004
	0,3	XXX=003
	0,2	XXX=002
0,1	XXX=001	
Step	a [m]	XXX

4,0 to 40	+1%
0,1 to 3,9	+0,04
a [m]	Tolerance

Part no. 213485005XXXXX

Type of cable XX
 PVC grey, 5x0,34mm² XX=85

All Dimensions in mm Original Size DIN A3		Scale 2:1	Free size tol.		Ref.
All rights reserved Department EC PD - RO		Created by TAMAS	Inspected by	Standardisation	Sub.
HARTING Electronics GmbH D-32339 Espelkamp		Title M12 A-coded Cable Assembly			Doc-Key / ECM-Nr. 100578860/UGD/009/A
		Type TB	Number 213485005XXXXX		Rev. A Page 1/1
		Date 2014-05-23		State Checked Out	