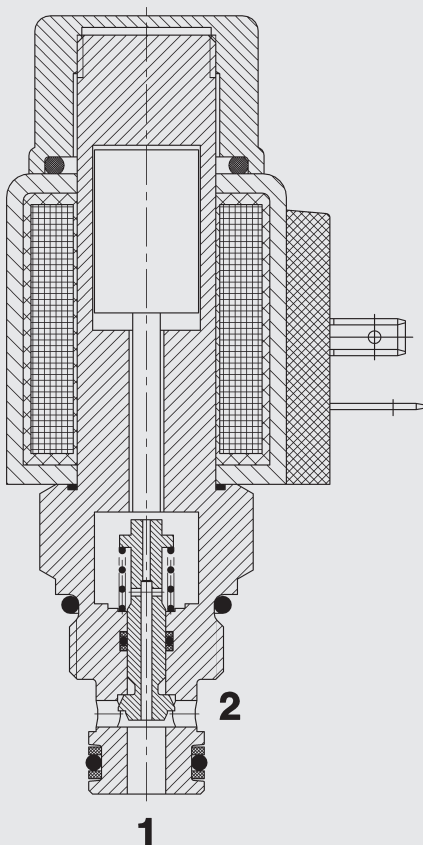


Up to 20 l/min
Up to 350 bar

FUNCTION



2/2 Solenoid Directional Valve Poppet Type, Direct-Acting Normally Open Metric Cartridge – 350 bar WSM06020V-01

FEATURES

- External surfaces zinc-plated and corrosion-proof
- Hardened and ground internal valve components to ensure minimal wear and extended service life
- Coil seals protect the solenoid system
- Wide variety of connectors available
- Excellent switching performance by high power HYDAC solenoid
- Low pressure drop due to CFD optimized flow path

SPECIFICATIONS

Operating pressure:	max. 350 bar
Nominal flow:	max. 20 l/min
Internal leakage:	Leakage-free (max. 5 drops \approx 0,25 cm ³ /min at 350 bar)
Media operating temperature range:	min. -20 °C to max. +100 °C
Ambient temperature range:	min. -20 °C to +60 °C
Operating fluid:	Hydraulic oil to DIN 51524 Part 1 and 2
Viscosity range:	10 to 420 mm ² /s
Filtration:	Class 21/19/16 according to ISO 4406 or cleaner
MTTF _d :	150 years (see "Conditions and instructions for valves" in brochure 5.300)
Installation:	No orientation restrictions
Materials:	Valve body: free-cutting steel Poppet: hardened and ground steel Seals: NBR (standard) FKM (optional, media temperature range -20 °C to +120 °C) Back-up rings: PTFE Coil: steel / polyamide
Cavity:	06020
Weight:	Valve complete 0.33 kg Coil only 0.19 kg

Electrical data

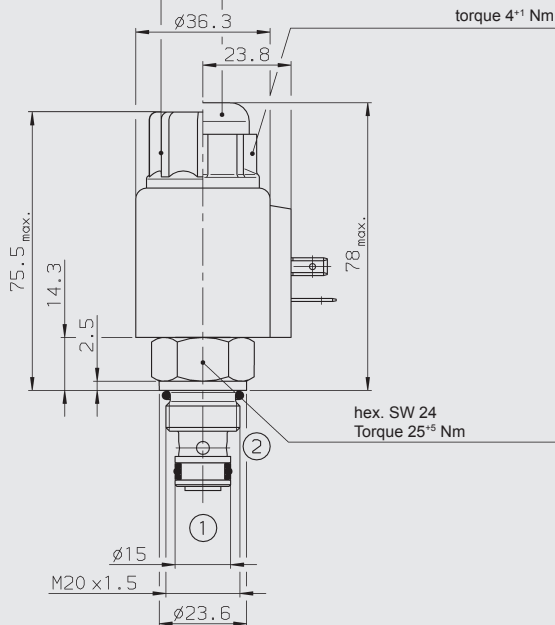
Type of voltage:	DC solenoid, AC voltage is rectified using a bridge rectifier built into the coil
Current draw at 20 °C:	1.5 A at 12 V DC 0.8 A at 24 V DC
Voltage tolerance:	\pm -15% of the nominal voltage
Coil duty rating:	Continuous up to max. 115% of the nominal voltage at 60 °C ambient temperature
Response time:	Energized: approx. 40 ms De-energized: approx. 60 ms
Coil type:	Coil...-40-1836

When the solenoid coil is de-energized, the valve is open in both directions.
When the solenoid coil is energized, the valve is closed in both directions.

DIMENSIONS

After loosening knurled nut, coil can be rotated through 360° and removed.

Manual override, with HNBR-rubber cap



millimeter
subject to technical modifications

MODEL CODE

WSM06020V - 01 M - C - N - 24 DG

Basic model _____
Directional poppet valve, metric

Type _____
01 = standard

Manual override _____
no details = without manual override
M = manual override

Body and ports * _____
C = cartridge only

Seals _____
N = NBR (standard)
V = FKM

Coil voltage _____
DC voltages
12 = 12 V DC
24 = 24 V DC

AC voltages (bridge rectifier built into the coil)
115 = 115 V AC
230 = 230 V AC

Other voltages on request

Coil connectors (type 40-1836) _____
DC: DG = DIN connector to EN 175301-803
DK = KOSTAL threaded connection M27x1
DL = 2 flying leads, 457 mm long, 0.75 mm²
DN = Deutsch connector, 2-pole, axial
DT = AMP Junior Timer, 2-pole, radial
AC: AG = DIN connector to EN 175301-803
Other connectors on request

Standard models

Model code	Part No.
WSM06020V-01-C-N-24DG	3135462
WSM06020V-01-C-N-230AG	3135461

* Standard in-line bodies

Code	Part No.	Material	Ports	Pressure
R06020-01X-01	275266	Steel, zinc-plated	G 3/8	420 bar

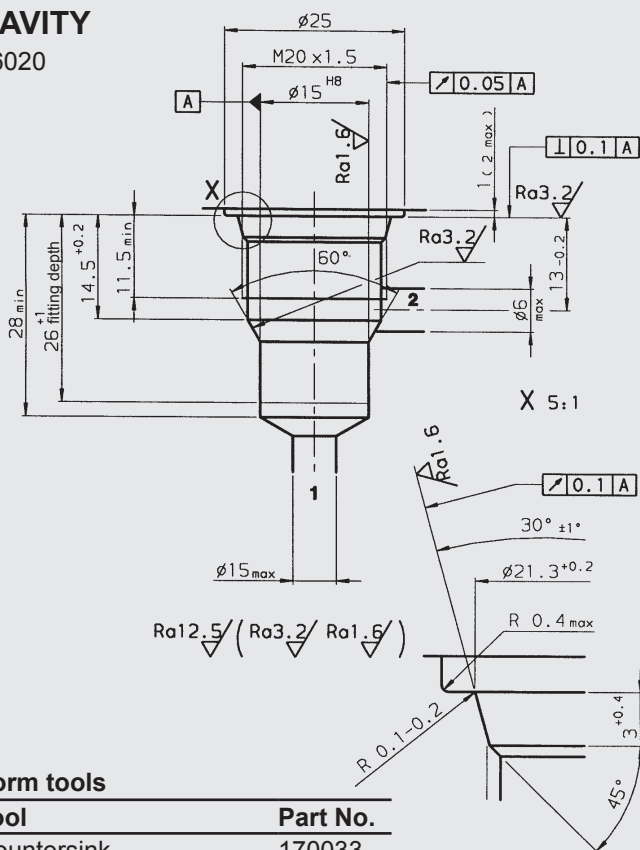
For other line bodies, see brochure no. E 5.252.

Seal kits

Code	Material	Part No.
SEAL KIT 06020-NBR	NBR	3119017
SEAL KIT 06020-FKM	FKM	3262477

CAVITY

06020



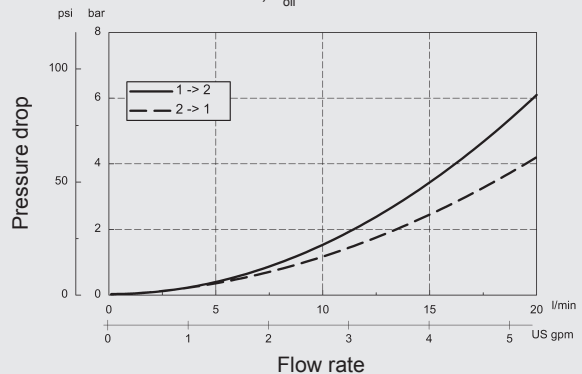
millimeter
subject to technical modifications

Form tools

Tool	Part No.
Countersink	170033
Reamer	1000768

PERFORMANCE

Measured at $v = 34 \text{ mm}^2/\text{s}$, $T_{\text{oil}} = 46 \text{ }^\circ\text{C}$



Note

The information in this brochure relates to the operating conditions and applications described. For applications or operating conditions not described, please contact the relevant technical department.
Subject to technical modifications.

HYDAC Fluidtechnik GmbH
Justus-von-Liebig-Str.
D-66280 Sulzbach/Saar
Tel: 0 68 97 /509-01
Fax: 0 68 97 /509-598
E-Mail: flutec@hydac.com