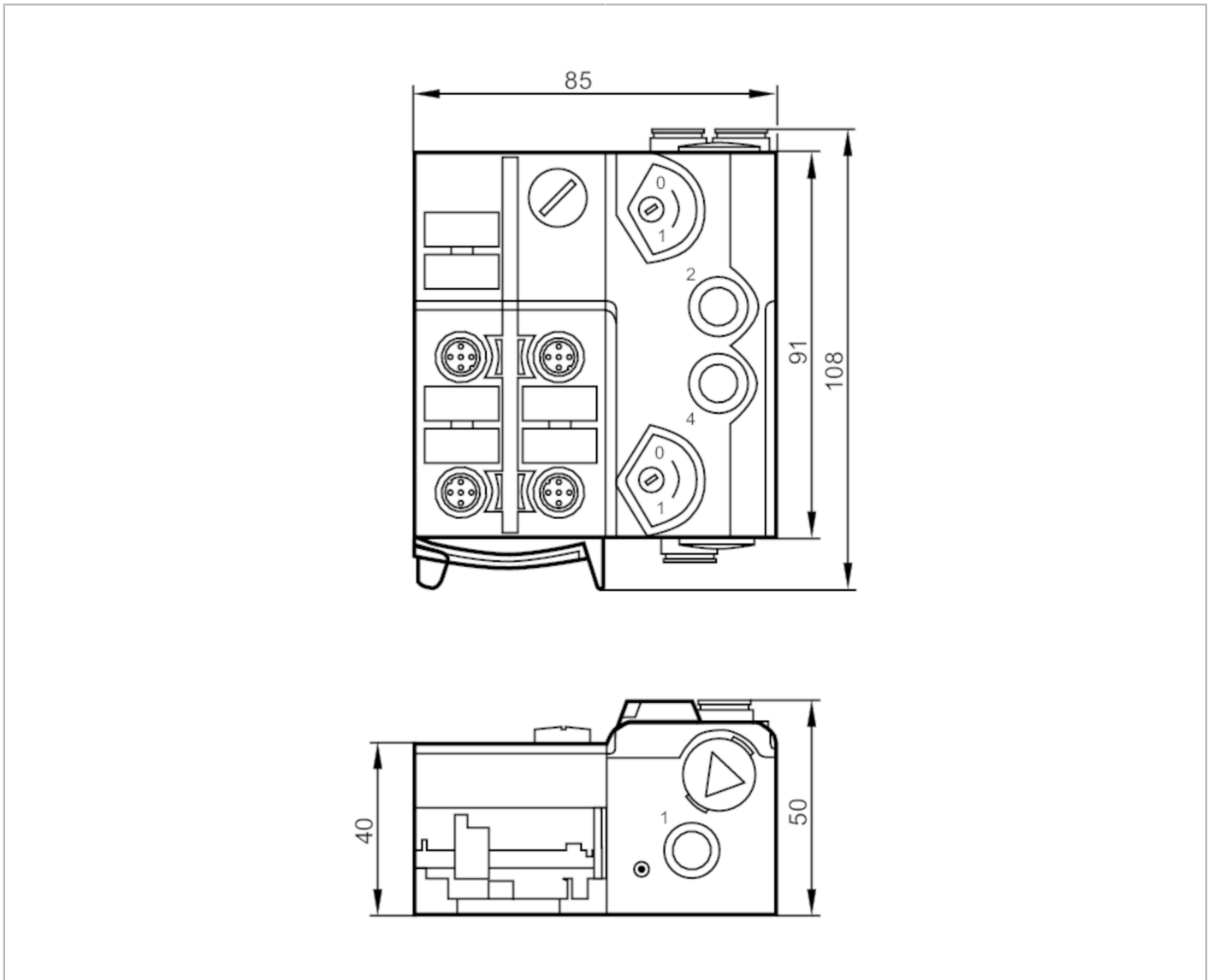


# AC570A



## AS-Interface Airbox with quick mounting technology

AirBox 5/3 closed 4DI-Y II 3D



### Electrical data

|                                    |      |                |
|------------------------------------|------|----------------|
| Operating voltage                  | [V]  | 26.5...31.6 DC |
| Max. current consumption from AS-i | [mA] | 280            |
| Integrated watchdog                |      | yes            |

### Inputs / outputs

|                              |   |
|------------------------------|---|
| Number of inputs and outputs | Number of digital inputs: 4; Number of pneumatic outputs: 2 |
|------------------------------|---|

# AC570A



## AS-Interface Airbox with quick mounting technology

AirBox 5/3 closed 4DI-Y II 3D

| Inputs  |                                     |       |           |       |           |
|---|-------------------------------------|-------|-----------|-------|-----------|
| Number of digital inputs                        | 4                                   |       |           |       |           |
| Input circuit of digital inputs                 | PNP                                 |       |           |       |           |
| Sensor supply of the inputs                     | AS-i                                |       |           |       |           |
| Voltage supply [V]                              | 20...30; (via flat cable)           |       |           |       |           |
| Max. total current rating of inputs [mA]        | 200                                 |       |           |       |           |
| Input current High [mA]                         | 6...10                              |       |           |       |           |
| Input current Low [mA]                          | 0...2                               |       |           |       |           |
| Min. switching level high signal [V]            | 11                                  |       |           |       |           |
| Digital inputs protected against short circuits | yes                                 |       |           |       |           |
| Outputs   |                                     |       |           |       |           |
| Electrical design                               | AS-i                                |       |           |       |           |
| Number of pneumatic outputs                     | 2                                   |       |           |       |           |
| Operating conditions                            |                                     |       |           |       |           |
| Ambient temperature [°C]                        | -10...50                            |       |           |       |           |
| Protection                                      | IP 50                               |       |           |       |           |
| Tests / approvals                               |                                     |       |           |       |           |
| ATEX marking                                    | Ex II 3D Ex tc IIIB T80°C Dc X IP50 |       |           |       |           |
| EMC   | EN 50295<br>IEC 61000-6-2           |       |           |       |           |
| MTTF [years]                                    | 258                                 |       |           |       |           |
| AS-i classification                             |                                     |       |           |       |           |
| AS-i version                                    | 2.11 + 3.0                          |       |           |       |           |
| AS-i addressing                                 | addressing socket                   |       |           |       |           |
| Extended addressing mode possible               | yes                                 |       |           |       |           |
| AS-i profile                                    | S-7.A.E                             |       |           |       |           |
| AS-i I/O configuration [hex]                    | 7                                   |       |           |       |           |
| AS-i ID code [hex]                              | A.E                                 |       |           |       |           |
| AS-i certificate pending                        | yes                                 |       |           |       |           |
| Assignment of the data bits                     | data bit                            | D0    | D1        | D2    | D3        |
|   | input                               | 1     | 2         | 3     | 4         |
|   | socket                              | I-1/2 | I-1/2 I-2 | I-3/4 | I-3/4 I-4 |
|   | pin                                 | 4     | 2 4       | 4     | 2 4       |
|   | pneumatic output                    | 2     | 4         | -     | -         |

# AC570A



## AS-Interface Airbox with quick mounting technology

AirBox 5/3 closed 4DI-Y II 3D

| Mechanical data   |  |             |
|---|--|-------------|
| Weight [g]  | 421  |             |
| Type of mounting  | AS-i flat cables directly connectable  |             |
| Materials   | PA; POM; piercing contacts: CuSn6 nickel-plated and tin-plated                             |             |
| Pneumatic system  | 1 x 5/3-way slide valves (free from overlapping); middle position blocked                  |             |
| Operating pressure range [bar]  | 3...8  |             |
| Operating pressure range [MPa]  | 0.3...0.8  |             |
| Air flow at 6/5 bar [l/min]   | 400  |             |
| Permissible compressed air  | non-lubricated compressed air class 6-3-1; lubricated compressed air class 6-3-4           |             |
| Manual override   | pressing/releasing or pressing/turning/locking   |             |
| Tube fittings   | 8 mm   |             |
| Exhaust   | exhaust can be discharged through tube connection  |             |
| Displays / operating elements   |  |             |
| Display   | operation  | LED, green  |
|   | errors   | LED, red    |
|   | function   | LED, yellow |
| Accessories   |  |             |
| Accessories (supplied)  | lower part   |             |
| Accessories (optional)  | Mounting plate, E74999   |             |
|   | Module lower part, E75000  |             |
|   | Protective cap: M12, E73004  |             |
|   | sealing plugs, E75231  |             |
|   | Impact protection housing, E7000A  |             |
|   | silencer, E75232   |             |
|   | Push-in L-fitting, E75228  |             |
| Push-in T-fitting, E75227   |  |             |
| Remarks   |  |             |
| Remarks   | Mechanical protection has to be implemented.   |             |
|   | Otherwise the unit must be installed together with the impact protection housing (E7000A). |             |
|   | If not pneumatically operated, E75231 sealing plug must be inserted.                       |             |
|   | Avoid ingress of dirt and dust.  |             |
|   | Do not connect any of the following points to an external potential:                       |             |
| L-, L+, I-1, I-2, I-3, I-4  |  |             |
| The connections are electrically connected with the AS-i cable.                     |  |             |
| Notes on compressed air and EMC/ESD at <a href="http://www.ifm.com">www.ifm.com</a> |  |             |
| Pack quantity   | 1 pcs.   |             |

# AC570A



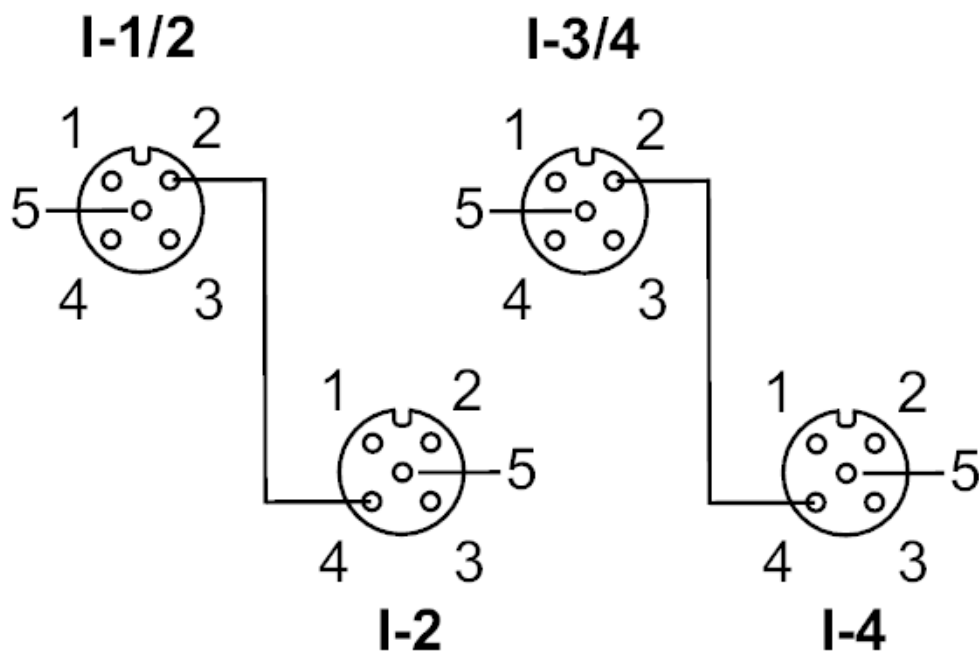
## AS-Interface Airbox with quick mounting technology

AirBox 5/3 closed 4DI-Y II 3D

### Electrical connection

quick mounting technology for AS-i flat cable: ; three orientations possible

### Connection



# AC570A



## AS-Interface Airbox with quick mounting technology

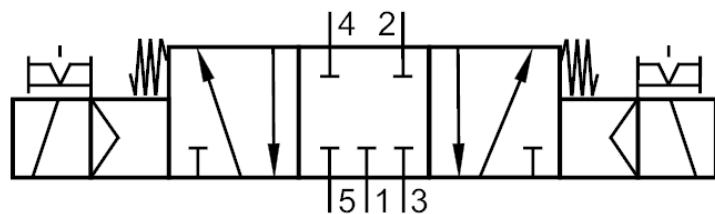
AirBox 5/3 closed 4DI-Y II 3D

|   | Inputs            |
|---|-------------------|
|   | socket I-1/2      |
| 1 | Sensor supply L+  |
| 2 | data input 2      |
| 3 | Sensor supply L-  |
| 4 | data input 1      |
| 5 | not used          |
|   | socket I-2        |
| 1 | Sensor supply L+  |
| 2 | not used          |
| 3 | Sensor supply L-  |
| 4 | data input 2      |
| 5 | not used          |
|   | socket I-3/4      |
| 1 | voltage supply L+ |
| 2 | data input 4      |
| 3 | Sensor supply L-  |
| 4 | data input 3      |
| 5 | not used          |
|   | socket I-4        |
| 1 | Sensor supply L+  |
| 2 | not used          |
| 3 | Sensor supply L-  |
| 4 | data input 4      |
| 5 | not used          |

Connector: M12

### Diagrams and graphs

Pneumatic symbol



1 x 5/3-way slide valves (free from overlapping); middle position blocked