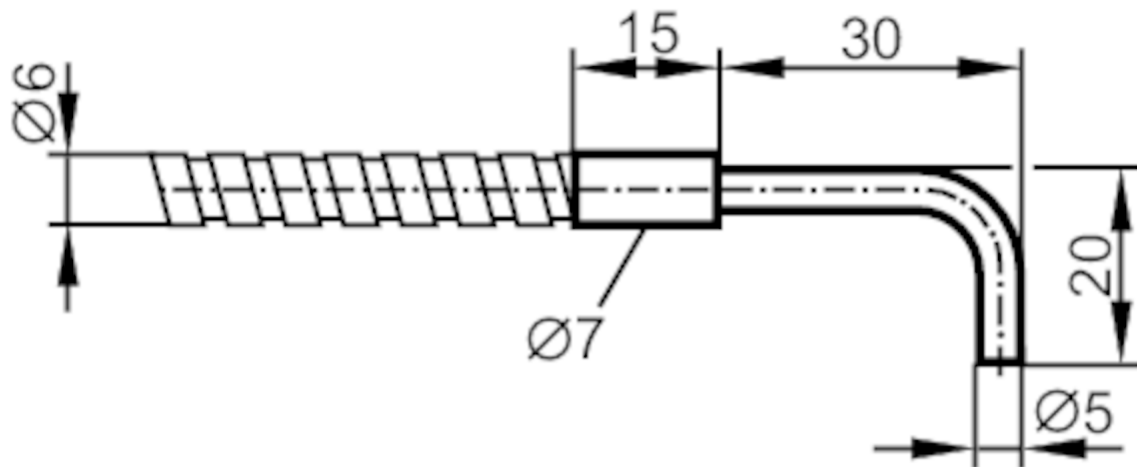




Fibre optic through beam sensor

FE-50-V-V-R5



Application

Function principle Through-beam sensor

Detection zone

Range with fibre optic amplifier type OBF; ODF; OMF

OBF

Range of fibre optics [mm] 1000

ODF

Range of fibre optics [mm] 4

OMF

Range of fibre optics [mm] 800

Operating conditions

Ambient temperature [°C] -58...315

E20828



Fibre optic through beam sensor

FE-50-V-V-R5

Mechanical data	
Weight [g]	174
Version of sensing head	angled
Sensing head diameter [mm]	5
Total length [mm]	900
Min. bending radius [mm]	19
Fibre arrangement	●
Fibre material	glass
Fibre head material	stainless steel (1.4305 / 303)
Fibre sheath material	stainless steel (1.4305 / 303)
Remarks	
Pack quantity	1 pcs.