

Product characteristics

Y connection cable

M12-plug / 2 x M12-socket

Free from silicone

Free from halogen

Gold-plated contacts

Electrical data

Electrical design

Operating voltage [V]

Current rating [A]

Protection class

Environment

Ambient temperature [°C]

Ambient temperature (moving) [°C]

Protection

Mechanical data

Design

Material body

Material nut

Tightening torque for knurled nut [Nm]

Drag chain suitability

Weight [kg]

Electrical connection

Connection

Sheath colour

Wiring

AC/DC

60 AC / 60 DC

3

II

-25...90

-25...90

IP 65 / IP 67 / IP 68 / IP 69K

2 way

plug: TPU orange; Socket: TPU orange; sealing: Viton

Brass; nickel-plated

0.6...1.5*

Bending radius for flexible applications:

min. 10 x cable diameter

max. 3.3 m/s for a horizontal travel length of 5 m and max. acceleration of

5 m/s²

Travel speed:

Bending cycles:

Torsional strain:

> 5 million

± 180 °/m

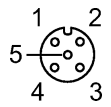
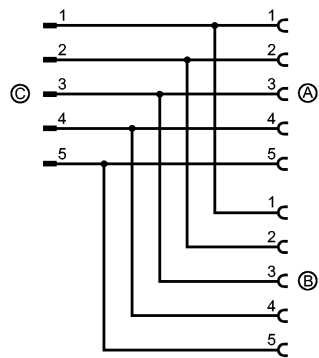
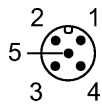
0.056

PUR cable / 0.1 m;

5 x 0.34 mm² (42 x Ø 0.1 mm); Ø 4.9 mm; halogen-free

black

EVC642 - Y connection cable - eclass: 27279201 / 27-27-92-01



Remarks

Remarks

*) Take into account the maximum value of the counterpart!

Pack quantity

[piece]

1