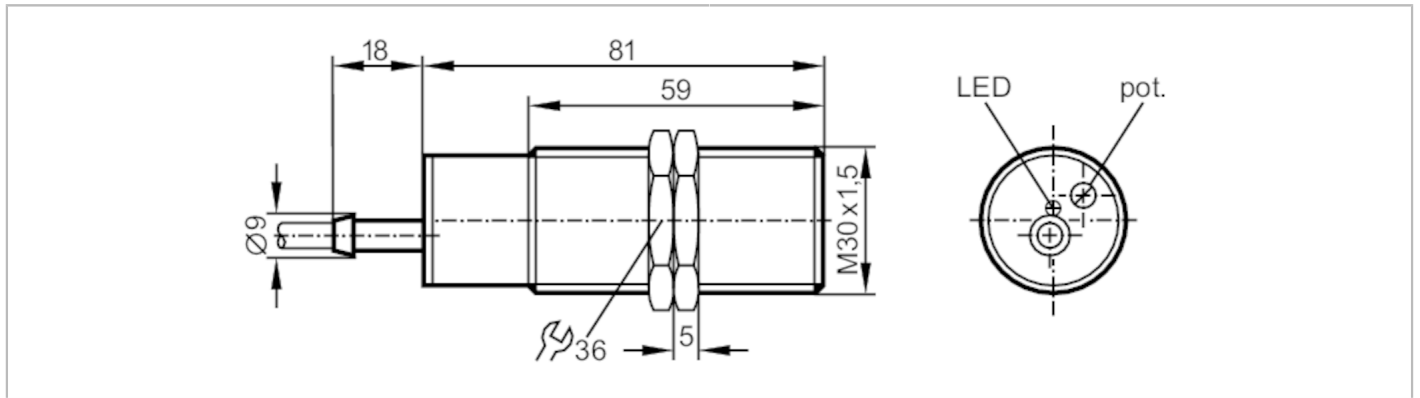




## Capacitive sensor

KI-3015-FPKG/NI/0,10M/PH/US100



### Product characteristics

Electrical design	PNP
Output function	normally open / normally closed; (selectable)
Sensing range [mm]	3...15
Housing	threaded type
Dimensions [mm]	M30 x 1.5 / L = 81

### Electrical data

Operating voltage [V]	10...36 DC
Current consumption [mA]	< 15
Protection class	II
Reverse polarity protection	yes

### Outputs

Electrical design	PNP
Output function	normally open / normally closed; (selectable)
Max. voltage drop switching output DC [V]	2.5
Permanent current rating of switching output DC [mA]	250
Short-time current rating of switching output [mA]	250
Switching frequency DC [Hz]	40
Short-circuit proof	yes
Overload protection	yes

### Detection zone

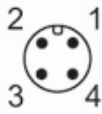
Sensing range [mm]	3...15
Sensing range adjustable	yes
Factory setting sensing range [mm]	15
Real sensing range $S_r$ [mm]	$15 \pm 10 \%$
Operating distance [mm]	0...12.1

# KI5209



## Capacitive sensor

KI-3015-FPKG/NI/0,10M/PH/US100

Accuracy / deviations		
Correction factor		glass: 0.4 / water: 1 / ceramics: 0.2 / PVC: 0.2
Hysteresis	[% of Sr]	1...15
Switch point drift	[% of Sr]	-15...15
Operating conditions		
Ambient temperature	[°C]	-25...80
Protection		IP 65
Tests / approvals		
MTTF	[years]	692
Mechanical data		
Weight	[g]	102.5
Housing		threaded type
Mounting		non-flush mountable
Dimensions	[mm]	M30 x 1.5 / L = 81
Thread designation		M30 x 1.5
Materials		PBT
Displays / operating elements		
Display	switching status	1 x LED, red
Accessories		
Accessories (supplied)		lock nuts: 2 screwdriver: 1
Remarks		
Pack quantity		1 pcs.
Electrical connection - plug		
Cable: 0.1 m, PUR		
Connector: 1 x M12		
		

# KI5209

## Capacitive sensor

KI-3015-FPKG/NI/0,10M/PH/US100

