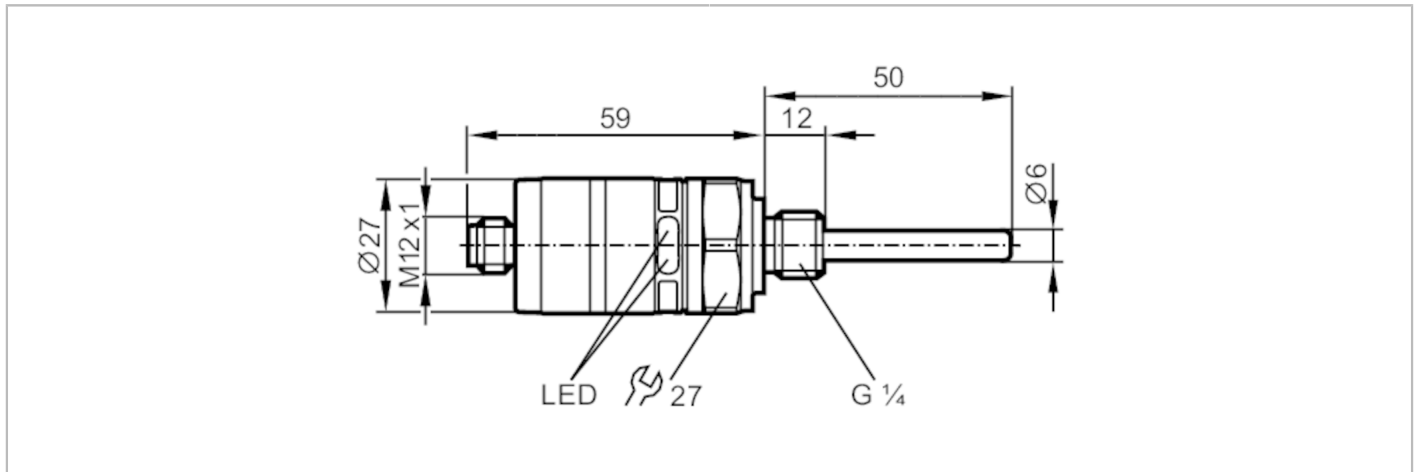


TK6110



Temperature switch with intuitive switch point setting

TK-050CLFR14-QKPKG / US



Product characteristics

Number of inputs and outputs	Number of digital outputs: 2	
Measuring range	-20...140 °C	-4...284 °F
Process connection	threaded connection G 1/4	
Installation length EL [mm]	50	

Application

Special feature	Gold-plated contacts	
Measuring element	1 x Pt 1000; (to DIN EN 60751, class A)	
Media	liquids and gases	
Medium temperature [°C]	-40...145	
Pressure rating [bar]	400	

Electrical data

Operating voltage [V]	9.6...32 DC; ("supply class 2" to cULus)	
Current consumption [mA]	< 30	
Protection class	III	
Reverse polarity protection	yes	
Power-on delay time [s]	0.5	

Inputs / outputs

Number of inputs and outputs	Number of digital outputs: 2	
------------------------------	------------------------------	--



Temperature switch with intuitive switch point setting

TK-050CLFR14-QKPKG / US

Outputs		
Total number of outputs		2
Output signal		switching signal
Electrical design		PNP
Number of digital outputs		2
Output function		complementary
Max. voltage drop switching output DC	[V]	2
Permanent current rating of switching output DC	[mA]	500
Short-circuit protection		yes
Type of short-circuit protection		pulsed
Overload protection		yes
Measuring/setting range		
Measuring range	-20...140 °C	-4...284 °F
Set point SP	-16...140 °C	3...284 °F
Reset point rP	-20...136 °C	-4...277 °F
Accuracy / deviations		
Temperature drift per 10 K	[K]	0.1 **)
Repeatability	[K]	± 0,1
Setting accuracy	[K]	± 3
Response times		
Dynamic response T05 / T09	[s]	1 / 3; (to DIN EN 60751)
Software / programming		
Adjustment of the switch point		setting rings
Operating conditions		
Ambient temperature	[°C]	-40...80
Note on ambient temperature		at medium temperature: < 80 °C
		-40...50 °C
		at medium temperature: < 145 °C
Storage temperature	[°C]	-40...100
Protection		IP 67
Tests / approvals		
EMC	DIN EN 61000-4-2 ESD	4 kV CD / 8 kV AD
	EN 61000-4-3 HF radiated	10 V/m
	DIN EN 61000-4-4 Burst	2 kV
	EN 61000-4-6 HF conducted	10 V
Shock resistance	DIN IEC 68-2-27	50 g (11 ms)
Vibration resistance	DIN EN 60068-2-6	20 g (10...2000 Hz)
MTTF	[years]	643.1
UL approval	UL Approval no.	K018

TK6110



Temperature switch with intuitive switch point setting

TK-050CLFR14-QKPKG / US

Mechanical data	
Weight [g]	104.5
Materials	stainless steel (1.4404 / 316L); PC; PBT; FKM
Materials (wetted parts)	stainless steel (1.4404 / 316L); FKM
Tightening torque [Nm]	35
Process connection	threaded connection G 1/4
Probe diameter [mm]	6
Installation length EL [mm]	50

Displays / operating elements		
Display	operation	LED, green
	switching status	LED, yellow

Remarks	
Remarks	**) in case of deviation from the reference condition 25 °C The values for accuracy apply to flowing water.
Pack quantity	1 pcs.

Electrical connection

Connector: 1 x M12; Contacts: gold-plated



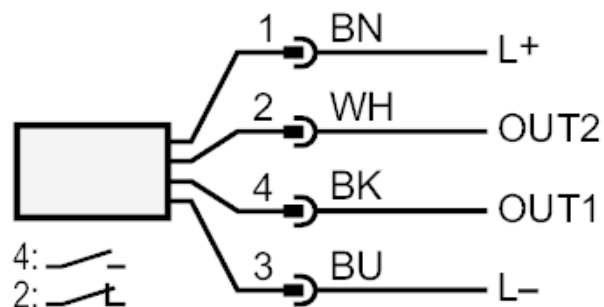
TK6110



Temperature switch with intuitive switch point setting

TK-050CLFR14-QKPKG / US

Connection



colours to DIN EN 60947-5-2

Core colours :

BK =	black
BN =	brown
BU =	blue
WH =	white