

MODLINK MSDD FRAME DBL TRANSPARENT

Closure Daimler

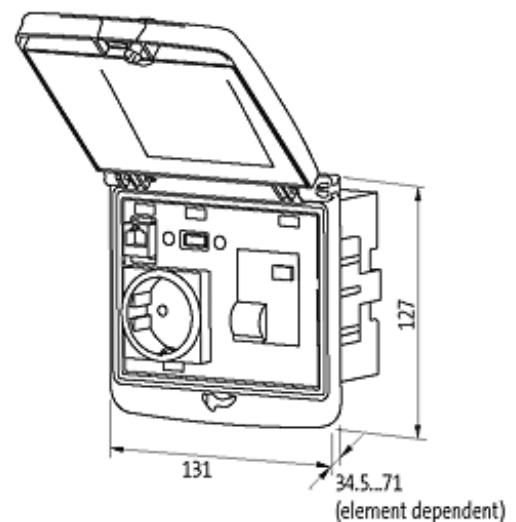
Mounting frame plastic PBT black

Lid: plastic, PC transparent

Closure: Daimler

[Link to Product](#)

Illustration



Product may differ from Image

Frame

suitable for mounting with wall thickness 1...5 mm

Protection IP65

Housing Mounting frame plastic PBT black, cap plastic PC transparent

Dimensions H × W × D	91×117×5
Temperature range	-30...+70 °C (storage temperature -30...+80 °C)

General data

Dimensions H × W × D	127×131×32 mm
----------------------	---------------

Commercial data

country of origin	DE
customs tariff number	85389099
minimum order quantity	1