

## UFL 34 L PLUG FOR SIGNAL TRANSFER

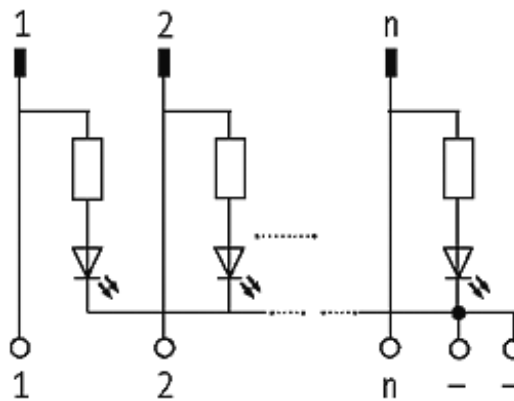
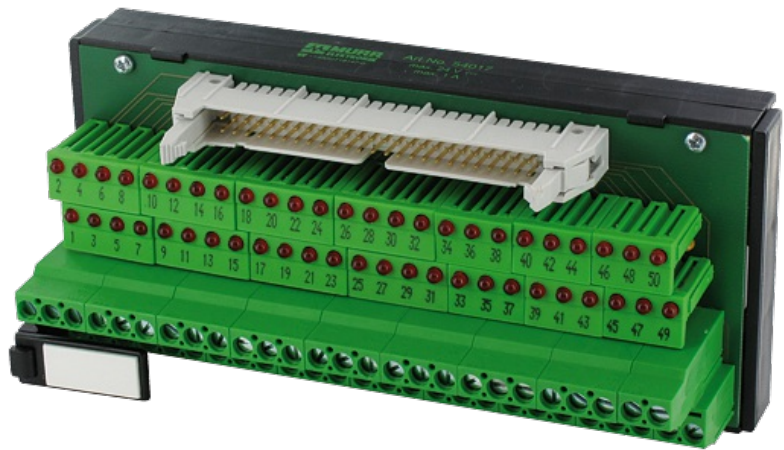
24 VDC / 1 A - male with LED

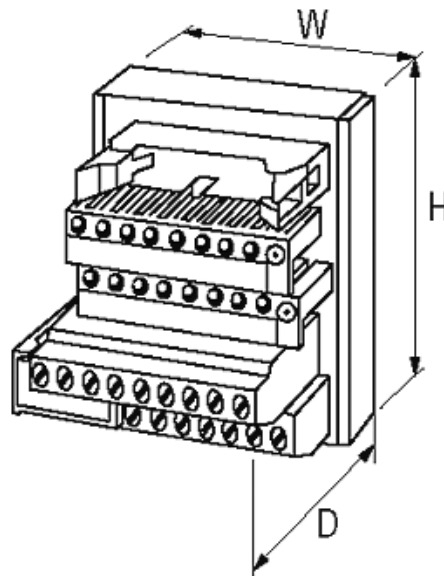
Ribbon cable connector + LED  
34-pole

Male connector Via the combined fixing mechanism, connectors with or without strain relief can be connected.

### [Link to Product](#)

#### Illustration





Product may differ from Image

### Technical Data

Operating voltage	24 V AC
Operating current per bit	max. 1 A
LED display	LED (red) Ø 3 mm per pole, acc. to potential -
Material group	(EN 60664-1) over voltage, category II
Plug connector	for plugs with or without strain relief (DIN 41651); for plugs with strain relief, it may be necessary to remove the bottom hook

### General data

Mounting method	DIN-rail mountable (EN 60715)
Temperature range	-20...+70 °C
Dimensions H x W x D	63x95x48 mm

### Commercial data

country of origin	CZ
customs tariff number	85366990
minimum order quantity	1