

MTS 1-PHASE CONTROL AND ISOLATION TRANSFORMER

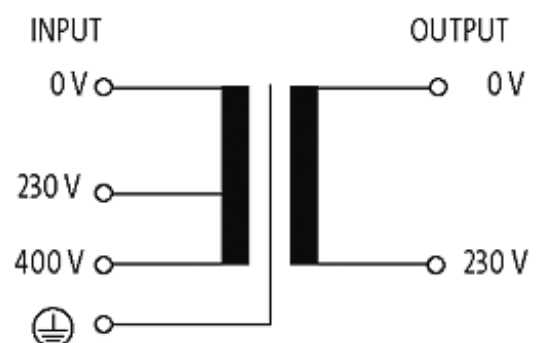
P: 250VA IN: 230/400VAC OUT: 230VAC

Single-phase - Control and Isolation Transformers
 250 VA
 Isolation class T 40/B
 Spring clamp terminals
 Protection IP20

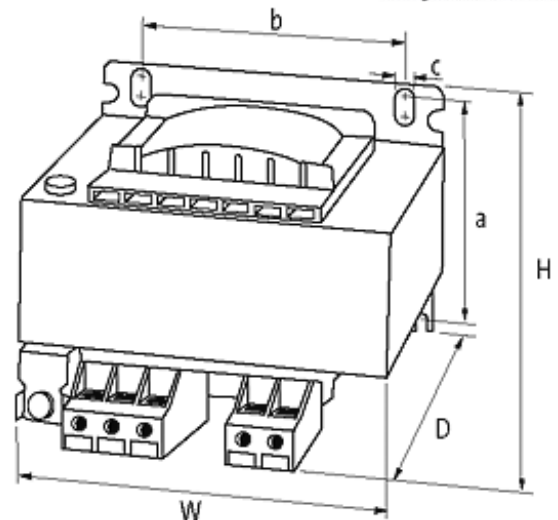
Other voltages on request.

[Link to Product](#)

Illustration



stay connected



Product may differ from Image

Approvals



Input

Input voltage	230/400 V AC
Frequency	50...60 Hz
Input current	1.17 A (230 V AC); 0.67 A (400 V AC)
Inrush current	8.35 A (230 V AC); 4.82 A (400 V AC)
Short-circuit current	17 A (230 V AC); 9.8 A (400 V AC)

General data

Standards	(EN 61558-1), (EN 61558-2-4), (EN 62041 category 0)
Test isolation voltage	4 kV (prim./sec.)
Mounting method	Long-hole mounting or DIN-rail mountable TH35 (EN 60715)
Temperature range	-20...+40 °C, no condensation
Dimensions H x W x D	102x96x108 mm
Fixing centers a x b x c	86.5x84x4.8 mm
Drill hole Ø	4.8x8.4 mm

Output

Output voltage	230 V AC
----------------	----------

Commercial data

country of origin	CZ
customs tariff number	85043180
minimum order quantity	1