



BOWDENCABLE INTERLOCK MODULE TOGGLE  
LEVER ACCESSORY FOR: 3VA2 100/160/250 3VA3  
160/250 3VA6 150/250 3VA7 150/250

Model

product brand name SENTRON

General Product Approval	EMC	Declaration of Conformity	other
--------------------------	-----	---------------------------	-------



[other](#)



EG-Konf.

[other](#)

Further information

**Information- and Downloadcenter (Catalogs, Brochures,...)**  
<http://www.siemens.com/lowvoltage/catalogs>

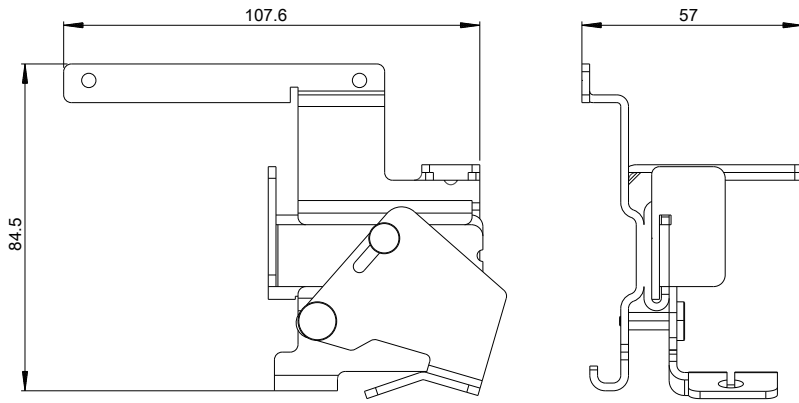
**Industry Mall (Online ordering system)**  
<https://eb.automation.siemens.com/mall/en/WW/Catalog/Product/3VA91670VF10>

**Service&Support (Manuals, Certificates, Characteristics, FAQs,...)**  
<http://support.automation.siemens.com/WW/view/en/3VA91670VF10/all>

**Image database (product images, 2D dimension drawings, 3D models, device circuit diagrams, ...)**  
[http://www.automation.siemens.com/bilddb/cax\\_en.aspx?mlfb=3VA91670VF10](http://www.automation.siemens.com/bilddb/cax_en.aspx?mlfb=3VA91670VF10)

**CAX-Online-Generator**  
<http://www.siemens.com/cax>

**Tender specifications**  
<http://ausschreibungstexte.siemens.com/tiplv>



last modified:

11.03.2015