

March 22, 2019

## Product information

### Product identification label for production control

To optimize production processes, the following EPCOS EMC standard products are being given an additional product identification label. This label is intended exclusively for internal production control.

#### Affected products

Ordering code	Type
B84233A1500R000	LeaXield
B84142A*166	2-line filters
B84142A*G075	
B84142A*R000	
B84142A*R122	
B84142A*R123	
B84142A*S081	
B84142B*R000	
B84142C*S081	
B84142J*S081	
B84742A*R190	
B84771*	
B84773*	
B84776*	
B84143A*166	
B84143A*R000	
B84143A*R021	
B84143A*R105	
B84143A*R106	
B84143A*R107	
B84143A*R410	
B84143B*R000	
B84143B*R110	
B84143B*R410	
B84143B*S020	
B84143B*S021	
B84143B*S024	
B84143B*S080	
B84143B*S081	
B84143D*R127	
B84143G*R110	
B84143K*S081	
B84243*	

#### TDK Electronics AG

Rosenheimer Strasse 141 e, 81671 Munich · Post: P.O.Box 80 17 09, 81617 Munich, Germany  
 Headquarters: Munich · Commercial register of the local court (Amtsgericht): Munich HRB 127250  
 Chairman of the Supervisory Board: Dr. Werner Faber  
 Management Board: Joachim Zichlarz, Chairman · Joachim Thiele · Dr. Werner Lohwasser  
[www.tdk-electronics.tdk.com](http://www.tdk-electronics.tdk.com)

#### EMC Filters, Feedthrough Components

Internal / External

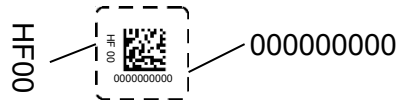
190322EMC1e

March 22, 2019

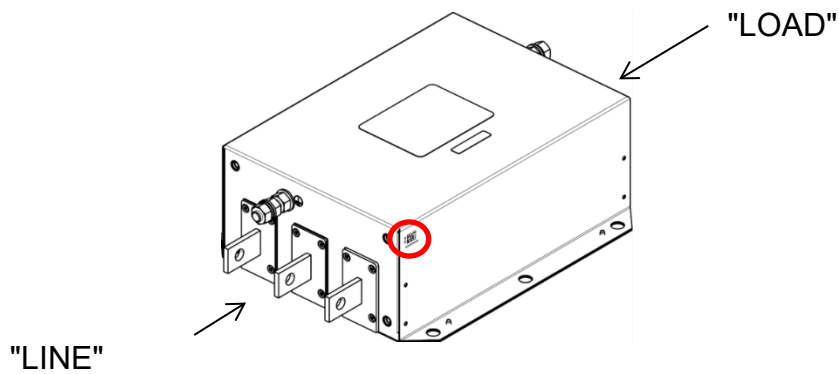
Ordering code	Type
B84108*	4-line filters
B84131*	
B84144A*R000	
B84144A*R120	
B84144A*R140	
B84144A*R249	
B84144B*S120	
B84144B*S121	
B84143V*R027	Output filters
B84143V*R127	
B84143V*R227	
B84143V*R229	
B84143V*R230	
B84143V*R231	
B84143V*R290	
B84143V*S229	
B84143V*S230	
B84143V*S231	
B86301U*	
B86305L*	
B86306A*	
B84143G*R405	LCL filters
B84143G*S405	
B84260*	Filters for shielded rooms
B84261*	
B84263*	
B84299*	

March 22, 2019

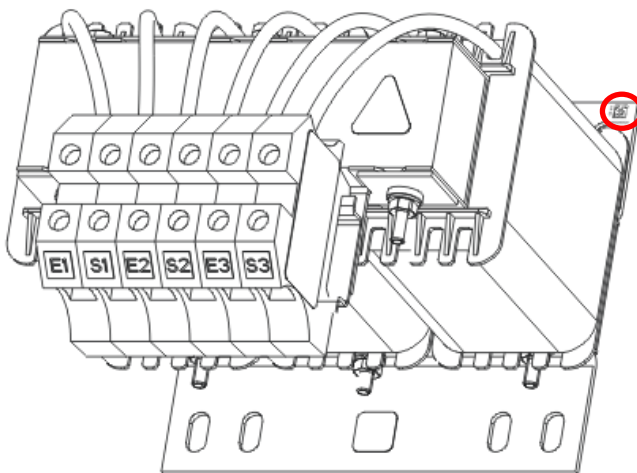
**Example 1: Appearance of the label**



**Example 2: Position of the label on EMC filters**



**Example 3: Position of the label on chokes and output filters**



March 22, 2019

The attachment of the label has no effect on quality of the products concerned or their ability to be processed. The electrical and mechanical properties remain unchanged.

**Starting immediately** the new production identification labels will be affixed successively to the various types. During a transitional phase it may happen that products are shipped with or without the additional label.

**Contact** Sarah Guengoer, MAG PEMC PM, Munich

**Customers are asked to address inquiries directly to their sales contacts.**