

# Navigation Switch

## Push and Lever

multicomp<sup>PRO</sup>



### Specifications:

#### Mechanical:

Operating force	: Centre push 200 ±100gf Lever {CW.CCW} 70 ±50gf
Operating temperature range	: -10°C to +60°C
Storage temperature range	: -30°C to 80°C
Mechanical life	: 100,000 cycles

#### Electrical:

Electrical life	: 100,000 cycles
Rating	: 10mA, 5V DC
Maximum contact resistance	: 500Ω
Minimum insulation resistance	: 100MΩ at 100V DC
Dielectric strength	: 100V AC/1 minute
Circuit	: Single pole single throw

#### Material:

Cover	: Stainless steel
Base	: Nylon high-temperature thermoplastic
Colour	: Black
Stem	: Nylon high-temperature thermoplastic
Colour	: Black
Contact	: Phosphor bronze with silver cladding at contact surface
Terminal	: Phosphor bronze with silver cladding at contact surface
Spring	: Stainless steel

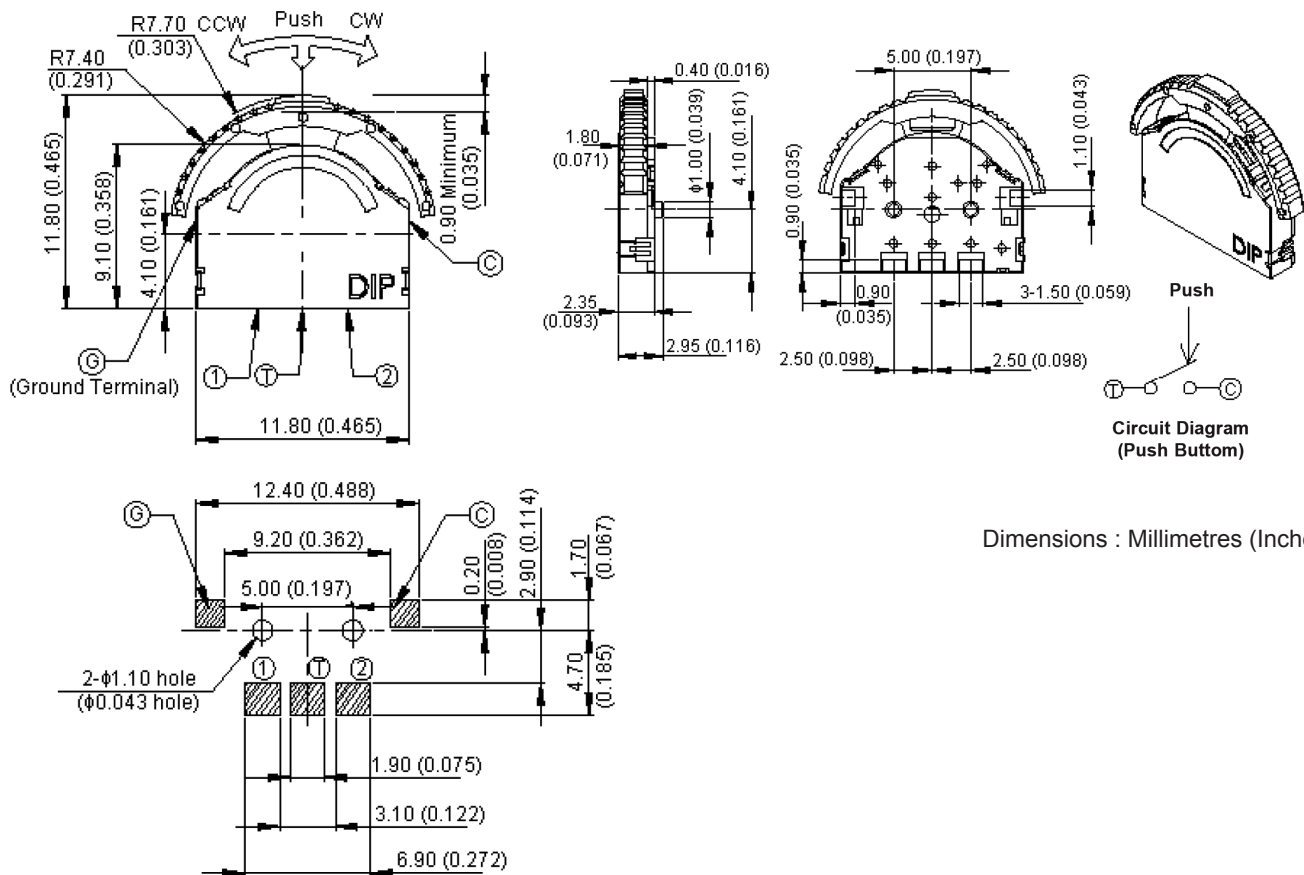
### Soldering Process:

Hand Soldering : Use a soldering iron of 30 watts, controlled at 350°C approximately maximum 5 seconds while applying.

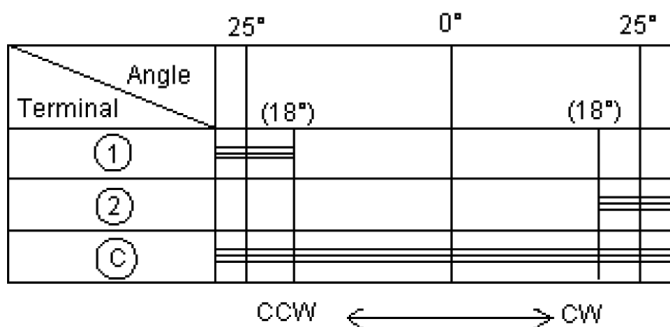
# Navigation Switch Push and Lever

**multicomp** PRO

## MCPL3-AC-V



## PCB Layout



## Code Table

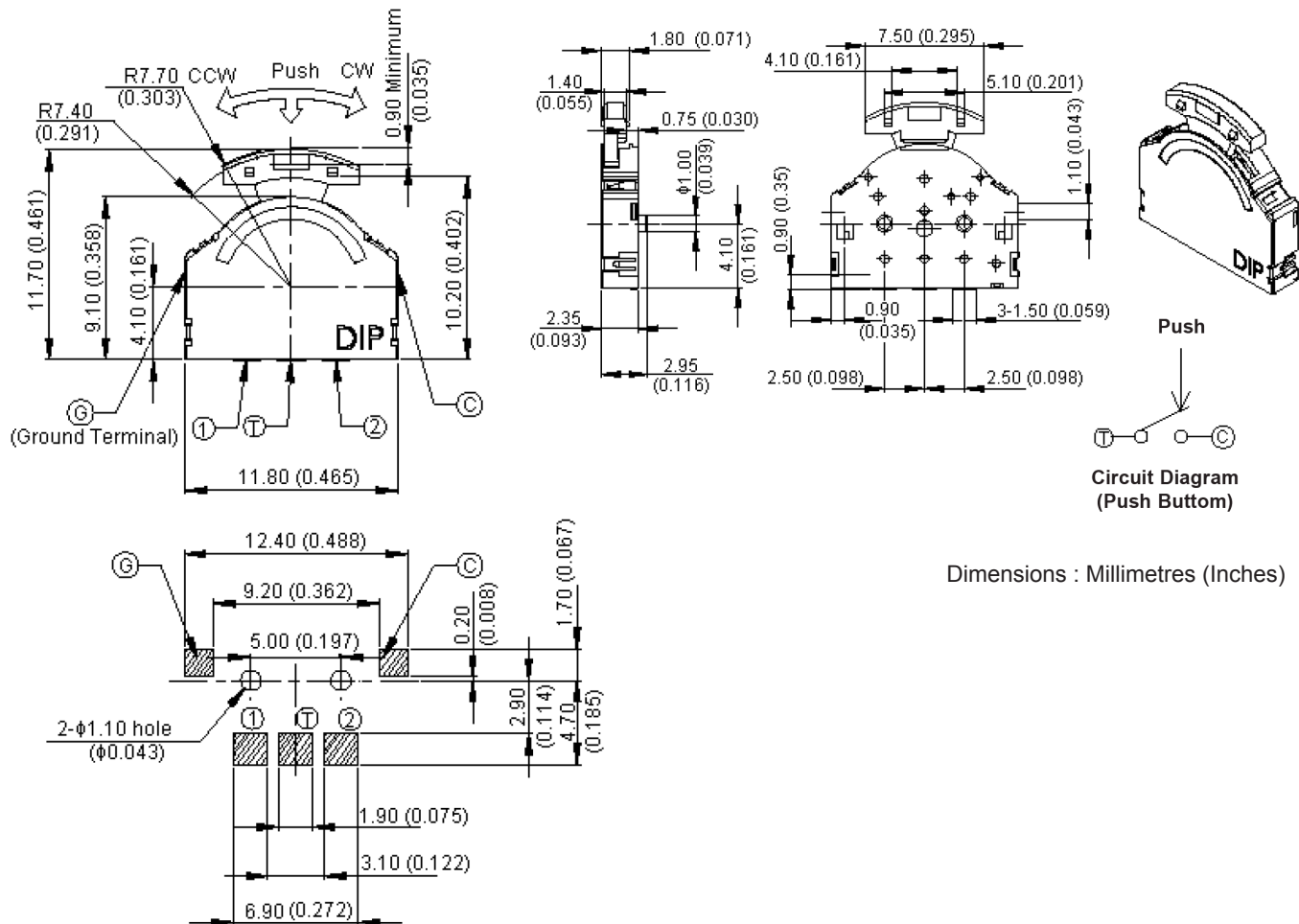
Newark.com/multicomp-pro  
Farnell.com/multicomp-pro  
Element14.com/multicomp-pro

**multicomp** PRO

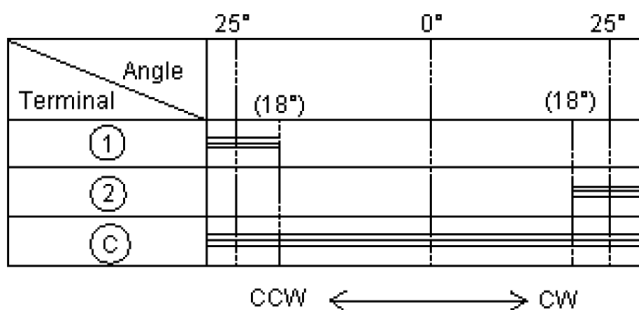
# Navigation Switch Push and Lever

**multicomp** PRO

## MCPL3-BC-V



## PCB Layout



## Code Table

Newark.com/multicomp-pro  
Farnell.com/multicomp-pro  
Element14.com/multicomp-pro

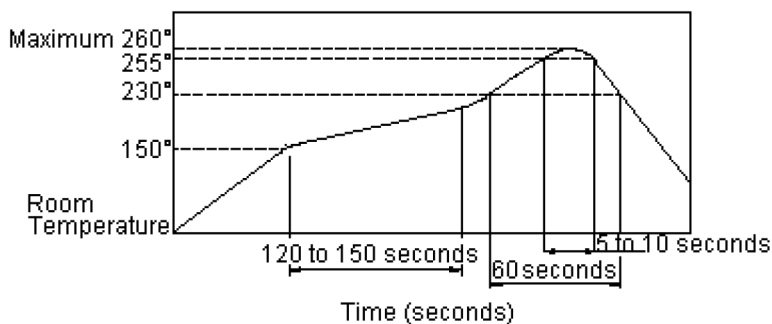
**multicomp** PRO

# Navigation Switch

## Push and Lever

**multicomp** PRO

### Temperature Profile:



### Part Number Table

Description	Part Number
Navigation Switch, 3 Way SMD	MCPL3-AC-V
	MCPL3-BC-V

**Important Notice :** This data sheet and its contents (the "Information") belong to the members of the AVNET group of companies (the "Group") or are licensed to it. No licence is granted for the use of it other than for information purposes in connection with the products to which it relates. No licence of any intellectual property rights is granted. The Information is subject to change without notice and replaces all data sheets previously supplied. The Information supplied is believed to be accurate but the Group assumes no responsibility for its accuracy or completeness, any error in or omission from it or for any use made of it. Users of this data sheet should check for themselves the Information and the suitability of the products for their purpose and not make any assumptions based on information included or omitted. Liability for loss or damage resulting from any reliance on the Information or use of it (including liability resulting from negligence or where the Group was aware of the possibility of such loss or damage arising) is excluded. This will not operate to limit or restrict the Group's liability for death or personal injury resulting from its negligence. Multicomp Pro is the registered trademark of Premier Farnell Limited 2019.

Newark.com/multicomp-pro  
 Farnell.com/multicomp-pro  
 Element14.com/multicomp-pro

**multicomp** PRO