

# Smart Graphics Displays



## OM-SGD Series



OM-SGD-24-M, 2.4" display.

OM-SGD-28-M, 2.8" display.

OM-SGD-35-M, 3.5" display.

All models shown smaller than actual size.

- ✓ **Color TFT Display—Choice of Three Screen Sizes**
- ✓ **Software Configurable—Multiple Display Configurations Included to Begin Programming**
- ✓ **Panel Mount**
- ✓ **Voltage or Current Input Models**
- ✓ **Two NEMA 6 (IP67) Waterproof (-IP) Models**
- ✓ **Wide Operating Power Supply Voltage Range: 4 to 30 Vdc**
- ✓ **Two Alarm Outputs**

The OM-SGD Series is a family of panel meters with smart graphics display. Using the simple wizard based configuration software you can select from any of over 40 standard display configurations to start with. Users can then customize colors, text labels, input scaling and units before uploading the selected display configuration to the meter via USB interface to the PC.

The configuration software is compatible with Windows® XP (SP3), Vista, 7 and 8 and can be downloaded free online at OMEGA.



Choose from over 40 configurations and customize in seconds to your exact requirements.

Each of the three display sizes 61, 71, 89 mm (2.4", 2.8", 3.5") is available as either a dual voltage input model or 4 to 20 mA input model. Waterproof NEMA 6 (IP67) rated versions of the 2.4" display are also available. A thermocouple add-on board is available for use with the six standard meters. The thermocouple add-on board is not compatible with the waterproof versions (OM-SGD-24-M-IP, OM-SGD-24-M-IP420). This will measure temperature via any Type J, K or T thermocouple.



OM-SGD-24-M-IP, waterproof smart graphics display, shown smaller than actual size.



OM-SGD-ADPT-TC, thermocouple adapter available for temperature monitoring applications shown connected to the back of the OM-SGD-24-M display. Shown smaller than actual size.

**Current Input (OM-SGD-24-M-420, OM-SGD-24-M-IP420, OM-SGD-28-M-420, OM-SGD-35-M-420):** 4 to 20 mA typical, 0 mA min, 50 mA max

**Loop Voltage Drop (Current Input Models):** 0.4 to 2.0V typical, 0V min, 5.0V max

**Input Connection:** Screw terminals for all models except waterproof models OM-SGD-24-M-IP and OM-SGD-24-M-IP420 which have NEMA 6 (IP67) 12-way connection

**Alarm Outputs:** 2 open-collector outputs (sink up to 10 mA max each)

**Accuracy:** 0.05% typical, 0.1% max

**Linearity:** ±1 count max (depends on user calibration settings)

**Sample Rate:** 3 samples/sec max

**Display:** Color TFT, 320 x 240 pixel, 16-bit color

**Software:** Windows® XP/Vista/7/8

**Operating Temperature Range:** 0 to 40°C (32 to 104°F)

**Weight:**

**OM-SGD-24-M, OM-SGD-24-M-420:** 96 g (3.4 oz)

**OM-SGD-24-M-IP, OM-SGD-24-M-IP420:** 255 g (9.0 oz)

**OM-SGD-28-M, OM-SGD-28-M-420:** 114 g (4.0 oz)

**OM-SGD-35-M, OM-SGD-35-M-420:** 162 g (5.7 oz)

**POWER**

**Supply Voltage:** 4 to 30 Vdc (from external power supply or via USB connection, compatible with USB 1.0 and 2.0)

**Supply Current (Voltage Dependent):** 35 to 190 mA for all models except OM-SGD-35-M which is 50 to 300 mA

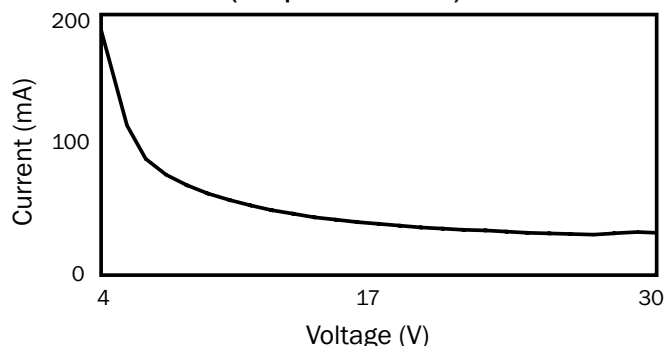
## Specifications

### INPUT

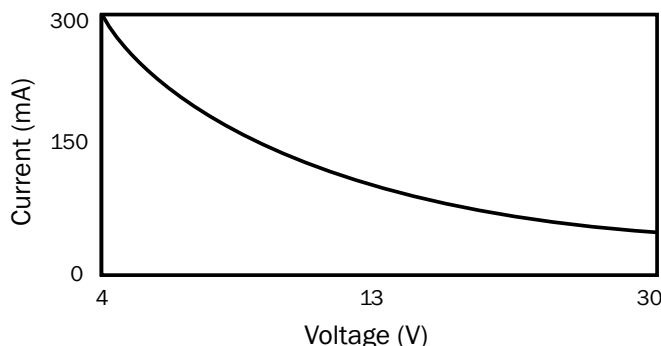
**Voltage Input (OM-SGD-24-M, OM-SGD-24-M-IP, OM-SGD-28-M, OM-SGD-35-M):** Accepts 2 voltage inputs, each channel can be programmed independently from 8 available ranges; voltage inputs are single-ended (power supply V+, Input 1 and Input 2 share a common ground)

Voltage Range (V)	Resolution (mV)
0 to 1.25	0.3
0 to 2.5	0.6
0 to 4	1.0
0 to 5	1.2
0 to 8	2.0
0 to 10	2.4
0 to 20	4.9
0 to 40	9.8

Typical supply current for all models (except OM-SGD-35-M)

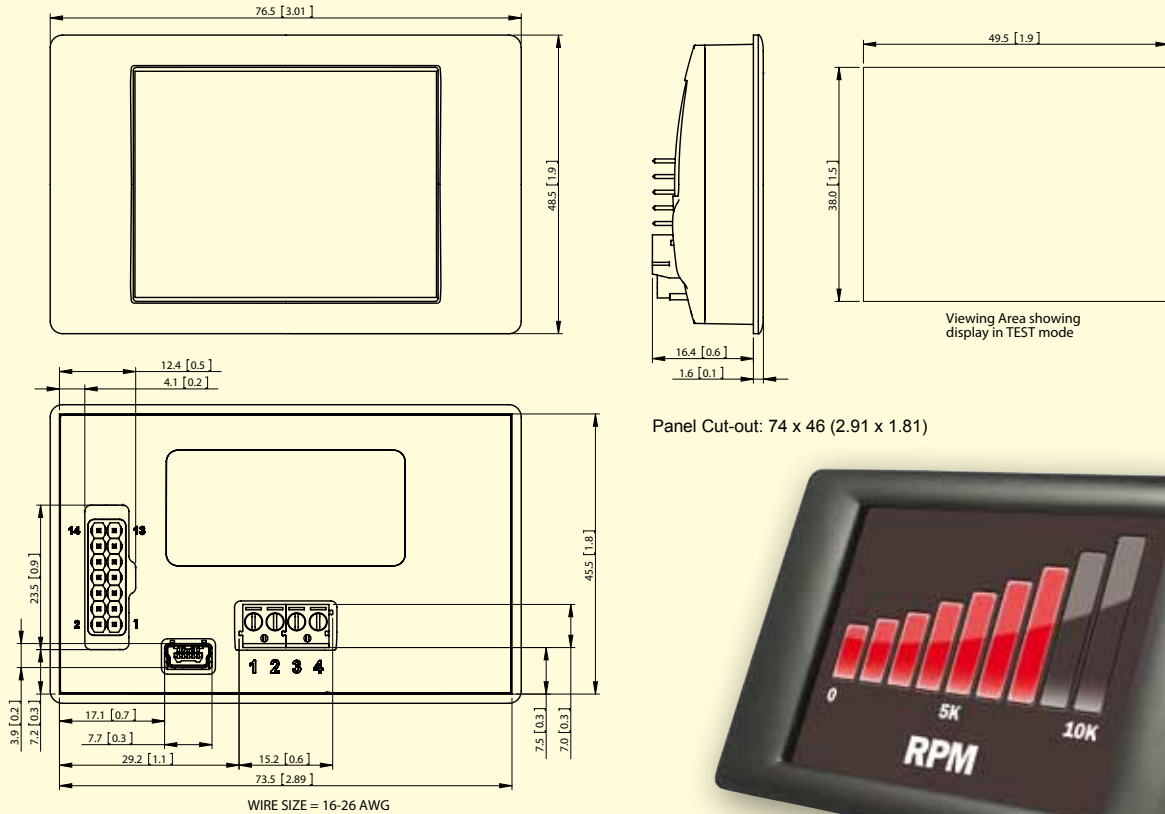


Typical supply current for OM-SGD-35-M



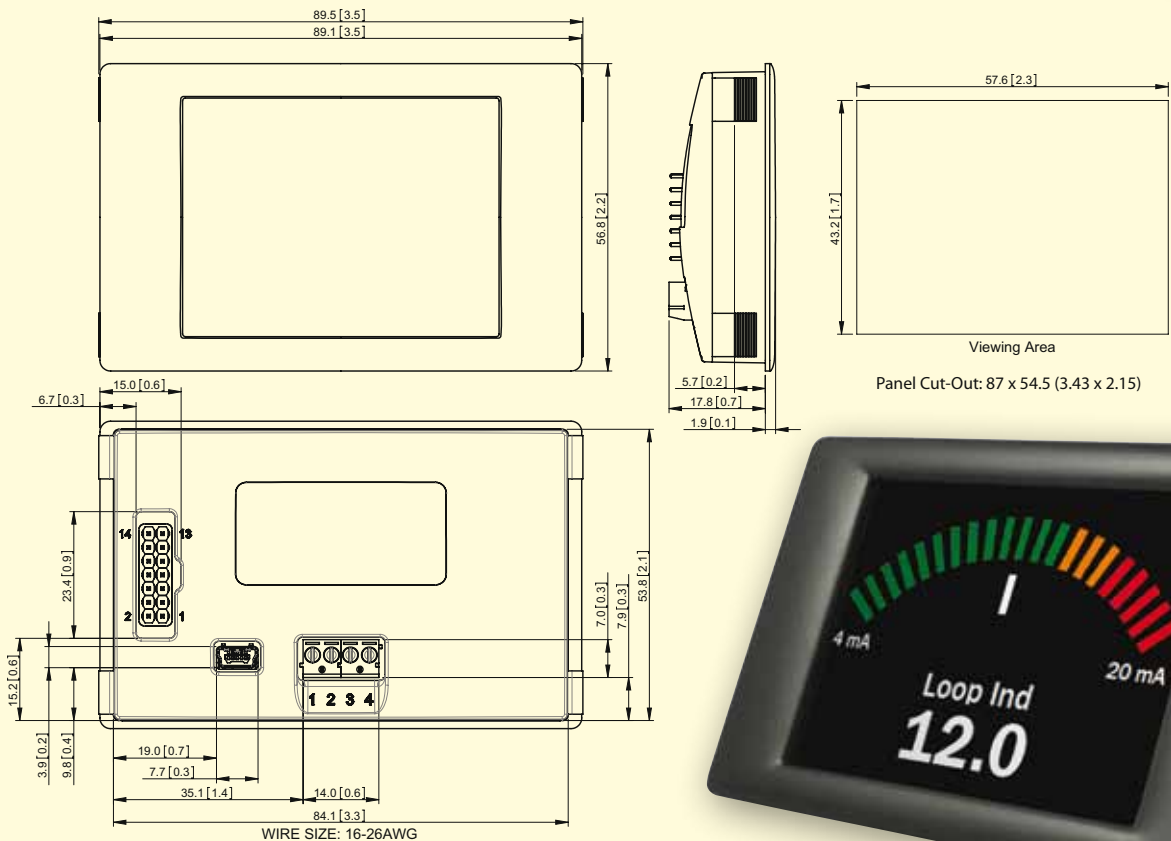
Dimensions: mm (inch)

OM-SGD-24-M and OM-SGD-24-M-420



Dimensions: mm (inch)

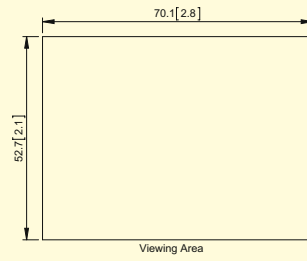
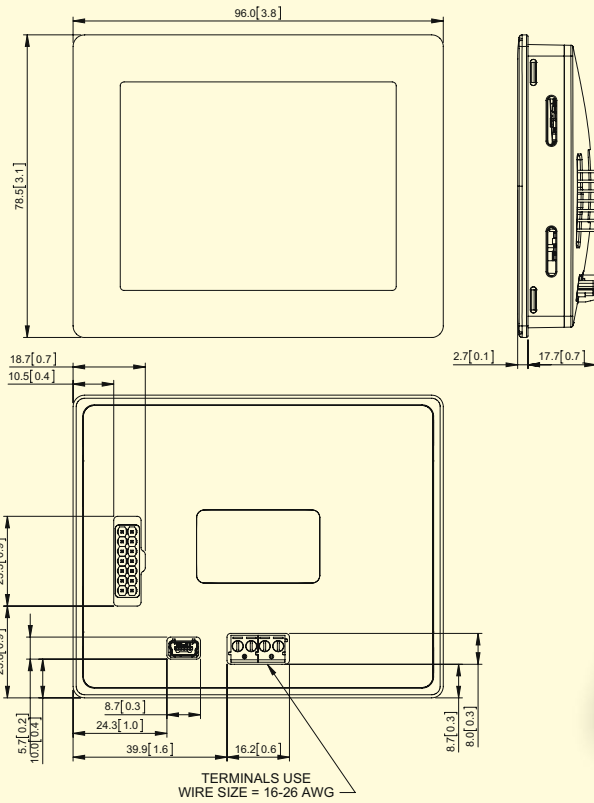
OM-SGD-28-M and OM-SGD-28-M-420





Dimensions: mm (inch)

OM-SGD-35-M and OM-SGD-35-M-420

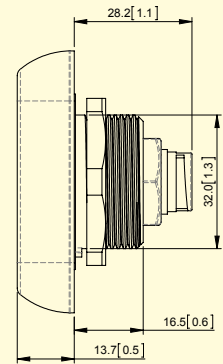
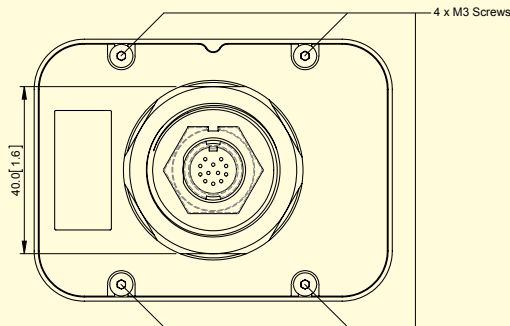
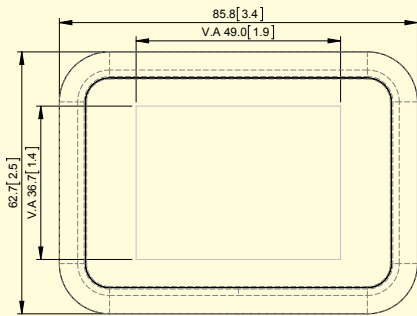


Panel Cut-out: 92 x 75 (3.62 x 2.95)

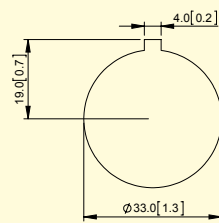
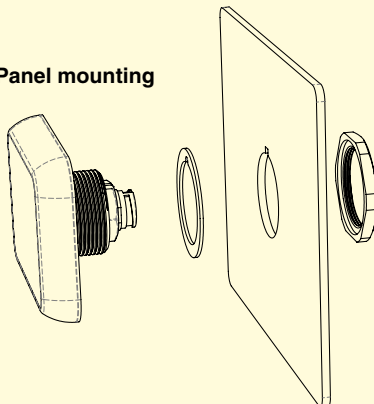


Dimensions: mm (inch)  
Ø=diameter

OM-SGD-24-M-IP and OM-SGD-24-M-IP420



Panel mounting



Panel cut-out







All models shown smaller than actual size.



OM-SGD-24-M, 2.4" display.

OM-SGD-28-M, 2.8" display.

OM-SGD-35-M, 3.5" display.



OMEGACARE<sup>SM</sup> extended warranty program is available for models shown on this page. Ask your sales representative for full details when placing an order. OMEGACARE<sup>SM</sup> covers parts, labor and equivalent loaners.

## To Order

Model No.	Description
<b>Voltage Input (2 inputs)</b>	
OM-SGD-24-M	2.4" smart graphics display
OM-SGD-24-M-IP	2.4" waterproof smart graphics display
OM-SGD-28-M	2.8" smart graphics display
OM-SGD-35-M	3.5" smart graphics display
<b>Current Input (1 input)</b>	
OM-SGD-24-M-420	2.4" smart graphics display
OM-SGD-24-M-IP420	2.4" waterproof smart graphics display
OM-SGD-28-M-420	2.8" smart graphics display
OM-SGD-35-M-420	3.5" smart graphics display

## Accessories

Model No.	Description
OM-SGD-ADPT-TC	Thermocouple input module (for use with all models except waterproof models OM-SGD-24-M-IP and OM-SGD-24-M-IP420)
OM-CABLE-IP-12W-RA	Right angle waterproof connector cable for OM-SGD-24-M-IP and OM-SGD-24-M-IP420, 2 m (6.6') length
OM-CABLE-USB-A-MF	0.45 m (1.5') USB cable, type A to mini B

Comes complete with quick start manual. Waterproof models **OM-SGD-24-M-IP** and **OM-SGD-24-M-IP420** include 32 mm mounting nut and IP67 connector. All other models include panel mounting clip. USB interface cable is required for programming and is sold separately.

**Ordering Example:** **OM-SGD-35-M** 3.5" smart graphics display and **OCW-1**, OMEGACARE<sup>SM</sup> extends standard 1-year warranty to a total of 2 years.