

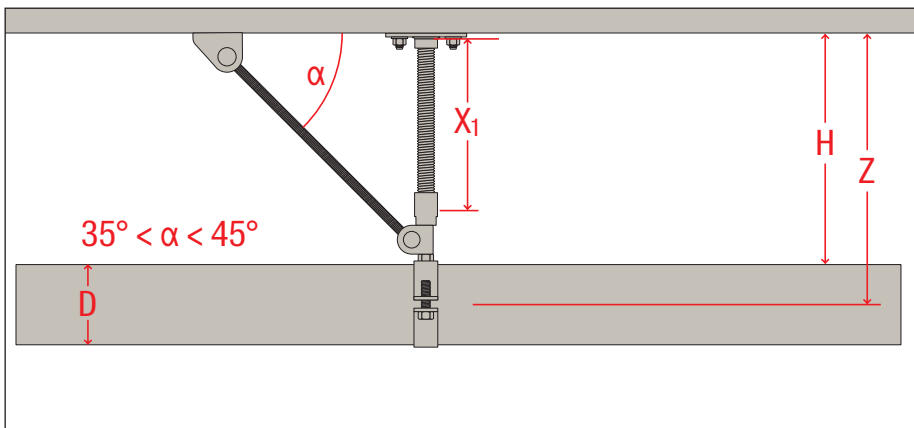
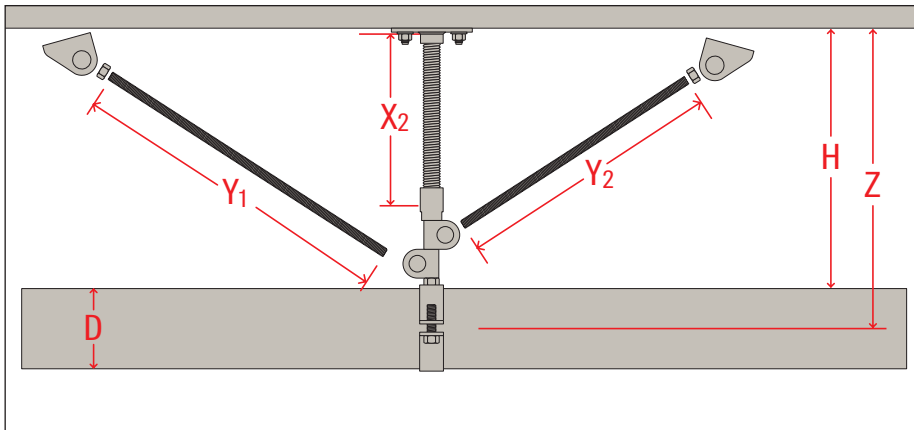
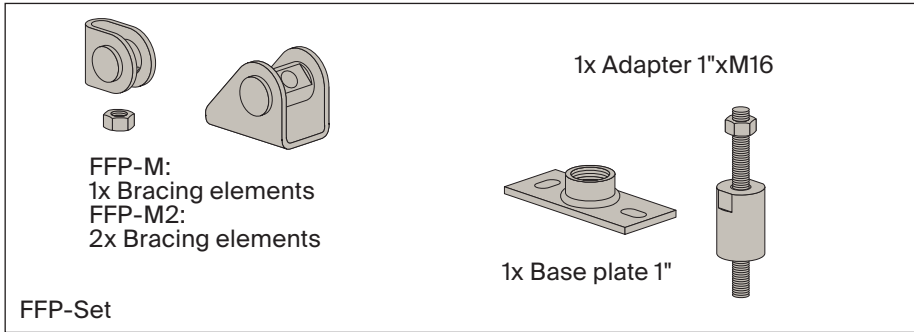
fischer 

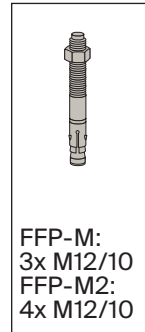
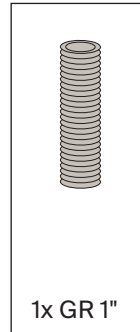
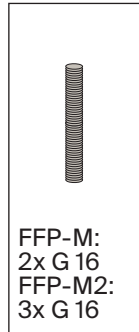
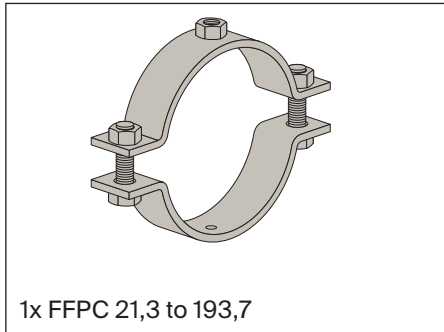
FFP-M #567701
FFP-M2 #567702

DE Bedienungsanleitung
EN Operating instructions
FR Manuel d'utilisation
NL Gebruiksaanwijzing
IT Manuale d'uso

ES Manual de instrucciones
TR Kullanım Kılavuzu
SV Bruksanvisning
FI Käyttöohje
NO Bruksanvisning

DA Betjeningsvejledning
PL Instrukcja obsługi
SK Používateľská príručka
HU Használati útmutató
CS Návod k obsluze





FFPC:

H [mm]	X ₁ [mm]	X ₂ [mm]	Y ₁ (45°) [mm]	Y ₂ (45°) [mm]
200	87	37	197	126
300	187	137	338	267
400	287	237	479	409
500	387	337	621	550
600	487	437	762	692
700	587	537	904	833
800	687	637	1045	974
900	787	737	1187	1116
1000	887	837	1328	1257
1100	987	937	1469	1399
1200	1087	1037	1611	1540
1300	1187	1137	1752	1682
1400	1287	1237	1894	1823
1500	1387	1337	2035	1964

$$H = Z - D/2$$

$$Z = H + D/2$$

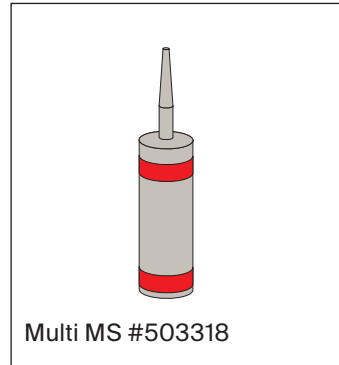
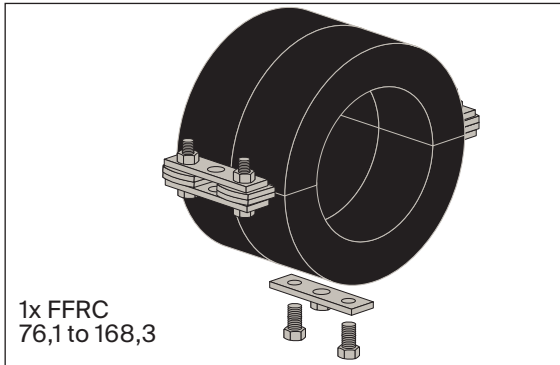
FFP-M:
 $X_1 = H - 113$

FFP-M2:
 $X_2 = H - 163$

$$Y_1 = \frac{H - 85}{\sin \alpha} + 35$$

$$Y_2 = \frac{H - 135}{\sin \alpha} + 35$$





FFSRC ≤ 108 mm: S = 30 mm · FFSRC 114-168 mm: S = 40

	X ₁ (mm)	X ₁ (mm)	X ₂ (mm)	X ₂ (mm)	Y ₁ (45°) [mm]		Y ₂ (45°) [mm]	
H [mm]	S = 30 mm	S = 40 mm	S = 30 mm	S = 40 mm	S = 30 mm	S = 40 mm	S = 30 mm	S = 40 mm
300	157	147	107	97	297	282	226	212
400	257	247	207	197	438	424	367	353
500	357	347	307	297	579	565	509	495
600	457	447	407	397	721	707	650	636
700	557	547	507	497	862	848	792	777
800	657	647	607	597	1004	990	933	919
900	757	747	707	697	1145	1131	1074	1060
1000	857	847	807	797	1287	1272	1216	1202
1100	957	947	907	897	1428	1414	1357	1343
1200	1057	1047	1007	997	1569	1555	1499	1485
1300	1157	1147	1107	1097	1711	1697	1640	1626
1400	1257	1247	1207	1197	1852	1838	1782	1767
1500	1357	1347	1307	1297	1994	1980	1923	1909

$$H = Z - D/2$$

$$Z = H + D/2$$

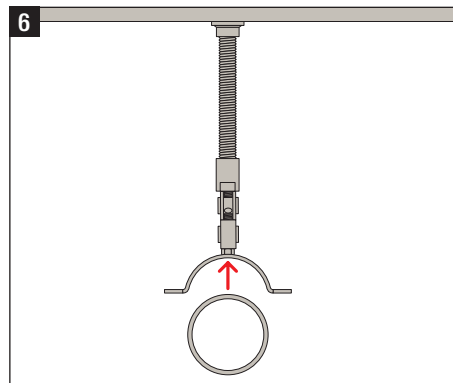
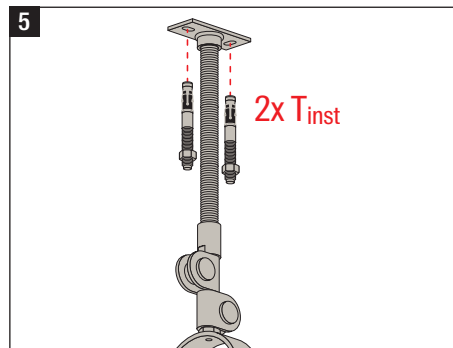
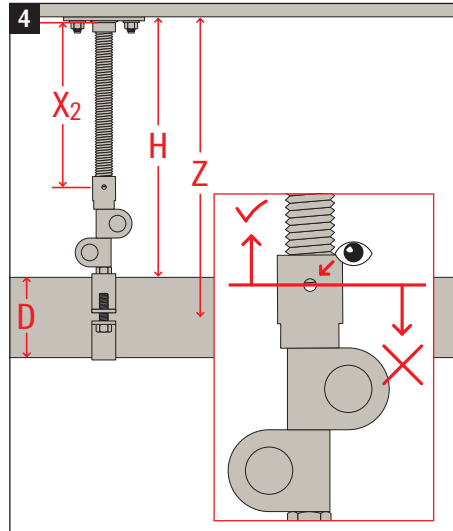
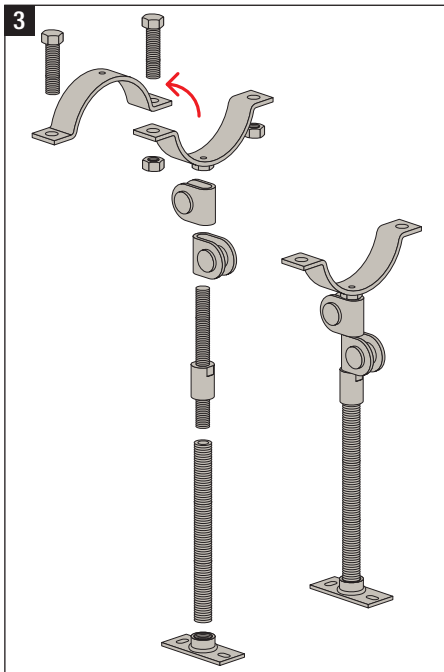
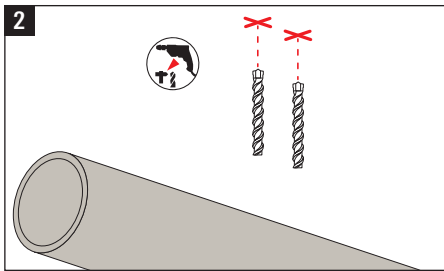
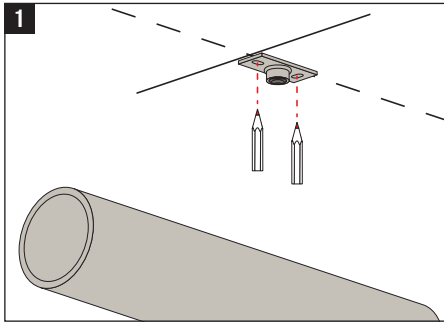
FFP-M:
 $X_1 = H - S - 113$

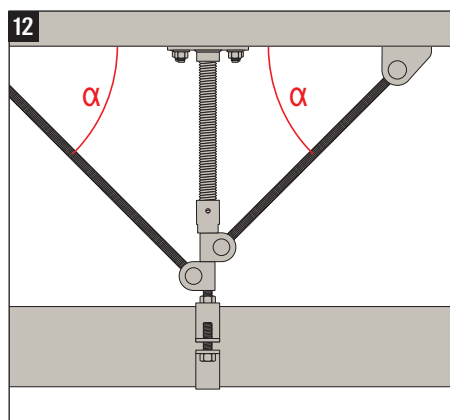
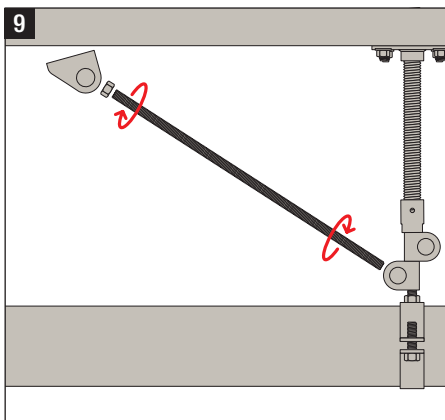
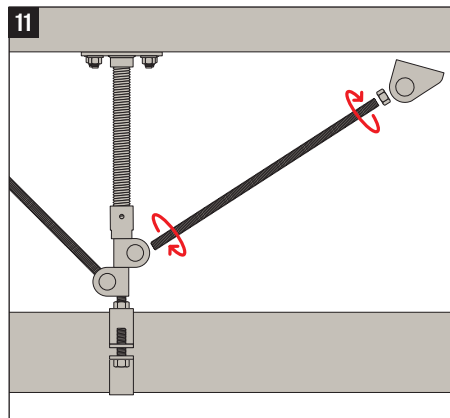
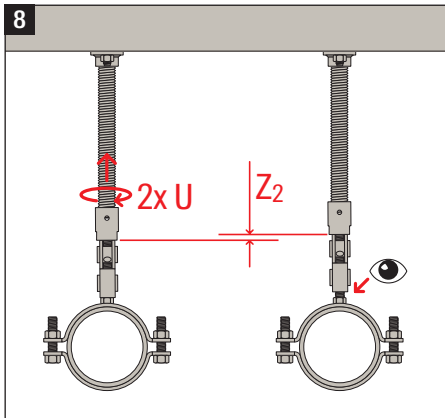
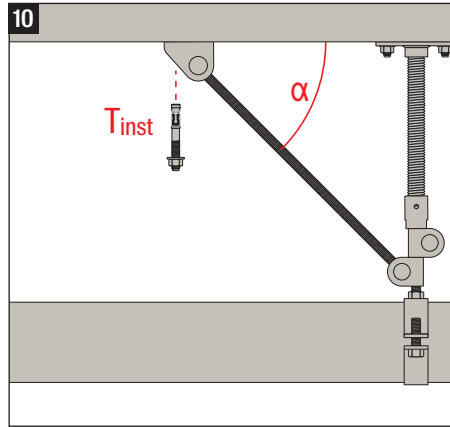
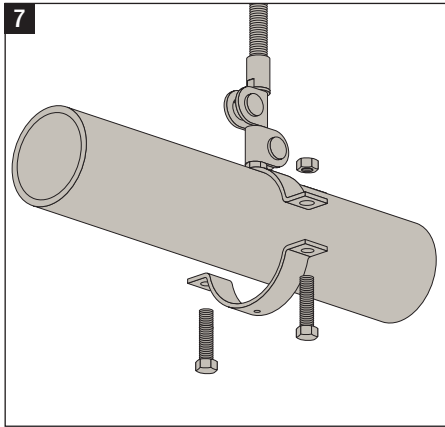
FFP-M2:
 $X_2 = H - S - 163$

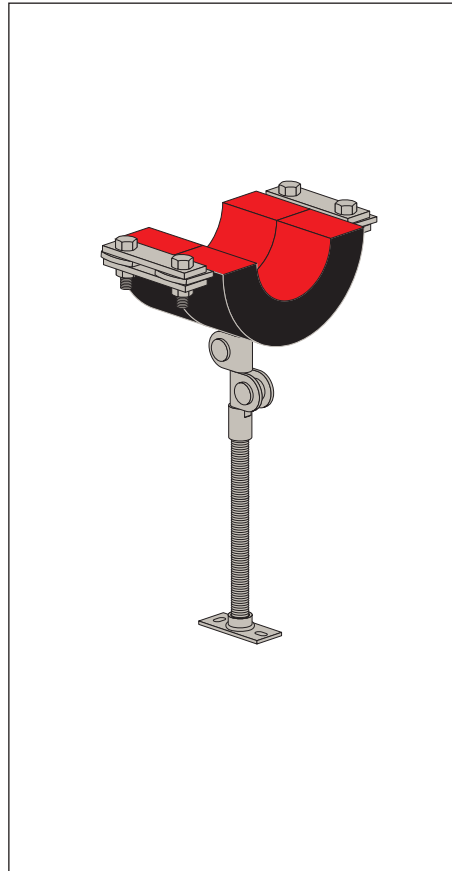
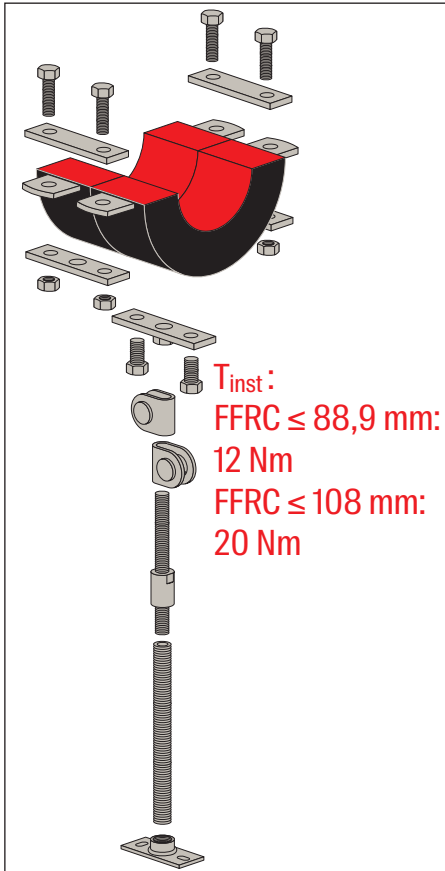
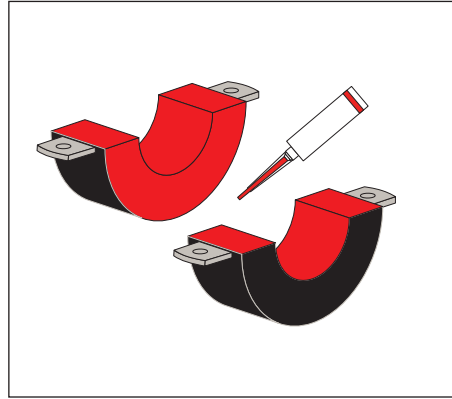
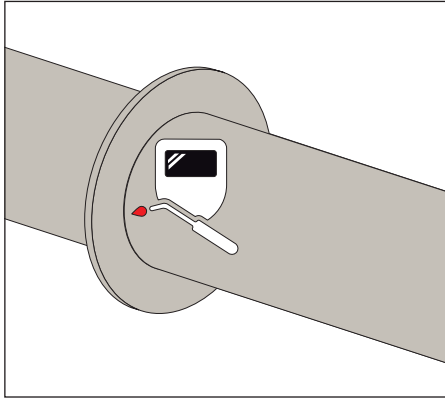
$$Y_1 = \frac{H - S - 85}{\sin \alpha} + 35$$

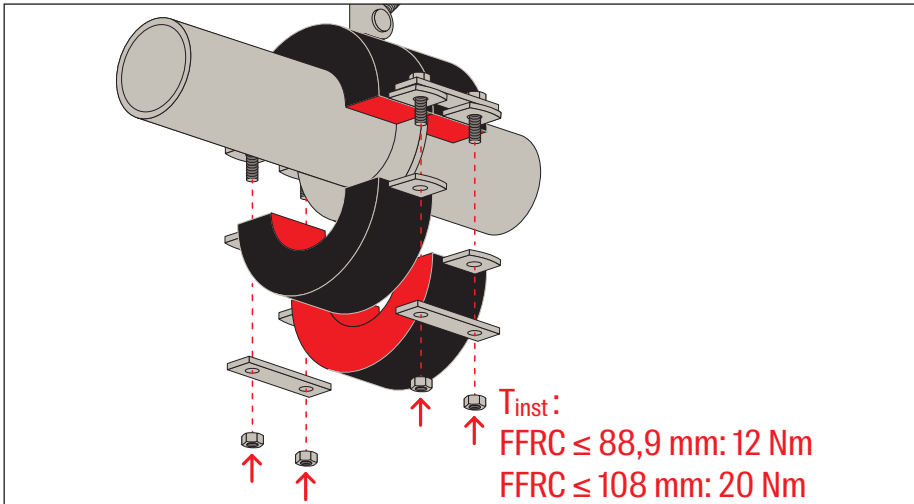
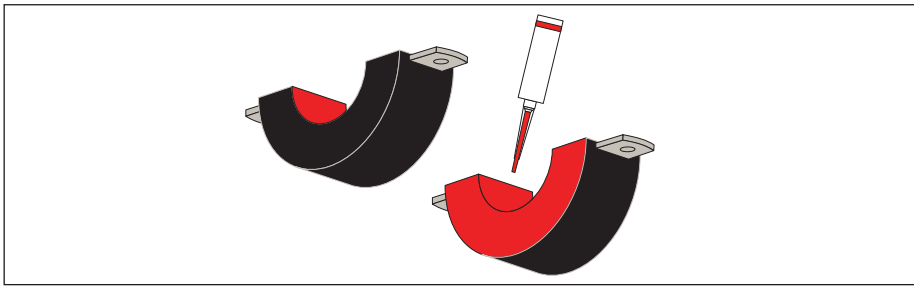
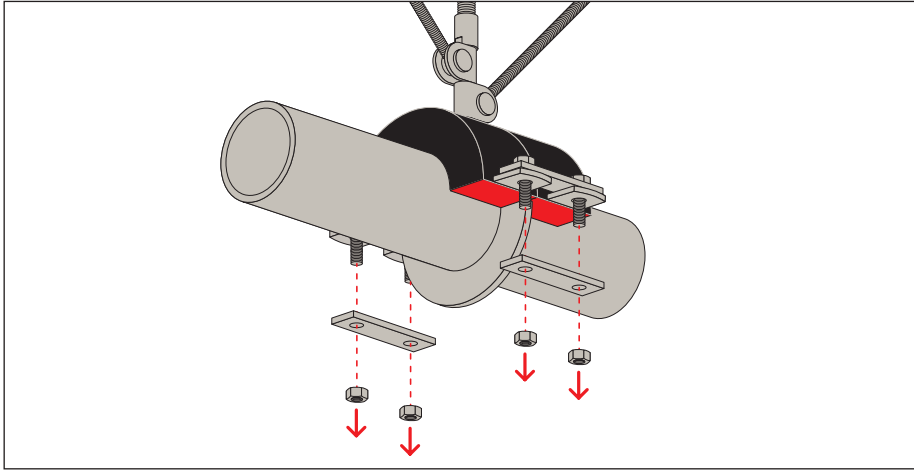
$$Y_2 = \frac{H - S - 135}{\sin \alpha} + 35$$

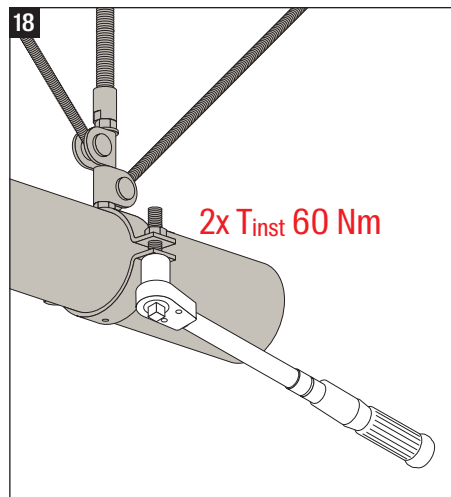
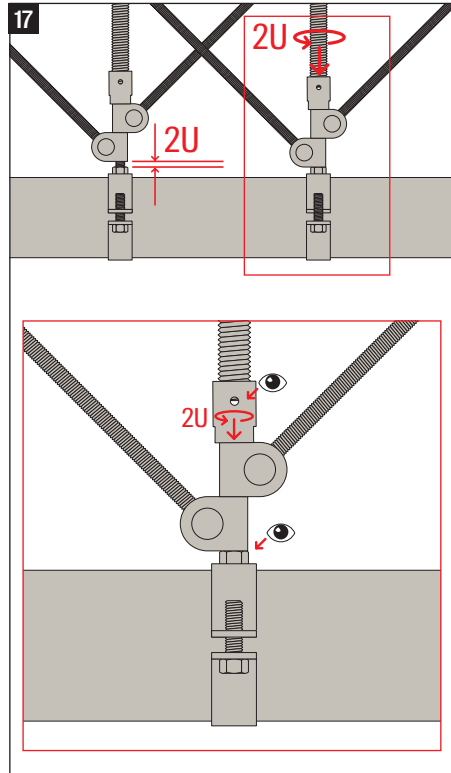
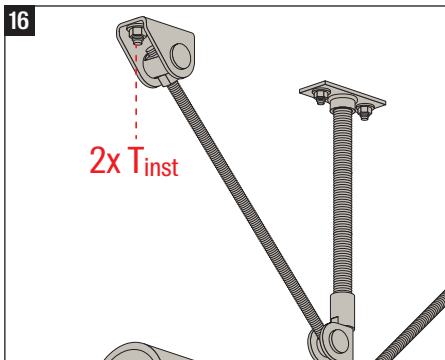
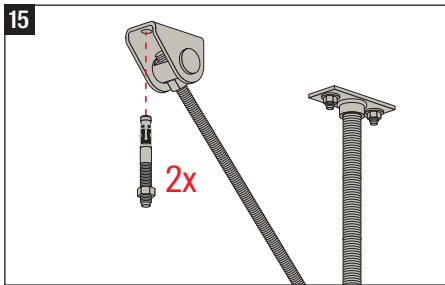
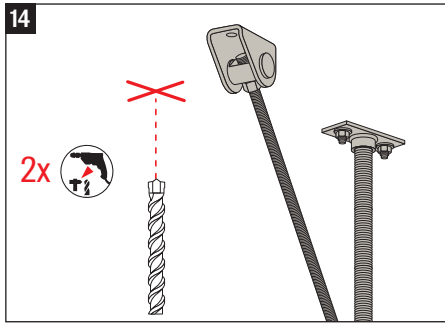
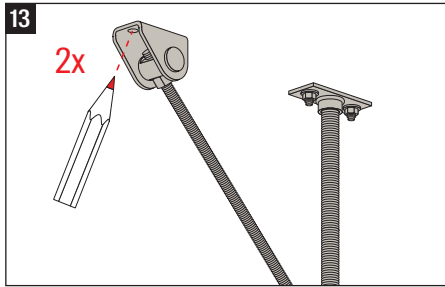






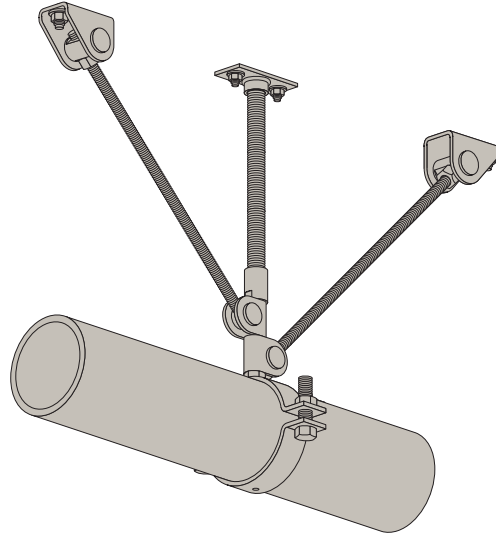






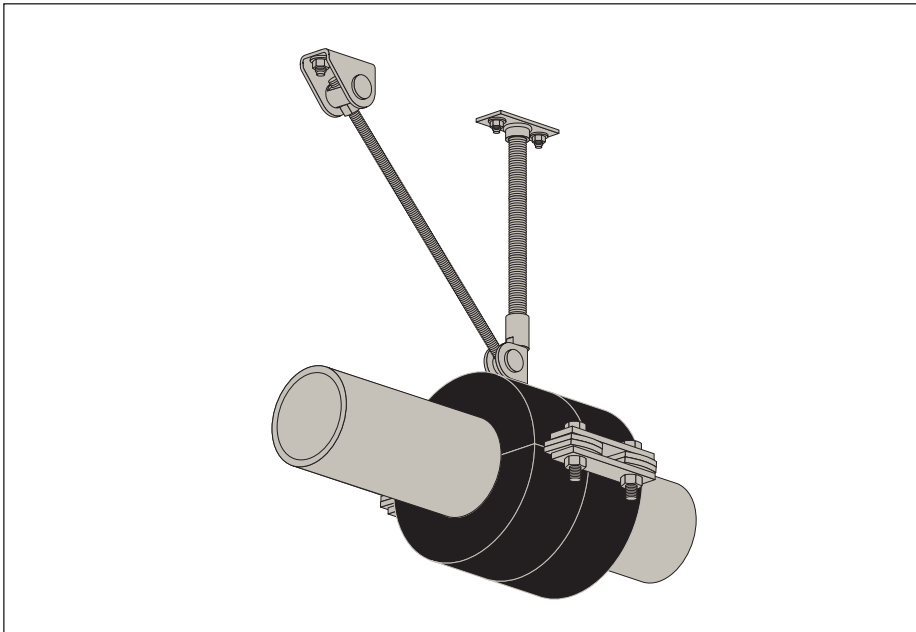
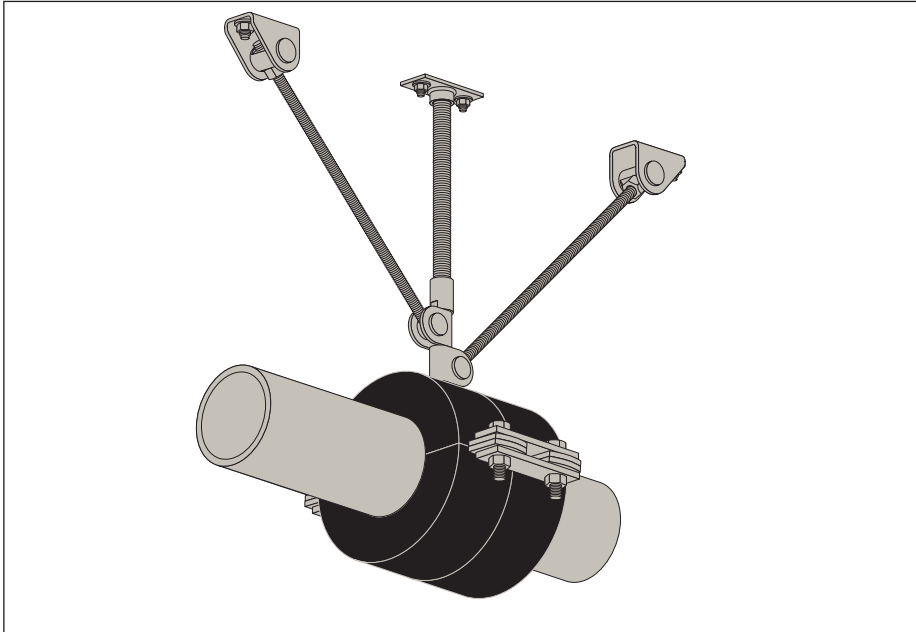


19



20







fischer stands for

Fixing Systems

Automotive

fischertechnik

Consulting

Electronic Solutions

fischerwerke GmbH & Co. KG

Klaus-Fischer-Straße 1
72178 Waldachtal
Germany

P +49 7443 12 - 0
F +49 7443 12 - 8297

info@fischer.de
www.fischer-international.com

00202619 (1) - 09/2023 (W/D) - Printed in Germany.
We cannot be responsible for any errors, and we reserve the right to make technical and range modifications without notice.