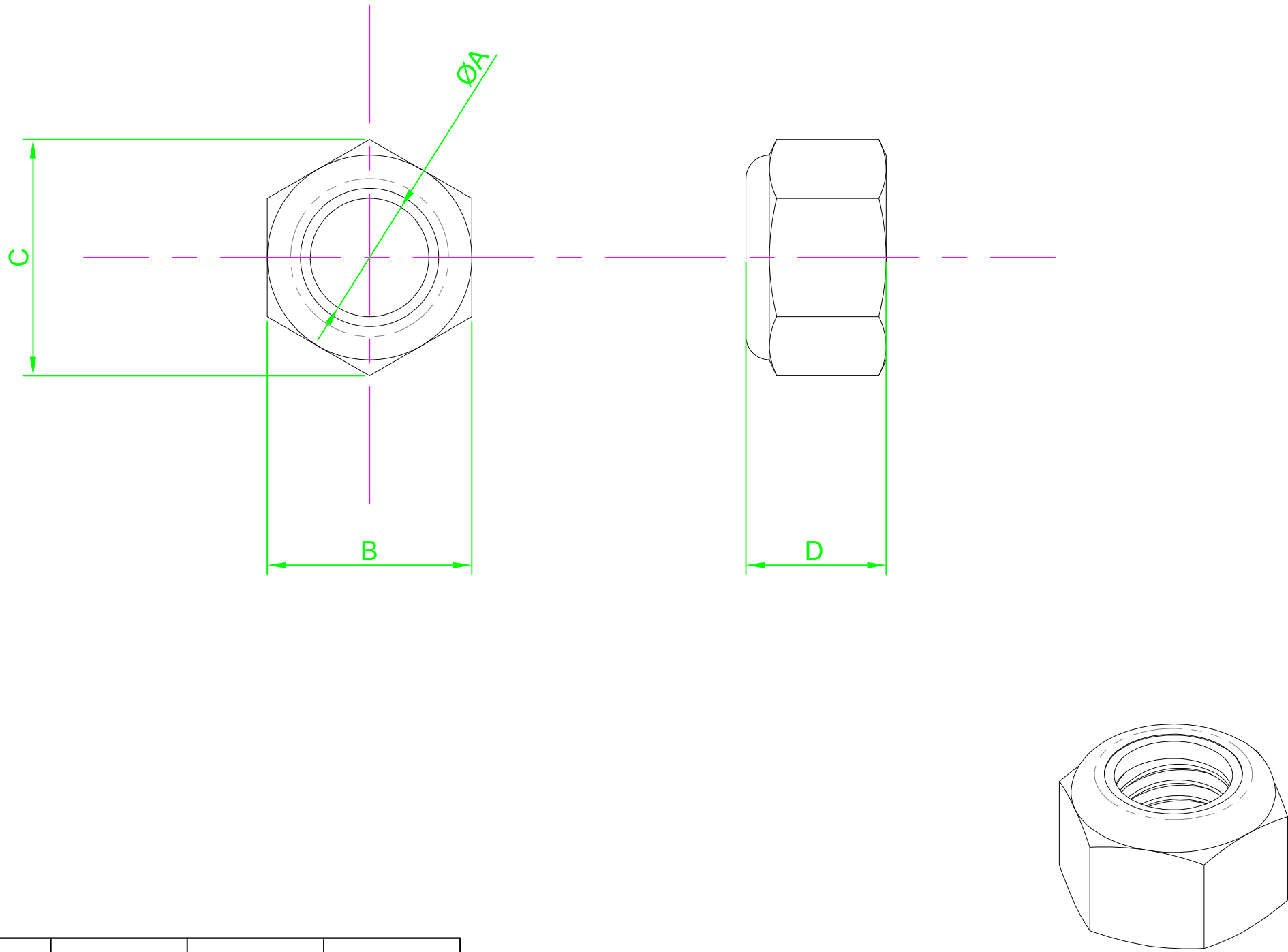


DO NOT SCALE DRAWING



REVISION

A INITIAL DRAWING 04.01.16

PART NUMBER	ØA	B	C	D
M8 - N5A2- S50	M8-1.25	13	14.38	8.0
M10 - N5A2- S50	M10-1.5	17	18.9	10.0

NOTES:



UNLESS OTHERWISE SPECIFIED:
DIMENSIONS ARE IN MM (MILLIMETERS).
SURFACE FINISH:
TOLERANCES: DIN 985

MATERIAL:
Stainless Steel A2

TITLE:
Prevailing Torque Type Hex Thin Nut with
Non-Metallic Insert DIN985

	NAME	DATE
DRAWN	Darryl Wilson	04.01.16
CHK'D		
APPVD		

HEAT TREATMENT:

DESIGN RIGHT. TR FASTENINGS LTD, 2003
UNDER NO CIRCUMSTANCES MUST THIS
DRAWING BE COPIED OR DISCLOSED
WITHOUT FIRST OBTAINING WRITTEN
AUTHORITY.

CUSTOMER PART NUMBER:
N/A

FINISH:

DRAWING NUMBER:
TR32N5A2-S50

A4

