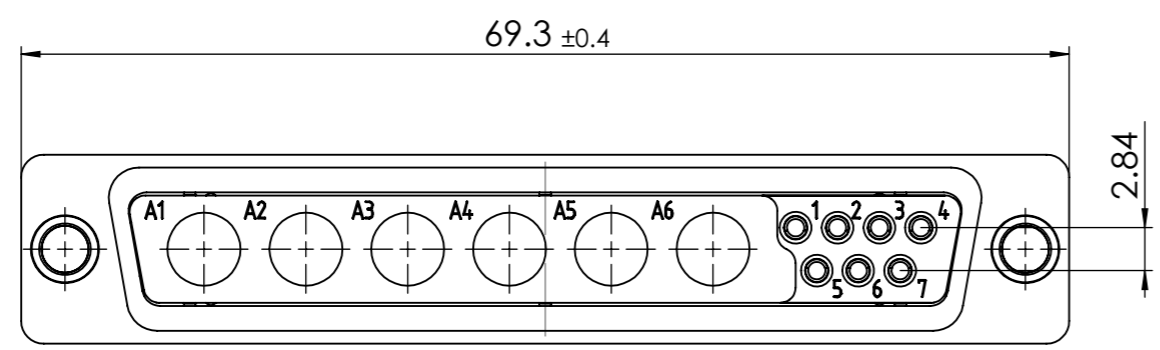
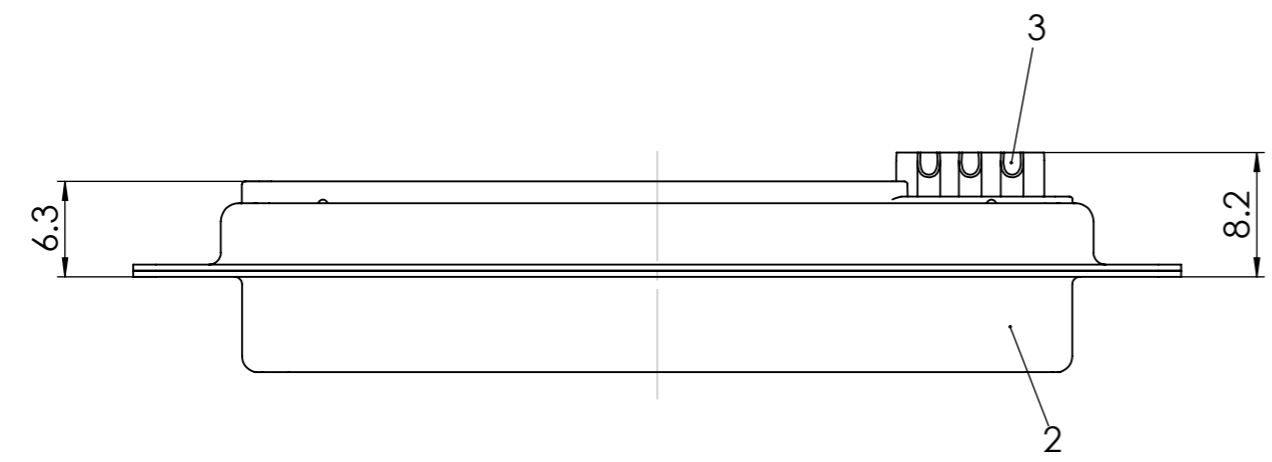
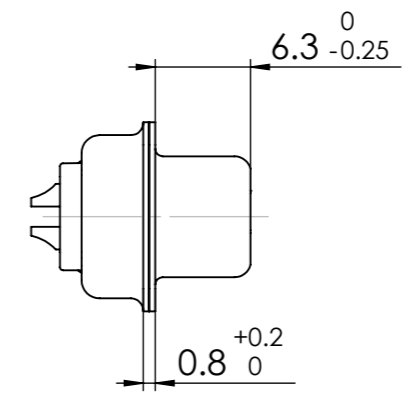
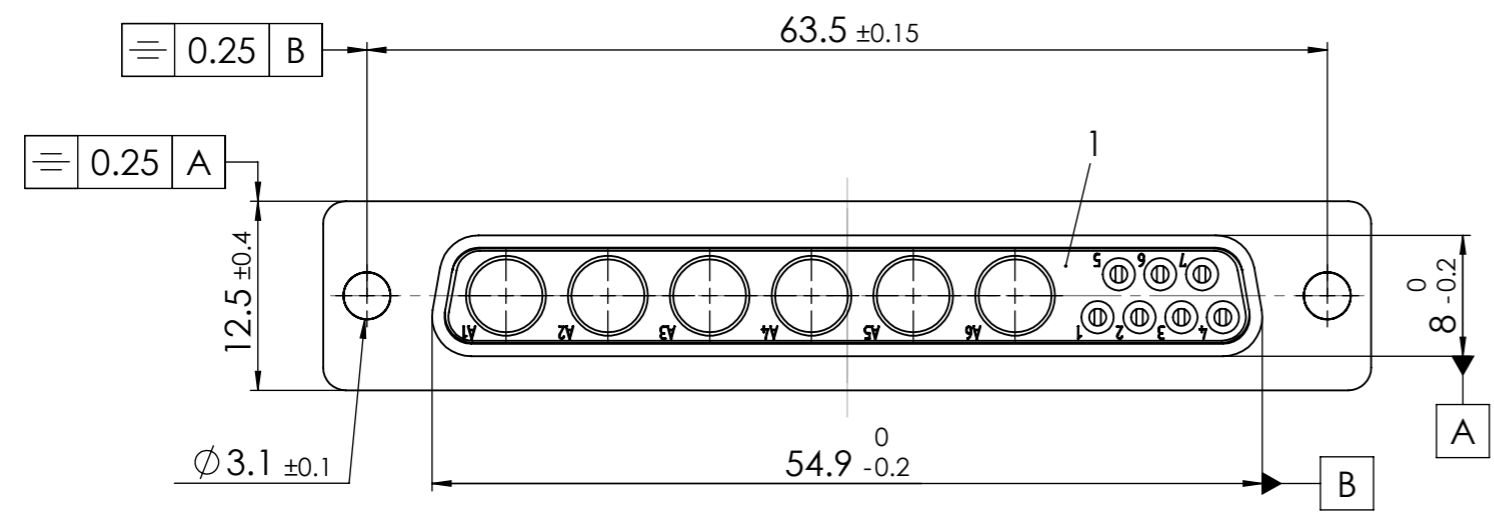



COMMENT: ALL RIGHTS ARE RESERVED BY US FOR THIS DRAWING. WITHOUT OUR PRIOR CONSENT, IT MAY NEITHER BE DUBLICATED NOR MADE AVAILABLE TO A THIRD PARTY. AND IT ALSO MAY NOT BE IMPROPERLY USED BY THE RECEIVER, OR A THIRD PARTY.



RoHS compliant

No.	St.	Part	Type Description/Material	Surface plating/Colour/Class
3	7	Signal contact	S0 / Brass	AuroPur / AWG20
2	1	Shell	Steel	tin plated
1	1	Insulator	PBT (-55°C - +130°C)	green

REV.	DATE	CH.-NO.	ORIGINAL: DIN A3-DRAWING AS A FILE	REPLACEMENT FOR:	PAGES
1					1


 a molex company
 Measurement without tolerance occ. to ISO 2768-m
 SCALE 2:1
 NAME / DATE
 DRAWN sschref 09-04-2014
 CHECKED sschref 09-04-2014

TITLE
D-Sub Mixed-Layout Connector
 DWG.NO. FM13W6SA-K121
 REV. 1