



#### Key Features

- Very small footprint
- 27.6 x 21 x 12.9mm
- GPS (1575.42MHz) - GLONASS version available
- 3.0 to 5.0v operation
- 11mA max current consumption

#### General Description

The Mike 13 GPS antenna is one of the smallest active GPS / GLONASS antennas available in a magnetic mount style.

The Mike 13 can also be used as an adhesive mount antenna using a double sided adhesive pad.

The Mike 13 has a typical LNA gain of 26dB (without cable). It can operate in a temperature range of -40°C to + 85°C and is completely waterproof.

#### Additional Considerations

- Smallest GPS antenna
- Easily mounted by adhesive

### Electrical Specifications

Impedance:	50 ohm
VSWR:	1.5:1
Peak Gain:	>1dBic (based on 7 x 7cm ground plane)
Center Frequency:	1575.42MHz ±3MHz
Bandwidth:	+ 5 MHz
Polarization:	RHCP

### LNA/Filter

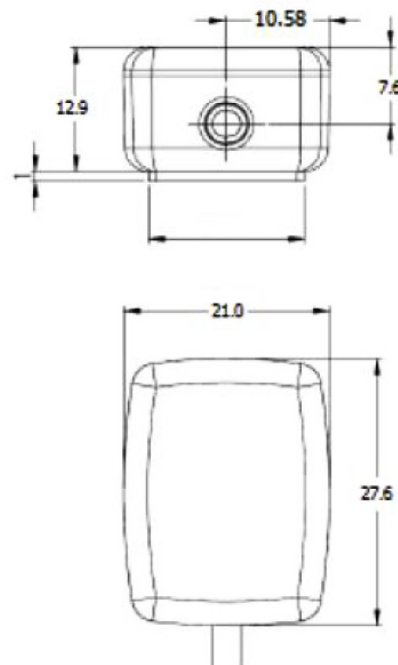
LNA Gain (without cable)	26dB Typical
Noise Figure:	1.5dB
Filter Out Band Attenuation:	f0 = 1575.42MHz 7dB Min f0±20MHz 20dB Min f0±50MHz 30dB Min f0±100MHz
VSWR:	<2.0
DC Voltage:	3.0V to 5.0V
DC Current:	11mA Max

### Mechanical Specifications

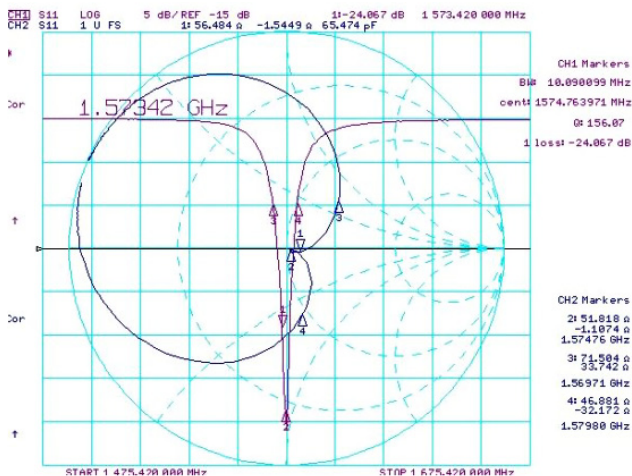
Dimensions:	27.6 x 21 x 12.9mm
Cable:	RG174

### Environmental Specifications

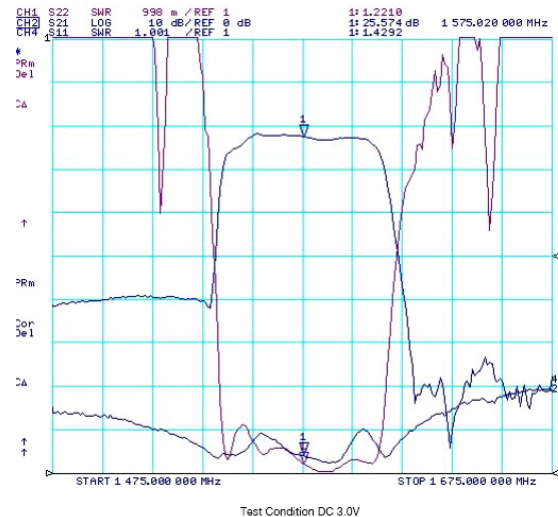
Working Temperature:	-40°C - +85°C
Storage Temperature:	-45°C - +100°C
Humidity:	95% - 100% RH



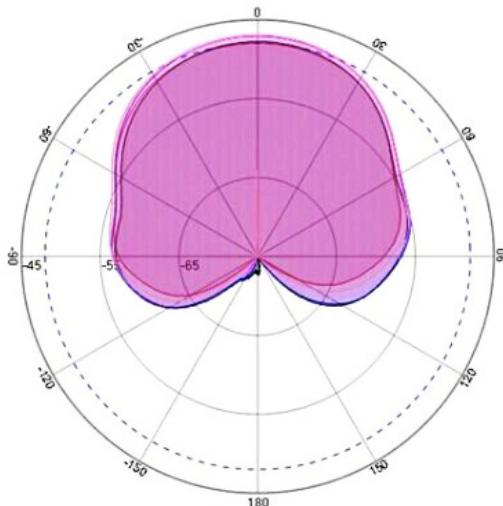
#### Impedance



#### Return Loss / VSWR



#### Radiation Plot



#### Ordering Details

Part Number	Description
MIKE13/2.5M/SMAM/S/S/17	Miniature magnetic mount active GPS antenna