

5

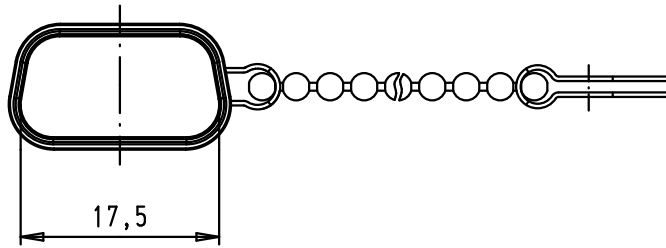
4

3

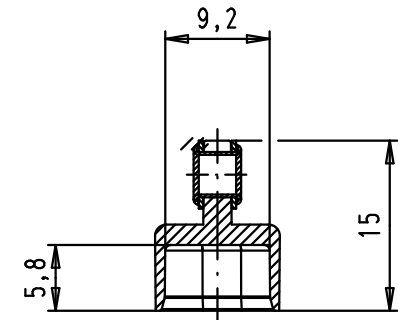
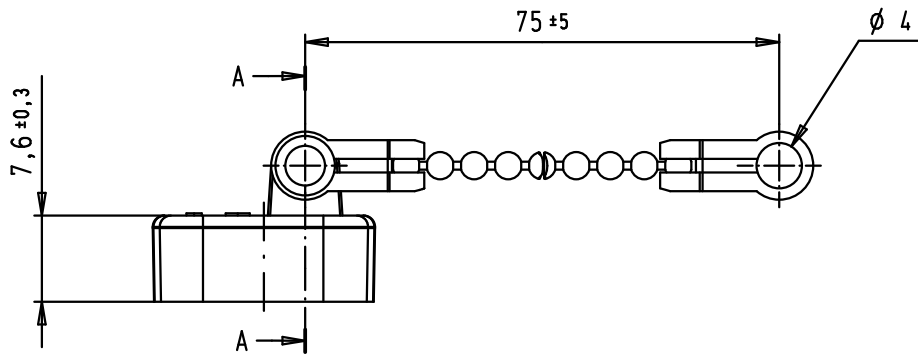
2

1

D

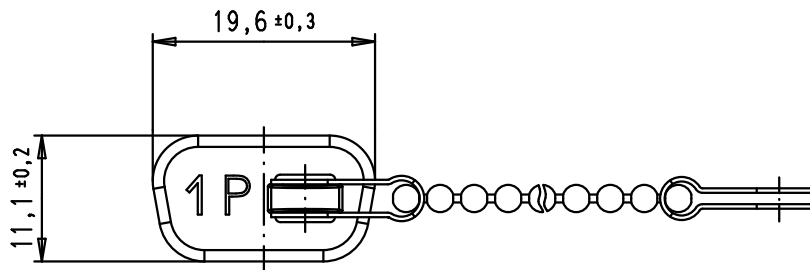


C





Section A-A

B



A

| | | | | | | | | |
|--|-------|----------|---------|-------------------------------|------|---|--|----------------------------|
| | | | | Det. | Name |  All Dim. in mm Orig. Size DIN A 4 | Nickel plated plastic dust cap with chain, male, 9 poles | Maßstab/ Scale 1,5:1 |
| | | | Detail. | 07/03/08 | PK | | | |
| | | | Insp. | | | | | |
| | | | Stand. | | | | | |
| | 34892 | 13/03/08 | PK | HARTING EURL F-95972 Paris | |  | TB 09 67 009 0615 | Blatt/ Page 1 / 1 |
| | Mod. | Det. | Name | | | | | |