

53420-1 ✓ ACTIVE



PIDG

TE Internal #: 53420-1

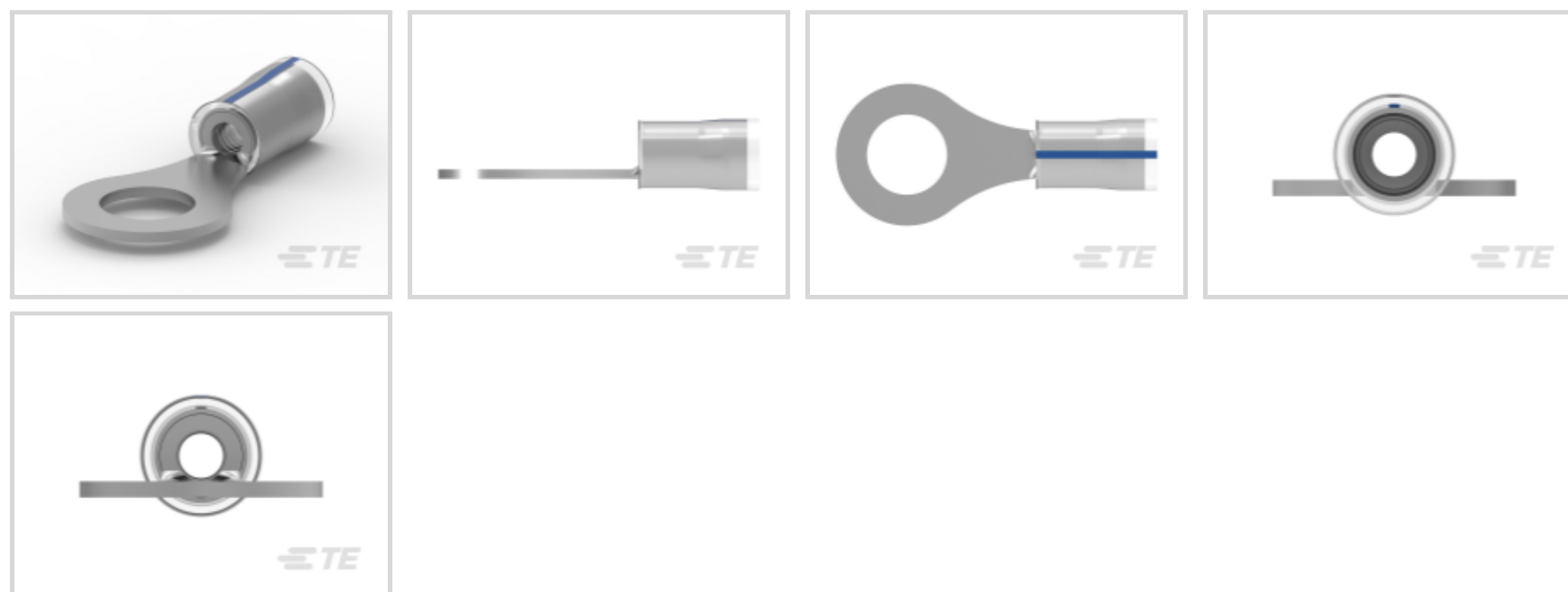
PIDG, Ring Terminals & Spade Terminals, Ring Tongue, 16AWG

Wire Size, 1.25 – 2mm² Wire Size, 2050 – 5180CMA Wire Size, 5/16 /

M8

[View on TE.com >](#)

Terminals & Splices > Ring Terminals & Spade Terminals > PIDG RADIATION REST/150 C RINGS/SPADES



Terminal & Splice Type: **Ring Tongue**

Wire Size: **2050 – 5180 CMA**

Ring & Spade Stud Size: **5/16, M8**

[All PIDG RADIATION REST/150 C RINGS/SPADES \(41\)](#)

Features

Product Type Features

Ring & Spade Stud Size	5/16, M8
Ring & Spade Barrel Type	Closed Barrel
Sealable	No
Insulated	Yes
Ring & Spade Wire/Cable Type	Regular Wire
Support Style	Insulation Support

Configuration Features

Number of Holes	1
Terminal Angle	Straight

Body Features

Insulation Sleeve Color	Natural
Stripe Color	Blue
Ring & Spade Plating Material	Tin-Lead

Contact Features



Terminal & Splice Type	Ring Tongue
Ring & Spade Terminal Orientation	Straight

Mechanical Attachment

Wire Insulation Support	With
-------------------------	------

Dimensions

Wire Size	2050 – 5180 CMA
Stud Diameter	8.33 mm[.328 in]
Tongue Thickness	.84 mm[.033 in]
Ring & Spade Overall Length	27.38 mm[1.078 in]
Ring & Spade Wire Insulation Diameter (Max)	3.81 mm[.15 in]
Ring & Spade Wire Insulation Diameter	2.67 – 3.81 mm[.105 – .15 in]

Usage Conditions

Insulation Requirement	Partially Insulated
Operating Temperature Range	150 °C[302 °F]

Operation/Application

Heavy Duty	No
------------	----

Industry Standards

Government Qualified	Yes
----------------------	-----

Packaging Features

Packaging Quantity	1000
Ring & Spade Packaging Method	Loose Piece

Product Compliance

[For compliance documentation, visit the product page on TE.com>](#)

EU RoHS Directive 2011/65/EU	Not Compliant
EU ELV Directive 2000/53/EC	Not Compliant
China RoHS 2 Directive MIIT Order No 32, 2016	Restricted Materials Above Threshold
EU REACH Regulation (EC) No. 1907/2006	Current ECHA Candidate List: JAN 2021 (211) Candidate List Declared Against: JUN 2016 (169) SVHC > Threshold: Not Yet Reviewed
Halogen Content	Not Yet Reviewed for halogen content

Solder Process Capability

Not applicable for solder process capability

Product Compliance Disclaimer

This information is provided based on reasonable inquiry of our suppliers and represents our current actual knowledge based on the information they provided. This information is subject to change. The part numbers that TE has identified as EU RoHS compliant have a maximum concentration of 0.1% by weight in homogenous materials for lead, hexavalent chromium, mercury, PBB, PBDE, DBP, BBP, DEHP, DIBP, and 0.01% for cadmium, or qualify for an exemption to these limits as defined in the Annexes of Directive 2011/65/EU (RoHS2). Finished electrical and electronic equipment products will be CE marked as required by Directive 2011/65/EU. Components may not be CE marked. Additionally, the part numbers that TE has identified as EU ELV compliant have a maximum concentration of 0.1% by weight in homogenous materials for lead, hexavalent chromium, and mercury, and 0.01% for cadmium, or qualify for an exemption to these limits as defined in the Annexes of Directive 2000/53/EC (ELV). Regarding the REACH Regulations, TE's information on SVHC in articles for this part number is still based on the European Chemical Agency (ECHA) 'Guidance on requirements for substances in articles' (Version: 2, April 2011), applying the 0.1% weight on weight concentration threshold at the finished product level. TE is aware of the European Court of Justice ruling of September 10th, 2015 also known as O5A (Once An Article Always An Article) stating that, in case of 'complex object', the threshold for a SVHC must be applied to both the product as a whole and simultaneously to each of the articles forming part of its composition. TE has evaluated this ruling based on the new ECHA "Guidance on requirements for substances in articles" (June 2017, version 4.0) and will be updating its statements accordingly.

Compatible Parts



TE Part # 58433-3
PRO CR ASSY, RBY IS9252



TE Part # 59250
T-HEAD PIDG 26-14 ASSY



TE Part # 47387
DAHT PG PIDG 20-14 ASSY



TE Part # 58423-1
DIE, RBY IS9252



TE Part # 59824-1
TETRA-CRIMP PIDG PG FASTON 22-10 ASSY



TE Part # 525691
DAHT PG PIDG 16-14 ASSY



TE Part # 539691-2
ERGO DIE R.B.Y



TE Part # 47387-7
DAHT PG PIDG 16-12 ASSY



TE Part # 132246-3
TERMINAL RING TONGUE PIDG 22 18



TE Part # 2063030-1
SDE DIESET, RBY, UL



TE Part # 47807-1
DIES PIDG 16-14 DIE SET



TE Part # 169404
CERTI-LOK DIE

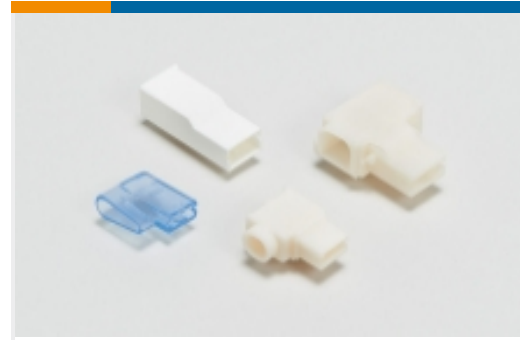


TE Part # 169400
CERTI-LOK

Also in the Series | PIDG



Compression Connectors(17)



Crimp Terminal Housings(1)



Crimp Wire Pins, Tabs & Ferrules(41)



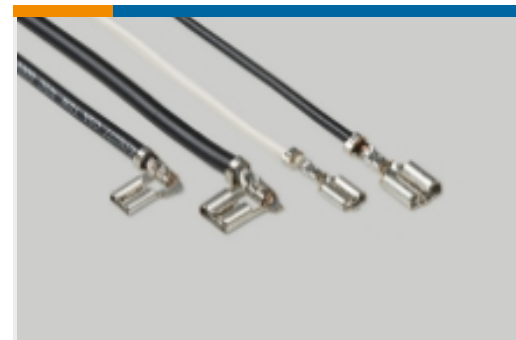
Knife Disconnects(11)



PCB Terminals(9)



Portable Crimp Tools(2)



Quick Disconnects(53)



Ring Terminals & Spade Terminals(862)



Special Purpose Terminals(1)

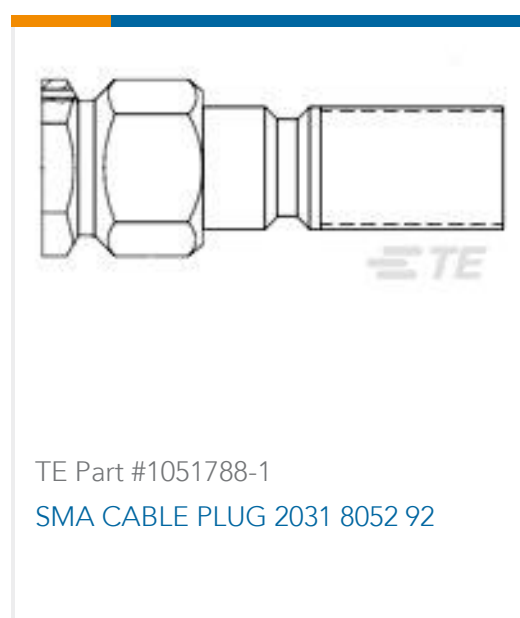


Splices(48)

Customers Also Bought



TE Part #323914
PIDG RING TONGUE TERMINALS



TE Part #1051788-1
SMA CABLE PLUG 2031 8052 92



TE Part #205555-3
AMPLIMITE,ASY,RCPT,STD,109,1,K



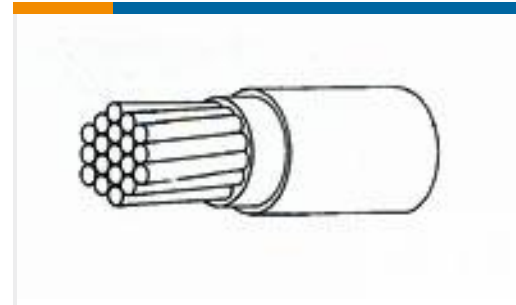
TE Part #2560-215-1631L
CONT PIN



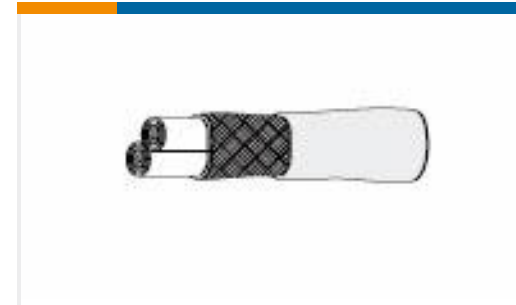
TE Part #1052178-1
SMA RIGHT ANGLE CABLE PLUG
2037 8052 92



TE Part #YDTS26F21-41SAV001
D38999: Straight Plug, 21-41 Insert



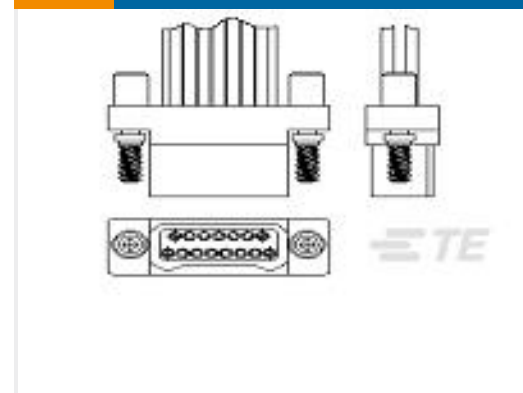
TE Part #189651-000
22759/43-16-5



TE Part #319351-000
55A1142-22-MST4-9CS2275



TE Part #118239-000
55A4832-20-MST3-9CS2275



TE Part #1589473-7
STM009PC2DC024N = WDUALOBE

Documents

Product Drawings

[TERMINAL,PIDG PVF2 R 16-14](#)

English

Datasheets & Catalog Pages

[RADIATION_RESISTANT_PRE-INSULATED_TERMINALS_SPLICES](#)

English

Product Specifications

[Application Specification](#)

English