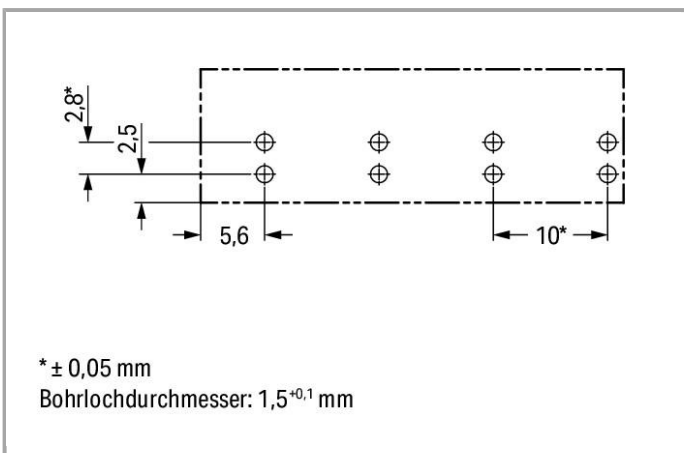
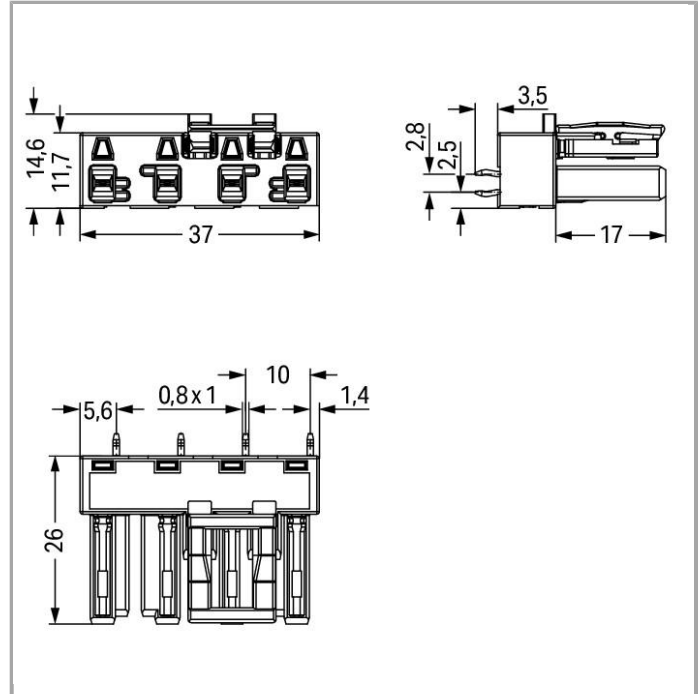


Data sheet | Item number: 770-804  
Socket for PCBs; straight; 4-pole; Cod. A

[www.wago.com/770-804](http://www.wago.com/770-804)



Item description

**Note:**

All connectors for mounted installations (snap-in versions for lighting fixtures or devices, all types of PCB and distribution connectors) are factory-equipped with locking levers to ensure plugs and sockets are securely locked. Additional locking levers are only required for flying leads (plug /socket).

**Data****Electrical data****Ratings per IEC/EN 60664-1**

Rated voltage (III / 3)	400 V
Rated impulse voltage (III / 3)	6 kV
Rated current	25 A
Legend (ratings)	(III / 3) ≙ Overvoltage category III / Pollution degree 3

**Connection data**

No. of poles	4
Total number of potentials	4
Number of levels	1

**Geometrical Data**

Pin spacing	10 mm (0.394 inch)
Width	37 mm / 1.457 inch
Height	29.5 mm / 1.161 inch
Height from the surface	26 mm / 1.024 inch
Depth	14.6 mm / 0.575 inch
Solder pin length	3.5 mm
Solder pin dimensions	1 x 0.8 mm
Drilled hole diameter (tolerance)	1.5 <sup>(+0.1 ... -0.1)</sup> mm

**Mechanical data**

Coding	A
Mating force of a plug-in connection	approx. 20 ... 70 N (depending on pole number)
Retention force of a plug-in connection	when locked: > 80N
Unmating force of a plug-in connection	when unlocked: approx. 20 ... 70 N (depending on pole number)
Design	straight
Marking	N 2 L 1 L'
Degree of protection	IP20
Potential marking	N 2/L 1/L'

## Plug connection

Contact type (pluggable connector)	Female connector/socket
Connector connection type	for PCBs
Mismating protection	Yes
Mating direction to the PCB	90°
Locking of plug-in connection	locking lever
Locking lever	yes

## PCB contact

PCB contact	THT
Solder pin arrangement	2 in-line solder pins/pole
Number of solder pins per potential	2

## Material Data

Color	black
Insulating material	Polyamide 66 (PA 66)
Flammability class per UL94	V0
Contact material	Copper or copper alloy, surface-treated
Fire load	0.158 MJ
Weight	8.473 g

## Environmental Requirements


Surrounding air (operating) temperature	-35 ... 85 °C
---	---------------

## Commercial data




Country of origin	DE
GTIN	4044918684651
Customs Tariff No.	85366990990

## Approvals / Certificates

### Country specific Approvals

Logo	Approval	Certificate name
	CCA DEKRA Certification B.V.	2173495.02
	CCA DEKRA Certification B.V.	NL-32105

### Ship Approvals

Logo	Approval	Certificate name
	<b>ABS</b> American Bureau of Shipping	14-HG1241528-PDA
	<b>DNV GL</b> Det Norske Veritas, Germanischer Lloyd	TAE00001Z6
	<b>LR</b> Lloyds Register	02/20050 (E6)

**UL-Approvals**

Logo	Approval	Certificate name
	<b>cURus</b> Underwriters Laboratories Inc.	E45171 Sec. 9

**Compatible products protection**

<b>Item no.: 770-201</b> Lockout cap; for socket; 12-pole; separable	<a href="http://www.wago.com/770-201">www.wago.com/770-201</a>
<b>Item no.: 770-221</b> Lockout cap; for socket; 12-pole; separable	<a href="http://www.wago.com/770-221">www.wago.com/770-221</a>

**Downloads smartDATA**

**CAD data**

3D Download 770-804	URL	Download

Subject to changes.