

SH ZS 16 M8 V2A (275 116)

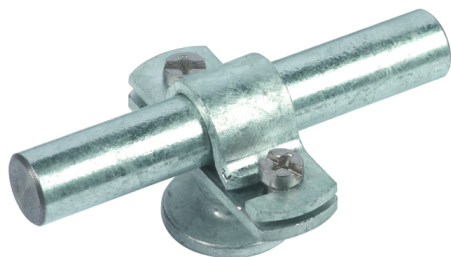
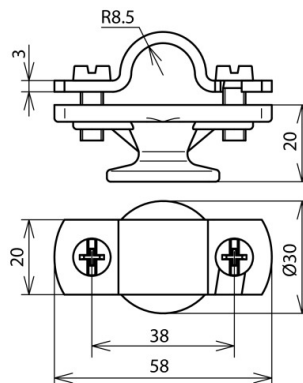


Figure without obligation



Type	SH ZS 16 M8 V2A
Part No.	275 116
Conductor holder support Rd	16 mm
Conductor leading	fixed
Thread of conductor holder	M8
Height of conductor holder	20 mm
Material of cleat	St/tZn
Material of base part	ZDC
Weight	96 g
Customs tariff number (Comb. Nomenclature EU)	85389099
GTIN	4013364095823
PU	50 pc(s)

We reserve the right to introduce changes in performance, configuration and technology, dimensions, weights and materials in the course of technical progress. The figures are shown without obligation.