

CLIFF

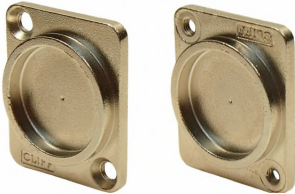
XRP CUSTOMIZABLE RECESSED SOCKET PLATES

This range of recess plates allow users to produce custom solutions by mounting items in a standard XLR Ø24mm cutout. They are available in 2 depth of recess, 3mm and 12mm. Plastic version has countersunk or plain hole. Metal versions are nickel plated or black. Mounting hole is countersunk or M3 type. They also have a drill / punch guide. Plates can be front or rear mounted in panels.

XRP3 - 3mm RECESS PLATE



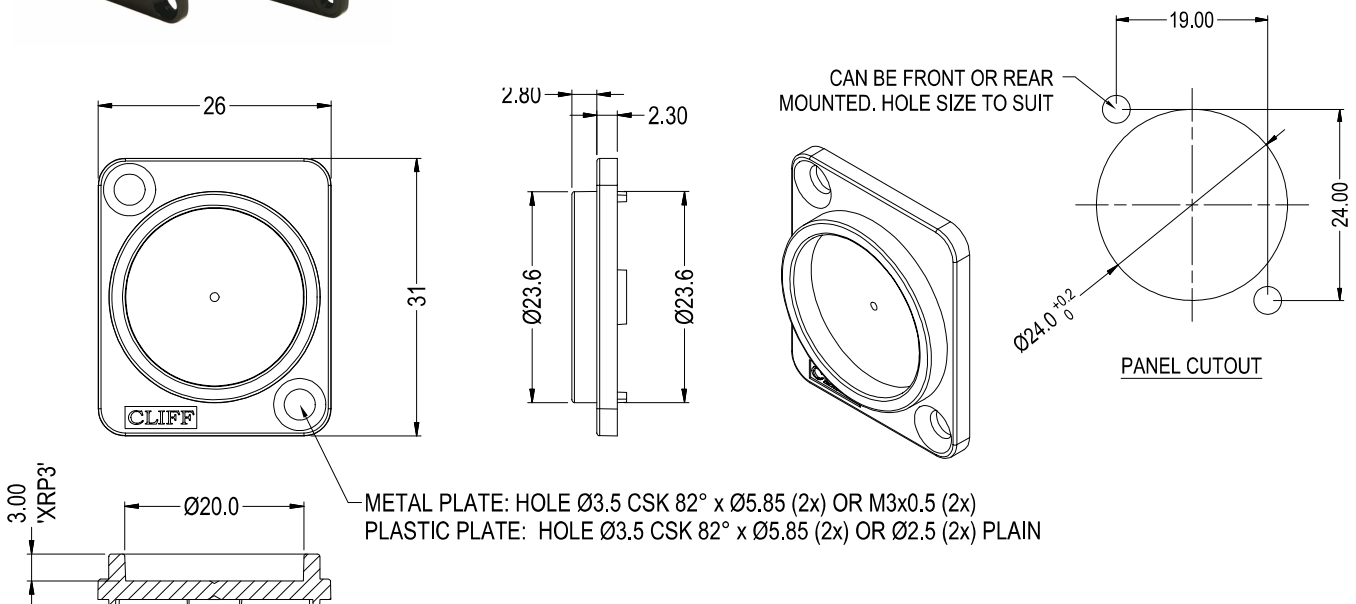
CP30300 XRP3 PLASTIC PLATE CSK HOLE
CP30300X XRP3 PLASTIC PLATE PLAIN HOLE



CP30300M XRP3 METAL PLATE CSK HOLE
CP30300M3 XRP3 METAL PLATE M3 HOLE



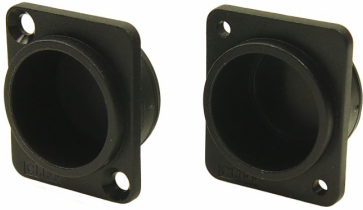
CP30300MB XRP3 BLACK METAL PLATE CSK HOLE
CP30300MB3 XRP3 BLACK METAL PLATE M3 HOLE



CLIFF

XRP CUSTOMIZABLE RECESSED SOCKET PLATES

XRP12 - 12mm RECESS PLATE



CP30400
CP30400X

XRP12 PLASTIC PLATE CSK HOLE
XPR12 PLASTIC PLATE PLAIN HOLE



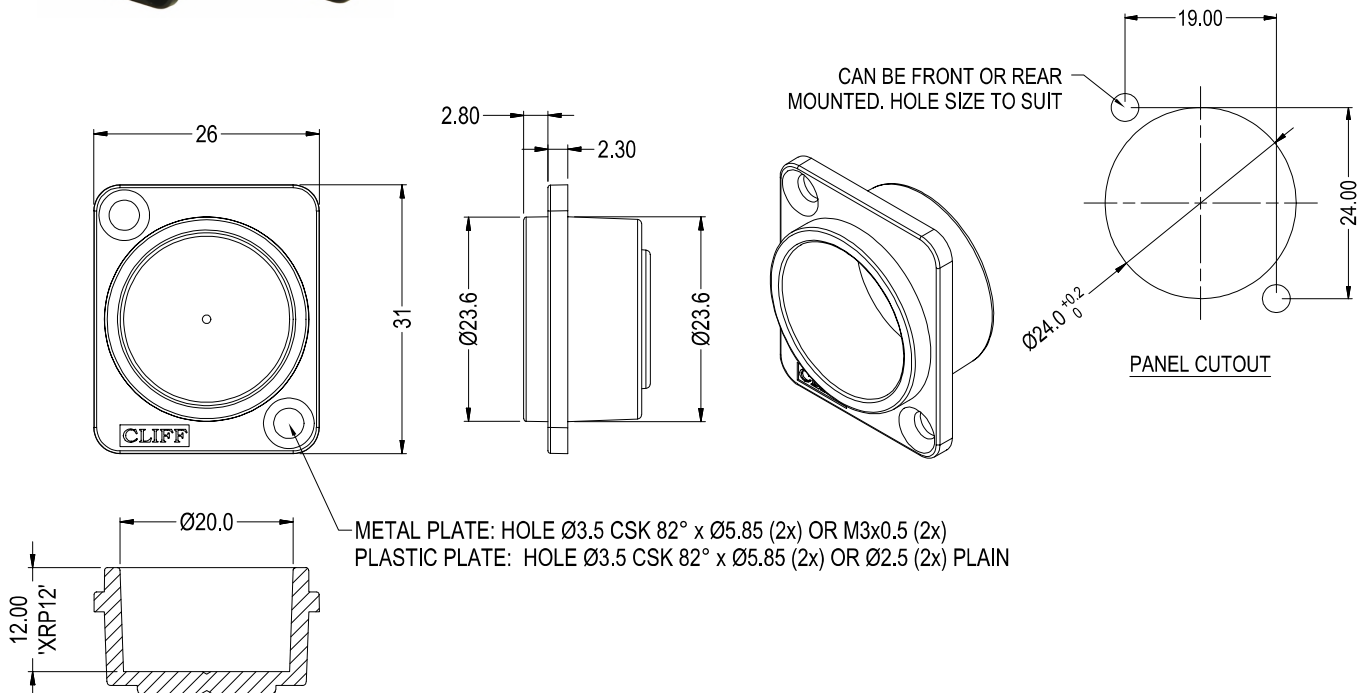
CP30400M
CP30400M3

XRP12 METAL PLATE CSK HOLE
XPR12 METAL PLATE M3 HOLE



CP30400MB
CP30400MB3

XRP12 BLACK METAL PLATE CSK HOLE
XPR12 BLACK METAL PLATE M3 HOLE

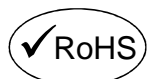


For further information, contact sales@cliffuk.co.uk

Cliff Electronic Components Limited,
76 Holmethorpe Avenue, Holmethorpe Ind. Estate,
Redhill, Surrey RH1 2PF U.K.
Tel: +44 (0)1737 771375 Fax: +44 (0)1737 766012



Visit us online at:



www.cliffuk.co.uk