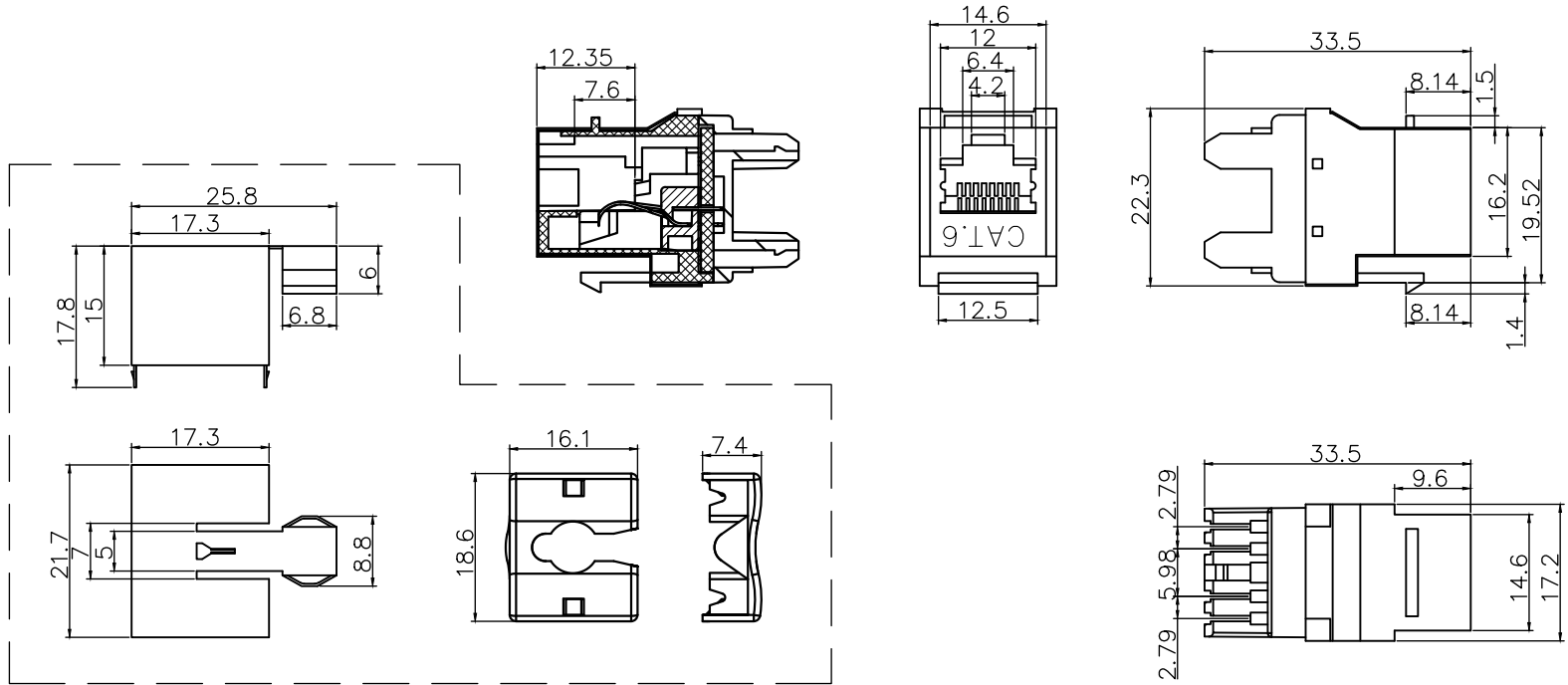


ROHS

THIS IS A RoHS  
COMPLIANT  
COMPONENT/  
PRODUCT.



**NOTES:**

**ELECTRICAL:**

1. VOLTAGE RATING : 125 VAC
2. CURRENT RATING : 1.5 AMP.
3. CONTACT RESISTANCE : 100 MILLIOHMS MAX.
4. INSULATION RESISTANCE : 1000 MEGOHMS MIN. @ 500 VDC.
5. DIELECTRIC STRENGTH : 750 VAC 60Hz, 1MIN.

**MECHANICAL:**

1. HOUSING MATERIAL : PC UL94V-0
2. INSERT MATERIAL : GLASS FILLED POLYESTER UL94V-0 WHITE.
3. PCB MATERIAL : FR-4 THICKNESS 1.6 mm
4. CONTACT MATERIAL : PHOSPHOR BRONZE STAMP PIN t=0.35 mm
5. SHIELD MATERIAL : C2680 T=0.3 mm, TIN PLATING 120u"~150u"

**ENVIRONMENTAL:**

1. STORAGE: -40°C TO +85°C.
2. OPERATION: 0°C TO 70°C.

CONFORMING TO TIA/EIA 568B.2-1

MATES WITH MODULAR PLUG CONFORMING TO TIA-1096-A.

	0069000	NEW DESIGN	HENRY	050917'	
MARK	ECN-NO.	REVISION RECORD	DRAWN	DATE	
		UNLESS OTHERWISE SPECIFIED TOLERANCE		SCALE	CHECKED
		Dimension Range	Tolerance	1/1	APPROVED
		X.X	±0.20	UNIT	
		X.XX	±0.15	mm	
X.XXX	±0.10	SIZE	A3	SHEET	1/1
Material/Plated/Notes		NAME		ANGLE	
SEE NOTE		CAT.6 KESYtone JACK, FTP		±5°	
Tooling No.		PART NO. 326I-0017-05		REV. 0	
		DOC. NO.			