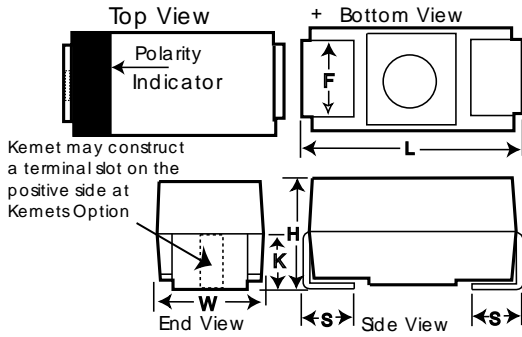


**KEMET Part Number: T491X227K010ZT**  
(B45196H2227K509)

Capacitor, tantalum, 220 uF, 7343, +/-10% Tol, 10V@85C



Dimensions (mm)		
Symbol	Dimension	Tolerance
L	7.3	+/-0.3
W	4.3	+/-0.3
H	4.1	+/-0.3
K	1.8	typ
F	2.4	+/-0.1
S	1.3	+/-0.3

**Notes:**

-In polarity stripe, at KEMET's option, type may be indicated: see catalog for explanation of symbols

-Old part number [Obsolete] was B45196H2227K509

General Information	
Manufacturer:	KEMET
Construction:	Standard Chip-MnO2

Specifications	
Capacitance:	220 uF
Voltage DC @ 85C:	10V
Voltage DC @ 105C:	8.2V
Voltage DC @ 125C:	6.3V
Tolerance:	+/-10%
Application:	General Purpose
Temperature Range:	-55/+125C
Body Type:	Molded Chip
Footprint:	7343
Termination:	Tin
RoHS:	Yes
Leakage Current:	22 uA
Dissipation Factor:	8%
Impedance @ 100kHz:	600 mOhm

Packaging Specifications	
Package Kind:	T&R
Package Size:	7in
Package Quantity:	400