

FELLER GMBH

A-2525 GUENSELSDORF, AUSTRIA - TEL.: .. 43(2256) 62 32 50 - FAX: .. 43 (2256) 62 32 57
e-mail: sales@feller-at.com <http://www.feller-at.com>

Description: VIIG-H05VVF3G1, 50-g25/2, 50m, black

(L29)

Rating of power supply cord: 16A/250Vac

1. PLUG: Type VIIG

Molded plug according to : IEC60884, CEE (7) VII
Rated current and voltage : 16A, 250 V AC
Plugbase : thermoplastic Polyester (PBTP) GFR
Construction : double insulated
Pins : brass, nickel-plated, crimped
Pins outer diameter : 4,8 mm
Outer mold : PVC compound, hardness Shore A75-77
Approvals : VDE, ÖVE, CEBEC, KEMA, S-INTERTEK, D, N, FI, NF, IMQ, GOST, KTL

2. CORD: Type H05VVF3G1, 50mm²

Flexible cord according to : ÖVE K41a; HD 21.5 S3:1994+A1:1999+A2:2001;
AS 3191; IEC 60227
Marked : *JF* <ÖVE> <HAR> H05VVF3G1, 5mm² *N1095* CE*CCC 60227
IEC53 (RVV) 300/500 3X1,5 *KTL SW01001-2001A
Number of cores : 3
Conductor construction : 29x0,25 mm O.D. 1,55mm
Conductor insulation : Extruded PVC, O.D. 2,90mm
Jacket : Extruded PVC, O.D. 8,20mm, +/-0,20mm
Temperature rating : -20°C up to +70°C
Resistance of conductors : 13,3 Ω/km
Dielectric strength : 2kVac, 1min.
Insulation resistance : >0,010MΩ/km
Color of conductors : yellow/green, brown, blue
Approvals : HARMONIZED, ÖVE, SAA, CCC, KTL

3. 2nd end preparation: g25

25mm jacket removed

Environmental conformity

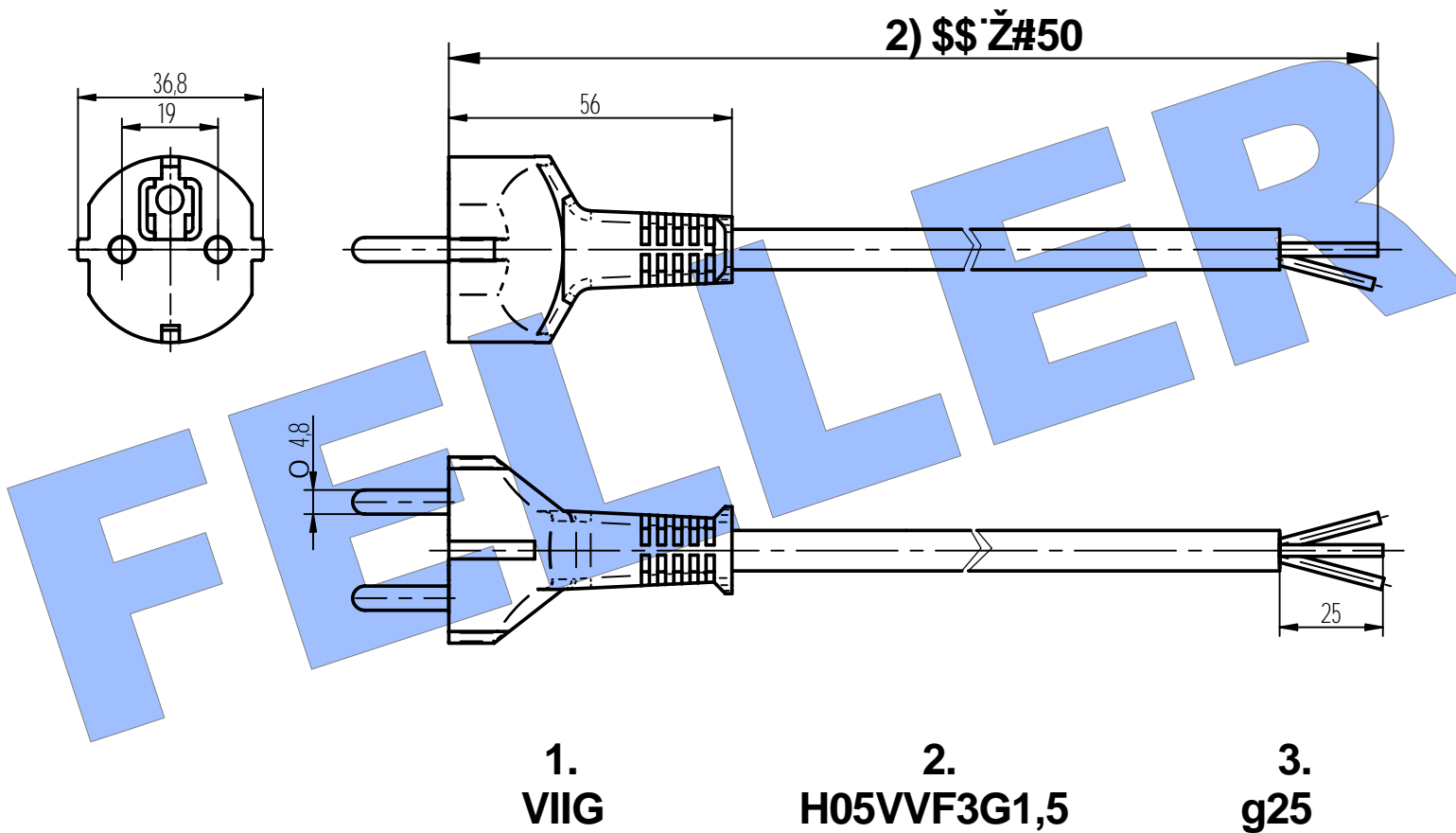
: EU-Directive 2002/96/EC (WEEE)
EU-Directive 2011/65/EU
EU-Directive 1907/2006 EG (REACH -compliant)

TESTING

Electrical testing : 100%
Visual inspection : 100%
High pot test wire to wire : 3kVac for 2 sec.
Continuity test : 25Aac to grounding / 20Aac to line and neutral
Polarity test : yes
Skin high pot test : 6kVac line to skin

Tolerances not indicated in the drawing: +/- 2 %
design subject to change without prior notice

DATE of ISSUE:	Oktober, 2013		
REV: 06	1	ORIG:	lg



Feller Type: VIIG-H05VVF3G1) \$-; 25 2,50A GK - \$\$) "L29

RoHS compliant

1, .%\$.&\$% [

All dimensions in mm

FELLER 

A-2525 Günselsdorf, Austria

Telefon 0043-2256-62325-0

Fax:0043-2256-62325-7

email: sales@feller-at.com

<http://www.feller-at.com>