

GUIDE TUBE

Chrome-plated steel.

WORM SCREW WITH TRAPEZODIAL THREADING

AISI 303 stainless steel.

SLIDERS

Brass.

SLIDER CONNECTING INSERTS

Natural steel.

CLOSING END-CAPS

Polyamide based (PA) technopolymer.

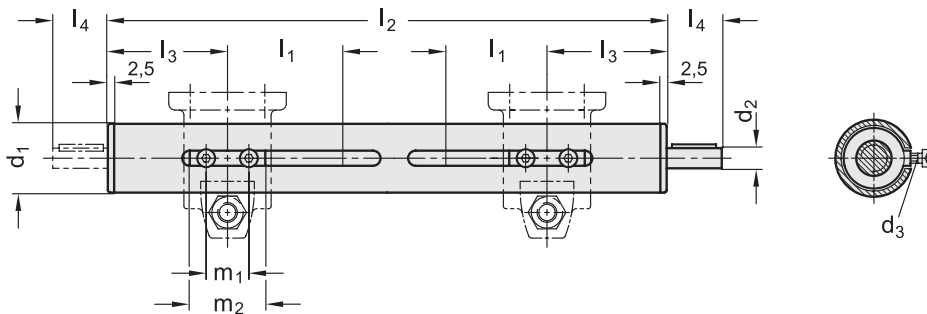
FEATURES AND APPLICATIONS

The assembly of GN 292 linear actuators can be made by using the different types of connecting clamps.

In order to measure the movement and fix the position of the sliders can be used the digital gravity position indicators DD52R (see page 665) and DD51 (see page 662).

SPECIAL EXECUTIONS ON REQUEST

- Linear actuators with different lengths.
- AISI 304 stainless steel guide tube linear actuators.
- Linear actuators with two separated worm screws.
- Linear actuators with worm screw projecting on both ends (GN 292-RL2).
- Guide tubes with laser-engraved precision graduations.



Code	Description	d1	d2.7	d3	l1 Travel (standr lengths)	Max. travel*	Shaft thread	l2	l3	l4	m1	m2	Keyway DIN 6885	
GN.66901	GN 292-18-120-RL1-SCR	18	6	M3	120	167	TR10x3	411	70	16	17	24	A2x2x12	440
GN.66906	GN 292-30-130-RL1-SCR	30	8	M4	130	601	TR14x4	513	102.5	16	23	38	A2x2x12	1250
GN.66911	GN 292-40-205-RL1-SCR	40	12	M5	205	753	TR20x4	709	117.5	17	42	54	A4x4x12	3560
GN.66916	GN 292-40-255-RL1-SCR	40	12	M5	255	753	TR20x4	809	117.5	17	42	54	A4x4x12	3700
GN.66921	GN 292-50-300-RL1-SCR	50	12	M6	300	748	TR20x4	909	120	18	42	54	A4x4x12	6400
GN.66926	GN 292-50-350-RL1-SCR	50	12	M6	350	748	TR20x4	1009	120	18	42	54	A4x4x12	6700

* Executions available on request up to the maximum travel indicated.

