

# 250 X 90 X 50 CM

## 98.4" X 35.4" X 19.7"

### MADERCLICK 6/500

**5** Años Garantía  
Years Guarantee  
Jahre Garantie  
Ans Garantie  
Anos de Garantia  
**SIMONRACK**



8 x  
125 cm  
49.2"

6 x  
90 x 50 cm  
35.4" x 19.7"

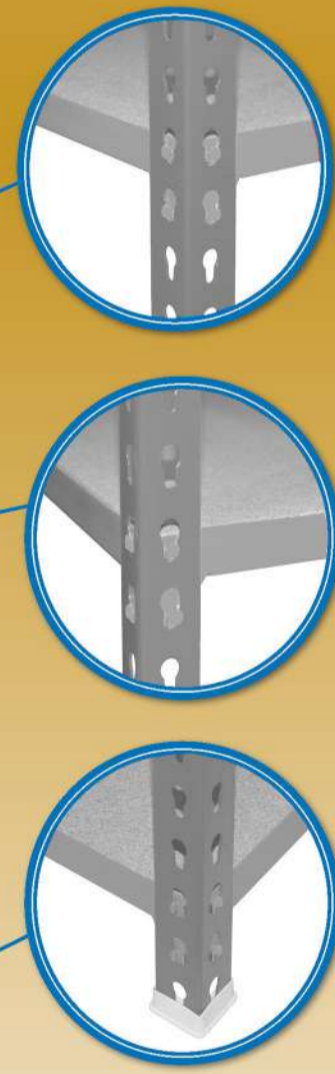
6 x  
50 cm  
19.7"

12 x  
90 cm  
35.4"

4 x

VIDEO INSTRUCTIONS

**900 kg**  
(1984 lb)  
**Total**



\*MEDIDAS EN USO USED MEASUREMENTS  
MASSNAHMEN IM EINSATZ MESURES EN EMPLOI MEDIDAS EM USO:  
2435 x 910 x 510 mm (95.8" x 35.8" x 20.08")



ESTANTERIAS SIMON S.L. B.50.556.463  
PG. ALFAMEN C/ POLIGONO C, N°3  
ALFAMEN (ZARAGOZA)



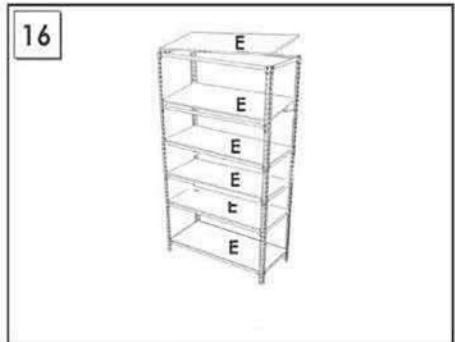
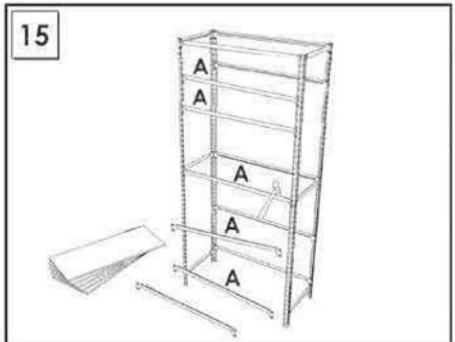
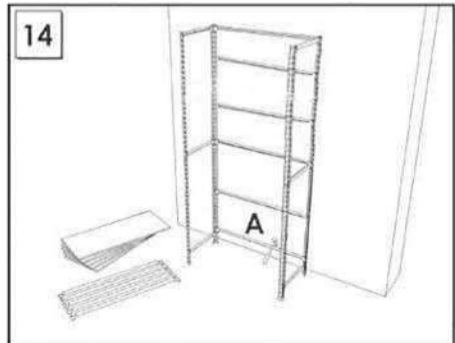
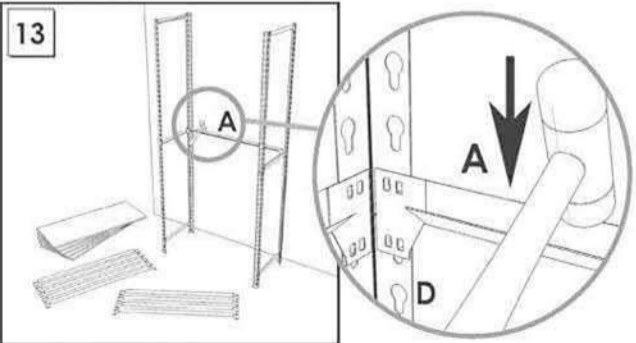
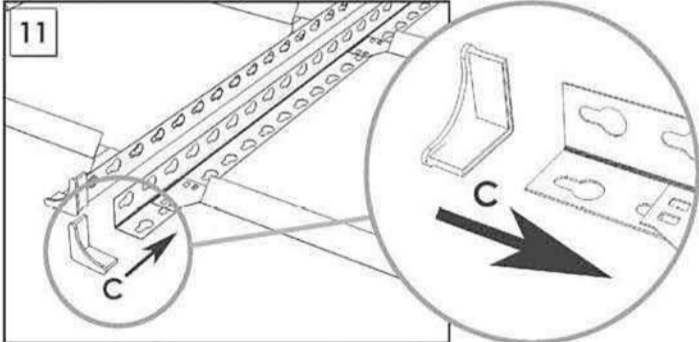
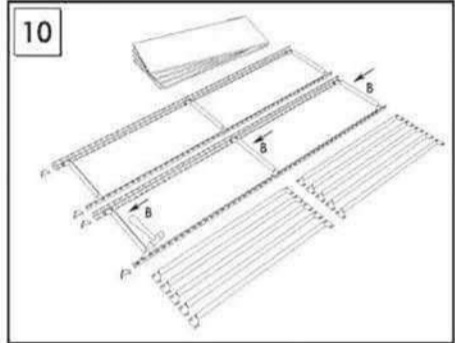
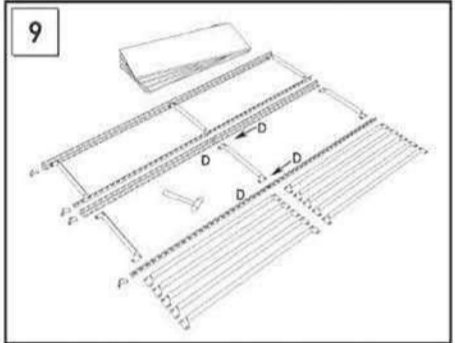
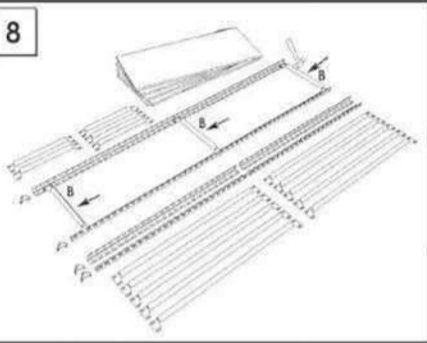
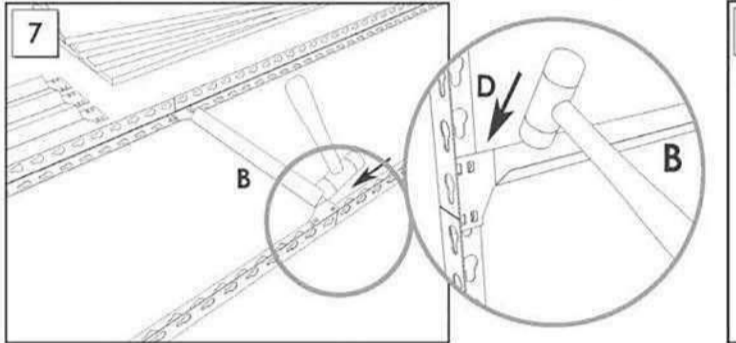
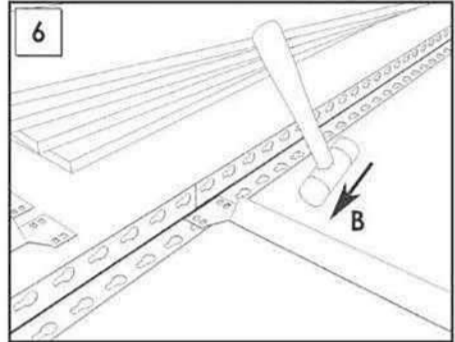
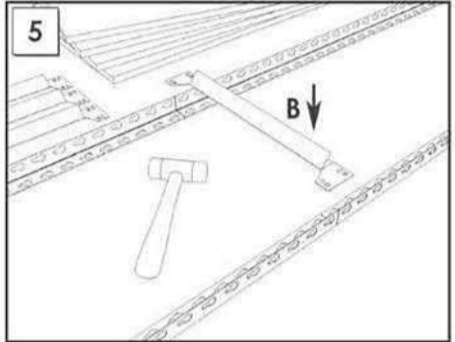
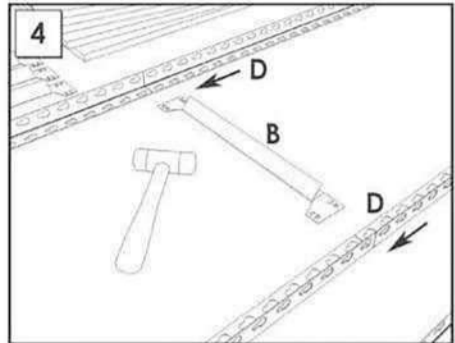
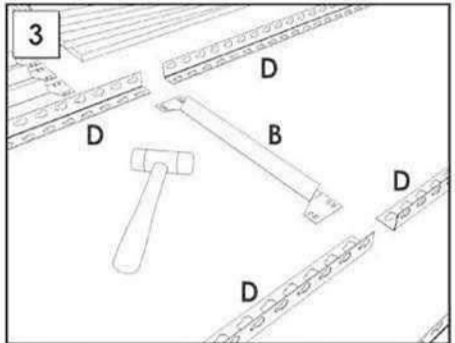
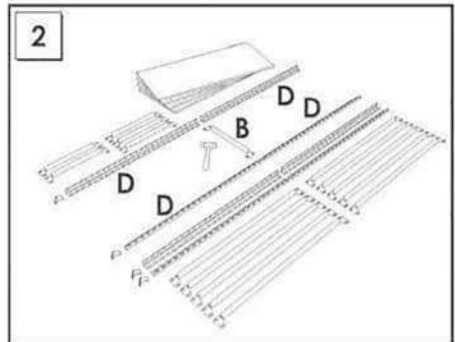
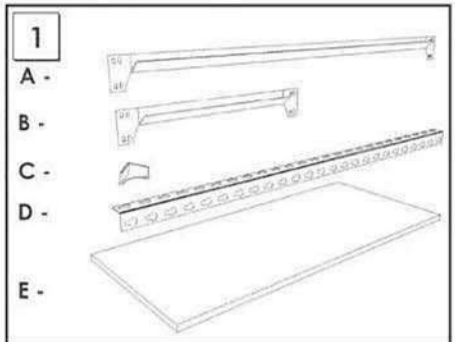
**Simon Rack**  
SINCE 1964 - MANUFACTURER



[www.simonrack.com](http://www.simonrack.com)



INSTRUCTIONS



On-line instructions: [www.instructionsrack.com/maderclick](http://www.instructionsrack.com/maderclick)

**SIMONCLASSIC**



**SIMONCLICK**



**SIMONOFFICE**



**SIMONTALLER**



**BANCOS DE TRABAJO WORK BENCHES**



**SIMONHOME**



**TAGUILLAS LOCKER**



**SIMONTITÁN**



**SIMONINOX**



**SIMONPALET**



**SIMONLEVER**



**ALTILLOS Y PASILLOS ELEVADOS PLATFORMS AND MEZZANINES**



www.simonrack.com • www.simonrack.com • www.simonrack.com • www.simonrack.com • www.simonrack.com • www.simonrack.com