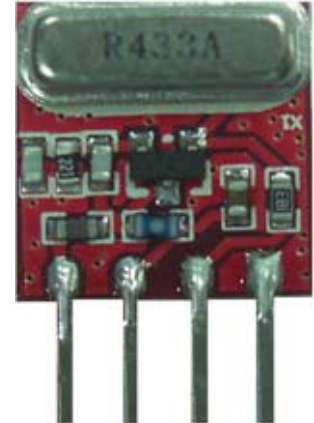


Features

- Complete RF Transmitter
- Transmit Range Up To 50m
- CMOS / TTL Input
- No Adjustable Components
- Very Stable Operating Frequency
- Low Current Consumption (Typ 11mA)
- Wide Operating Voltage (3-12v)
- ASK Modulation
- Available as 315 or 433 MHz



Applications

- Wireless Security Systems
- Car Alarms
- Remote Gate Controls
- Remote Sensing
- Data Capture
- Sensor Reporting

Description

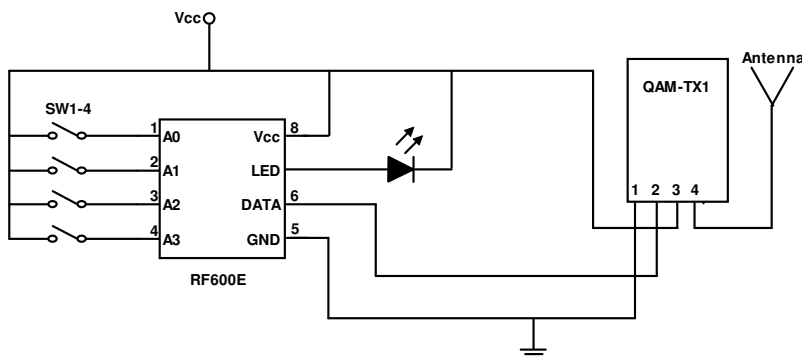
The Quasar UK AM hybrid transmitter module provides a complete RF transmitter which can be used to transmit data at up to 3KHz from any standard CMOS/TTL source.

The module is very simple to operate and offers low current consumption (typ. 12mA @5V). Data can be supplied directly from a microprocessor or encoding device, thus keeping the component count down and ensuring a low hardware cost.

The modules are compatible with the Quasar UK Ltd. range of AM receivers to provide a complete solution.

Typical Application

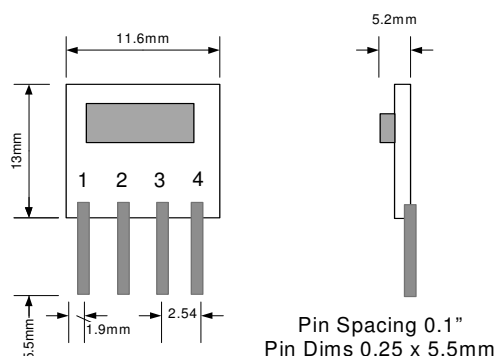
For further information on this circuit please refer to the RF Solutions datasheet DS600



Part Numbers

| Part Number | Description |
|-------------|-------------------------------|
| QAM-TX2-433 | AM Transmitter Module, 433MHz |
| QAM-TX2-315 | AM Transmitter Module, 315MHz |

Technical Specifications



Pin Descriptions

| Pin | Name | Description |
|-----|------|------------------|
| 1 | ANT | External Antenna |
| 2 | Vcc | Supply Voltage |
| 3 | IN | Data input |
| 4 | GND | Ground |

Electrical Characteristics

Ambient temp = 25°C unless otherwise stated.

| Characteristic | Min. | Typ. | Max. | Dimensions |
|---|------|--------|-------|------------|
| Supply Voltage | | 3 - 12 | | Vdc |
| Supply Current | | | | mA |
| 3V | | 6 | | |
| 5V | | 12 | | |
| 9V | | 16 | | |
| 12V | | 18 | | |
| Working Frequency | | 433.92 | | MHz |
| Time from Power on to data transmission | 10 | 20 | | mS |
| Data Rate | 200 | 1,000 | 3,000 | Hz |
| Input Duty Cycle | 45 | | 55 | % |
| Operating Temperature | -30 | | +60 | °C |