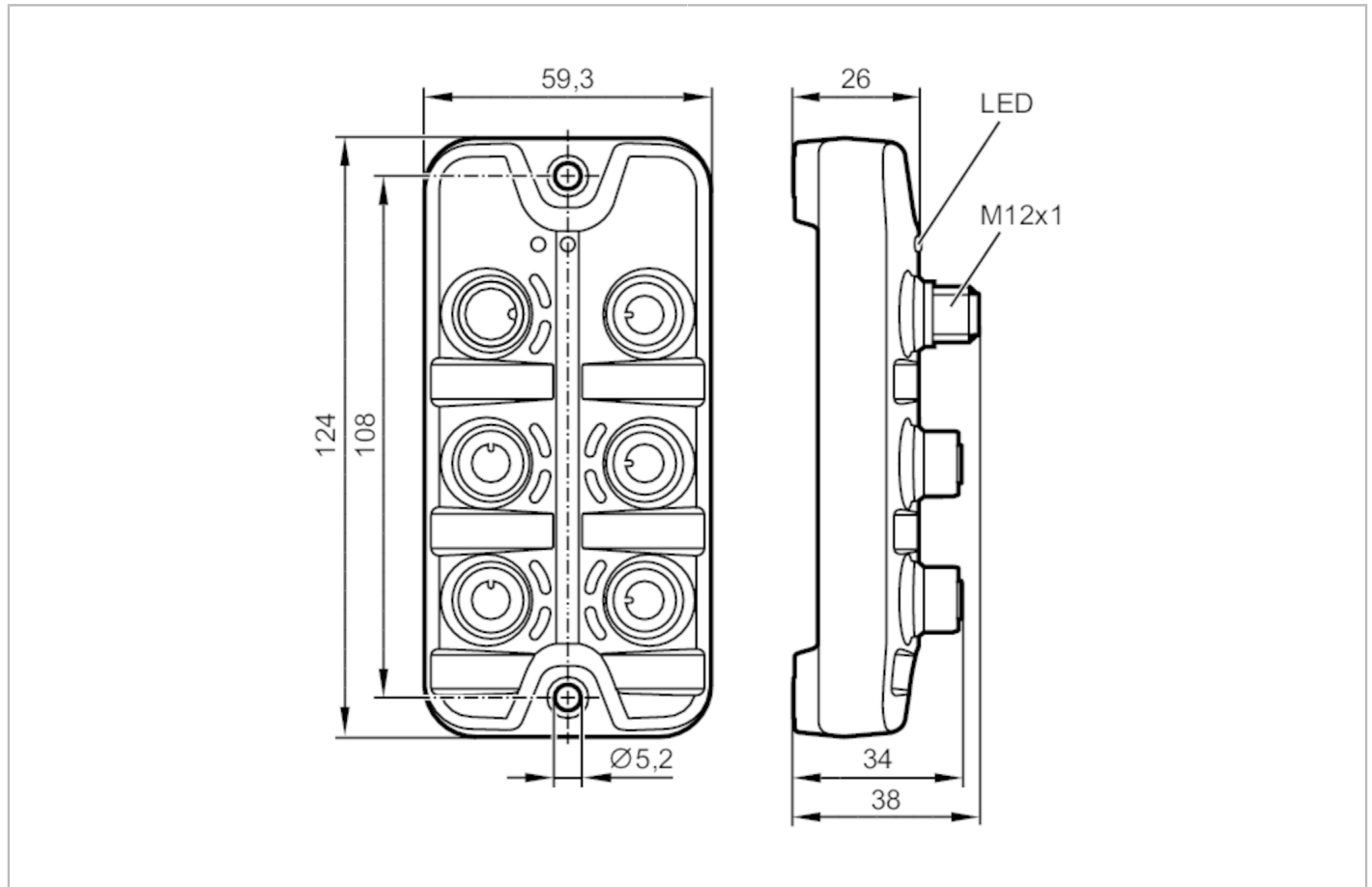


AC6001



IO-Link master with AS-i interface

IO-Link Master AS-i 4P IP69K



Application	
Application	hygienic systems; I/O modules for field applications
Daisy-chain function	voltage supply; fieldbus interface
Electrical data	
Operating voltage [V]	18...31.6 DC; (AS-i)
Current consumption [mA]	300...1500; (AUX)
Max. current consumption from AS-i [mA]	100
Protection class	III
Max. current load total [A]	1.1; (ports 1+2: 0,55 (AUX); ports 3+4: 0,55 (AUX))
Additional voltage supply [V]	20...30 DC; (AUX)
Inputs / outputs	
Total number of inputs and outputs	8; (configurable)
Number of inputs and outputs	Number of digital inputs: 8; Number of digital outputs: 4

AC6001



IO-Link master with AS-i interface

IO-Link Master AS-i 4P IP69K

Inputs			
Number of digital inputs	8; (IO-Link Port Class A: 4 x 2)		
Sensor supply of the inputs	AUX		
Switching level high [V]	11...30		
Switching level low [V]	0...5		
Digital inputs protected against short circuits	yes		
Outputs			
Number of digital outputs	4; (IO-Link Port Class A: 4 x 1)		
Max. current load per output [mA]	300		
Short-circuit proof	yes		
Actuator supply switching outputs	AUX		
Interfaces			
Communication interface	IO-Link; AS-i		
IO-Link Master			
Transmission type	COM 1 / COM 2 / COM 3		
IO-Link revision	1.1		
Number of ports class A	4		
Operating conditions			
Ambient temperature [°C]	-25...60		
Storage temperature [°C]	-25...85		
Max. relative air humidity [%]	90		
Protection	IP 65; IP 66; IP 67; IP 69K; (operation with stainless steel protective caps: IP 69K)		
Degree of soiling	2		
Tests / approvals			
EMC	EN 61000-6-2		
	EN 61000-6-4		
Shock resistance	DIN EN 60068-2-27		
Vibration resistance	DIN EN 60068-2-64 2009-04		
	DIN EN 60068-2-6 2008-10		
AS-i classification			
AS-i version	2.11; 3.0		
Extended addressing mode possible	no		
AS-i profile	S-7.4.E; (CTT1 input)		
Number of AS-i devices	1...5		
Further AS-i profiles	S-7.3.E	:	CTT1 input
	S-7.3.2	:	CTT1 output
Mechanical data			
Weight [g]	255		
Materials	housing: PA grey; socket: stainless steel (1.4404 / 316L)		
Remarks			
Remarks	For further information please see the operating instructions.		
Pack quantity	1 pcs.		



IO-Link master with AS-i interface

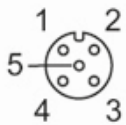
IO-Link Master AS-i 4P IP69K

Electrical connection - Process connection

IO-Link Port Class A X01...X04

1	+ 24 V DC (AUX)
2	digital input
3	GND (AUX)
4	C/Q IO-Link
5	not used

Connector: 4 x M12



Electrical connection - voltage supply IN

X21

1	AS-i +
2	AUX -
3	AS-i -
4	AUX +

Connector: 1 x M12



Electrical connection - voltage supply OUT

X22

1	AS-i +
2	AUX -
3	AS-i -
4	AUX +
5	not used

Connector: 1 x M12

AC6001



IO-Link master with AS-i interface

IO-Link Master AS-i 4P IP69K

