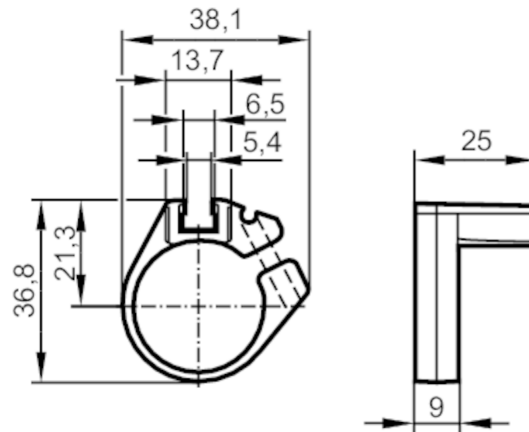


# E11960



## Clean-line cylinder mounting clamp for cylinder sensors

CLAMP FOR CLEAN LINE CYL D25



### Application

Design for types MKT / MKI

### Operating conditions

Ambient temperature [°C] 0...50

### Mechanical data

Weight [g] 9.3

Materials POM; fixture: aluminium; screw: stainless steel

Tightening torque [Nm] 0.5; (Mounting screw)

Piston diameter [mm] 25

### Accessories

Accessories (supplied) socket head screws: 1 x SW2,5

### Remarks

Pack quantity 1 pcs.

### Diagrams and graphs

Installation

