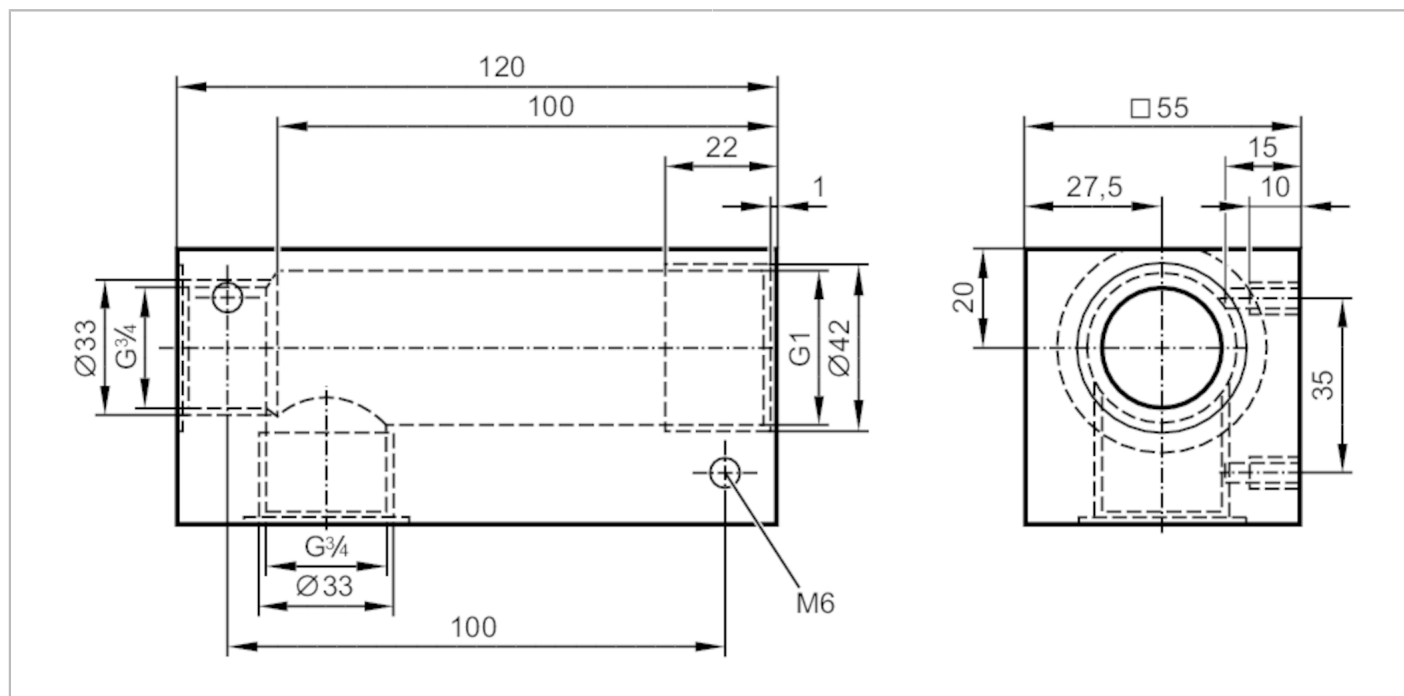


E43400



Process adapter block

ADAPTBLOCK G3/4



Application	
Design	for oil moisture sensor LDH100
Mechanical data	
Weight [g]	796.5
Materials	aluminium
Remarks	
Pack quantity	1 pcs.