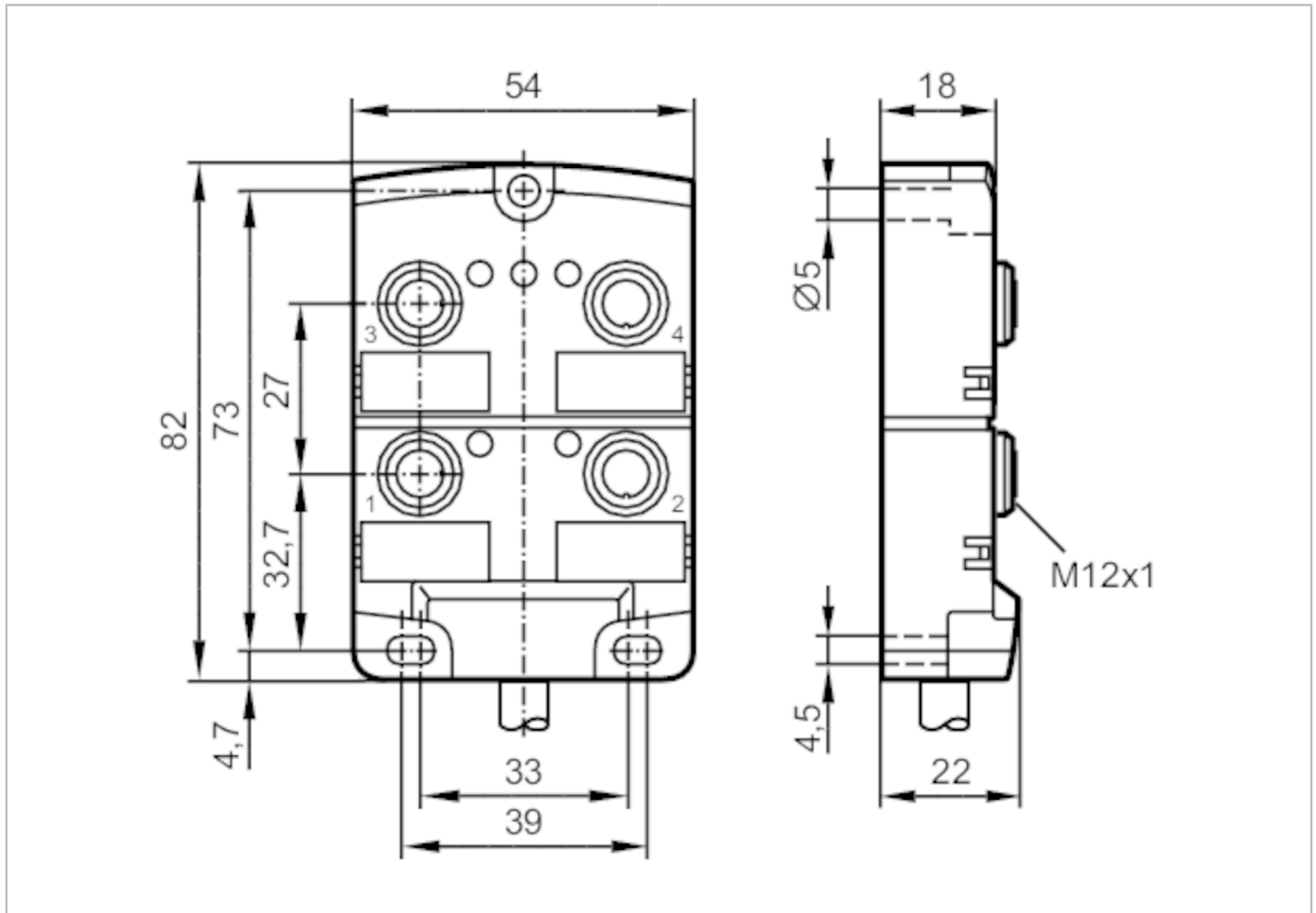


EBC015



Splitter box

ZDO4H055MSS0005H07



Application	
Special feature	Free from silicone; Halogen-free; Gold-plated contacts; Drag chain suitability
Free from silicone	yes
Electrical data	
Operating voltage [V]	10...30 DC; ("supply class 2" to cULus)
Protection class	II
Max. current load per module/slot [A]	4
Max. current load total [A]	12
Outputs	
Electrical design	PNP
Operating conditions	
Ambient temperature [°C]	-25...80
Ambient temperature (moving) [°C]	-5...60
Protection	IP 67; IP 68; ("enclosure type 1" according to cULus)

EBC015



Splitter box

ZDO4H055MSS0005H07

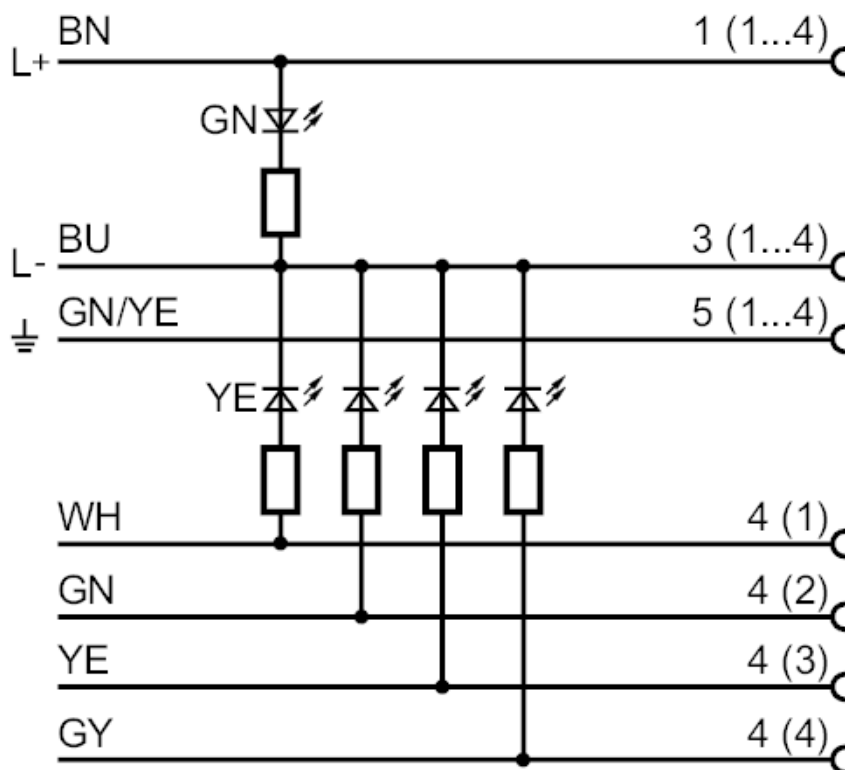
Mechanical data		
Weight	[g]	540
Dimensions	[mm]	22 x 54 x 82
Materials		PA
Number of ports splitter box		4
Connector type		M12
Drag chain suitability		yes
Drag chain suitability	bending radius for flexible use	min. 10 x cable diameter
	bending cycles	> 2 Mio.
Displays / operating elements		
Display	switching status	4 x LED, yellow
	operation	1 x LED, green
Accessories		
Accessories (supplied)		Protective caps: 2 labels: 4
Remarks		
Pack quantity		1 pcs.
Electrical connection		
Cable: 5 m, PUR, Halogen-free, black, \varnothing 7.5 mm; 4 x 0.34 mm ² (43 x \varnothing 0.1 mm) + 3 x 1 mm ² (55 x \varnothing 0.15 mm)		
Electrical connection - slot		
Connector: 4 x M12; Moulded body: PA; Contacts: gold-plated; Tightening torque: 0.8...1.5 Nm		



Splitter box

ZDO4H055MSS0005H07

Connection



Core colours :

BN =	brown
BU =	blue
GN =	green
GN/YE =	green/yellow
GY =	grey
WH =	white
YE =	yellow