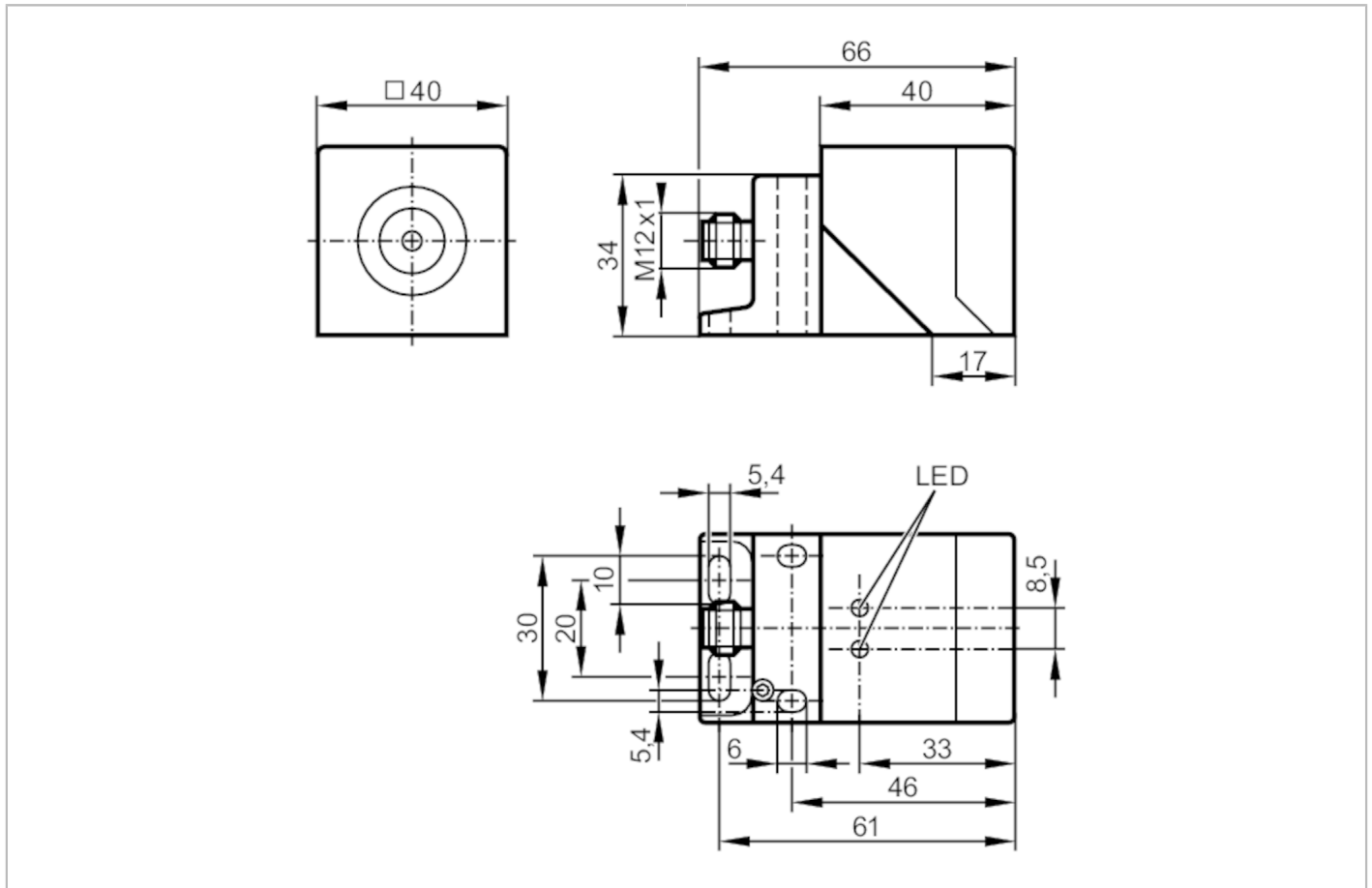


GM505S



Fail-safe inductive sensor

GIMC-4035-US



Product characteristics		
Output function		clock signal
Housing		rectangular
Dimensions	[mm]	40 x 40 x 66
Application		
Special feature		Gold-plated contacts
Type of operation		continuous operation (maintenance-free)
Application		industrial applications
Electrical data		
Operating voltage	[V]	19.2...30 DC
Rated insulation voltage	[V]	30
Current consumption	[mA]	< 15
Protection class		III
Reverse polarity protection		yes
Max. power-on delay time	[ms]	5000
Inputs		
Max. input capacitance	[nF]	2
Ci_max		

GM505S



Fail-safe inductive sensor

GIMC-4035-US

Outputs		
Output function		clock signal
Output data		Interface type B
Short-circuit protection		yes
Max. capacitive load CL_max [nF]		20
Detection zone		
Enable zone [mm]		10...20
Safe switching-off distance s(ar) [mm]		35
Response times		
Response time to safety request [ms]		20
Response time when approaching the enable zone [ms]		200; (typical 100)
Operating conditions		
Applications		class C to EN 60654-1 weatherproof application
Ambient temperature [°C]		-25...70
Note on ambient temperature		operational life ≤ 87600 h
Ambient temperature [°C]		10...40
Note on ambient temperature		operational life ≤ 175200 h
Rate of temperature change [K/min]		0.5
Max. relative air humidity [%]		briefly: 5...95 %; permanent: 5...70 %
Air pressure [kPa]		80...106
Ionising radiation		not permissible
Salt spray		no
Protection		IP 65; IP 67; (to EN 60529)
Tests / approvals		
EMC	IEC 60947-5-2	
	IEC 60947-5-3	
	EN 61000-4-2 ESD	6 kV CD / 8 kV AD
	EN 61000-4-3 HF radiated	20 V/m
	EN 61000-4-4 Burst	2 kV
	EN 61000-4-6 HF conducted	10 V
	EN 61000-4-8	30 A/m
	EN 55011	class B
Shock resistance	IEC 60947-5-2	
Vibration resistance	IEC 60947-5-2	
UL approval	Ta	-25...70 °C
	Enclosure type	Type 1
	voltage supply	Limited Voltage/Current
	File number UL	E174191

GM505S



Fail-safe inductive sensor

GIMC-4035-US

Safety classification	
ISO 13849-1	category 3, PL e
IEC 61508	SIL 3
Mission time TM [h]	≤ 175200
Mission time TM (additional indication)	20 years
Safety-related reliability PFHD [1/h]	1E-08

Mechanical data	
Weight [g]	358
Housing	rectangular
Mounting	non-flush mountable
Dimensions [mm]	40 x 40 x 66
Materials	PPE; diecast zinc

Displays / operating elements		
Display	operation	1 x LED, green
	signal	1 x LED, yellow

Remarks	
Remarks	Unless stated otherwise, all data refer to the reference target plate to IEC 60947-5-2 over the whole temperature range. (FE360 = ST37K) 60x60x1 mm
Pack quantity	1 pcs.

Electrical connection - plug

Connector: 1 x M12; Contacts: gold-plated



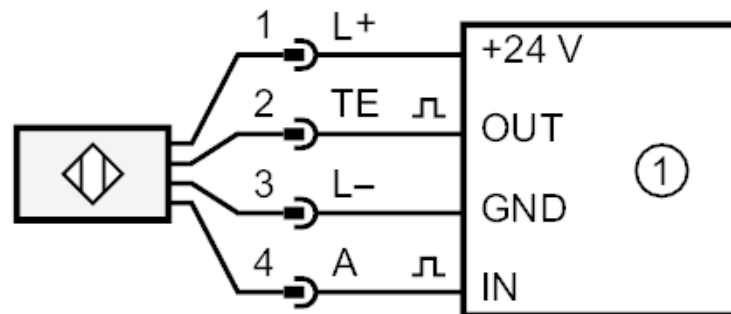
GM505S



Fail-safe inductive sensor

GIMC-4035-US

Connection



1 = safety-related logic unit