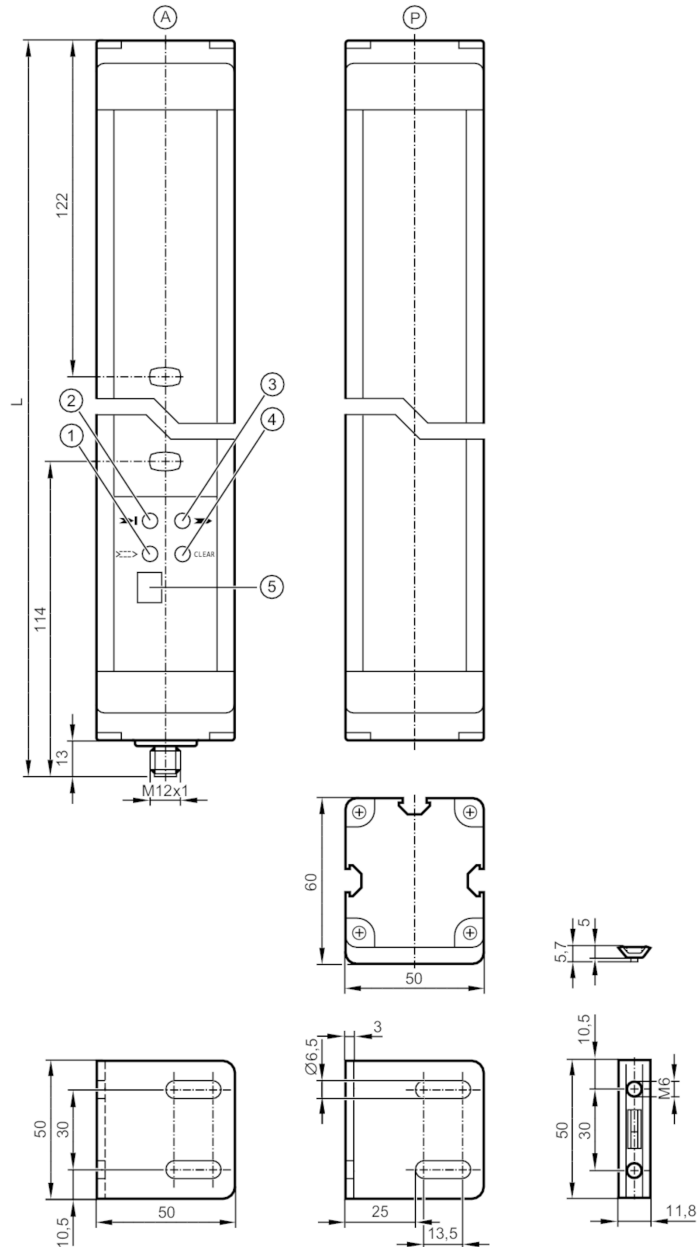


# OY903S



## Safety light grids

OYD0910-04-4-06-P-1



- A active element
- P passive element
- 1 LED orange
- 2 LED red
- 3 LED green
- 4 LED yellow
- 5 display



| Product characteristics |                                   |
|-------------------------|-----------------------------------|
| Type of light           | infrared light                    |
| Dimensions [mm]         | 1136 x 50 x 60                    |
| Application             |                                   |
| Protective function     | access prevention body protection |



## Safety light grids

OYD0910-04-4-06-P-1

| Electrical data                              |       |  |
|--|-------|--|
| Operating voltage tolerance                  | [%]   | 20   |
| Operating voltage                            | [V]   | 24 DC  |
| Current consumption                          | [mA]  | 250  |
| Protection class                             |       | III  |
| Reverse polarity protection                  |       | yes  |
| Power-on delay time                          | [s]   | < 10   |
| Type of light                                |       | infrared light                                 |
| Wave length                                  | [nm]  | 950  |
| Outputs                                      |       |  |
| Electrical design                            |       | PNP  |
| Number of OSSD outputs                       |       | 2  |
| Max. current load per OSSD output            | [mA]  | 500  |
| Short-circuit protection                     |       | yes  |
| Detection zone                               |       |  |
| Protected area height                        | [mm]  | 910  |
| Number of beams                              |       | 4  |
| Protection area width (low light intensity)  | [m]   | 0...6  |
| Protection area width (high light intensity) | [m]   | 0...6  |
| Active/passive system                        |       | yes  |
| Response times                               |       |  |
| Response time                                | [ms]  | 10.5   |
| Operating conditions                         |       |  |
| Applications                                 |       | class C to EN 60654-1 weatherproof application |
| Ambient temperature                          | [°C]  | -10...55                                       |
| Max. relative air humidity                   | [%]   | 95   |
| Protection                                   |       | IP 65  |
| Tests / approvals                            |       |  |
| EMC  |       | IEC 61496-1                                    |
| Shock resistance                             |       | IEC 61496-1                                    |
| Vibration resistance                         |       | IEC 61496-1                                    |
| Safety classification                        |       |  |
| ESPE type (IEC 61496-1)                      |       | 4  |
| ISO 13849-1                                  |       | category 4, PL e                               |
| IEC 61508                                    |       | SIL 3  |
| IEC 62061                                    |       | SIL cl 3                                       |
| Mission time TM                              | [h]   | 175200   |
| Safety-related reliability PFHD              | [1/h] | 5.0E-09  |

# OY903S

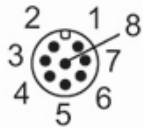


## Safety light grids

OYD0910-04-4-06-P-1

| Mechanical data               |   |                                    |
|-------------------------------|---|------------------------------------|
| Weight                        | [g]   | 9200                               |
| Dimensions                    | [mm]  | 1136 x 50 x 60                     |
| Materials                     |   | housing: aluminium; front lens: PC |
| Length L                      | [mm]  | 1136                               |
| Displays / operating elements |   |                                    |
| Display                       | transmitter   | 4 x LED                            |
|                               | transmitter   | LC display                         |
| Accessories                   |   |                                    |
| Accessories (supplied)        | mounting bracket: 6   |                                    |
|                               | slot nuts: 6  |                                    |
| Remarks                       |   |                                    |
| Notes                         | For 8-pole sockets the core colours are not standardised.; Please note the wiring of the sensor and the sockets (see data sheet). |                                    |
| Pack quantity                 | 1 pcs.  |                                    |
| Electrical connection         |   |                                    |

Connector: 1 x M12; Maximum cable length: 100 m; for wire cross-section 1 mm<sup>2</sup>



# OY903S



## Safety light grids

OYD0910-04-4-06-P-1

### Connection

