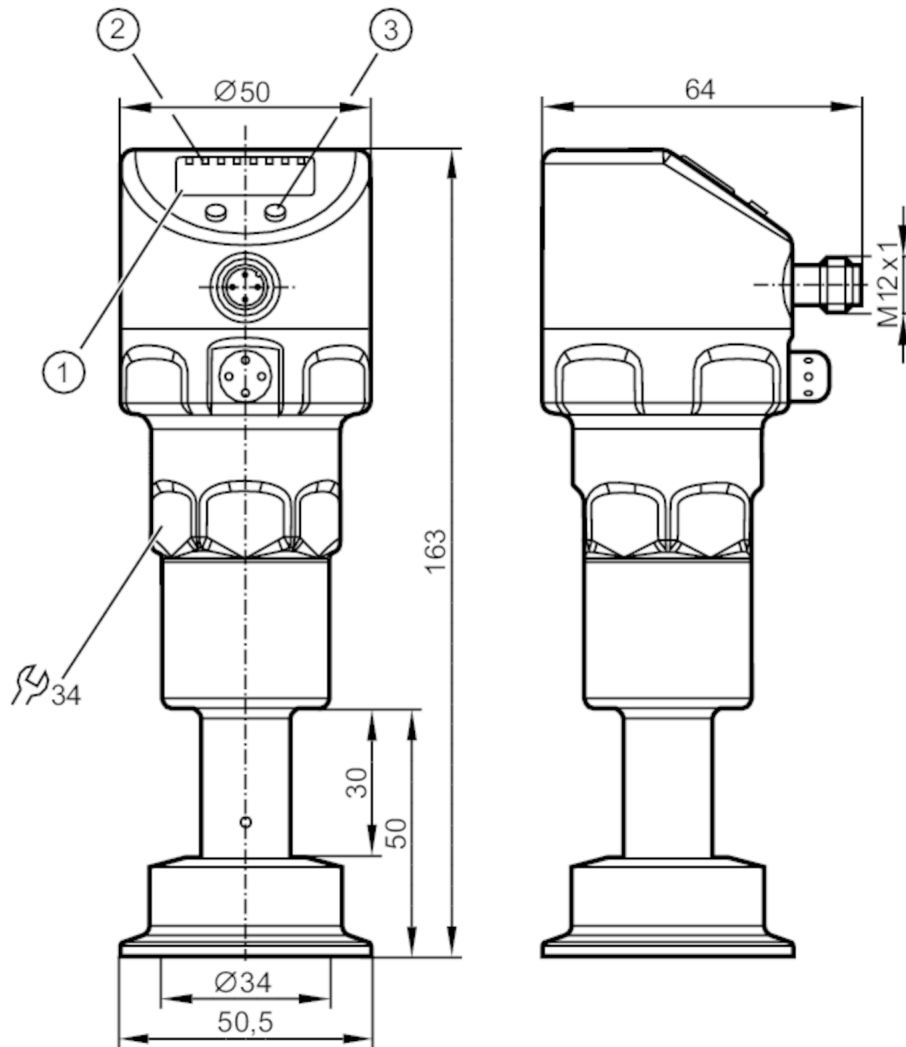


PI2209



Flush pressure sensor with display

PI-1-1BREZ01-MFRKG/US/ IP



- 1 alphanumeric display 4-digit
- 2 status LEDs
- 3 programming button



EC 1935/2004 EHEDG Certified FCM FDA IO-Link

Product characteristics

Output signal	switching signal; analogue signal; IO-Link; (configurable)		
Measuring range	-1000...1000 mbar	-14.5...14.5 psi	-100...100 kPa
Process connection	Clamp DN40 (1,5") DIN 32676 (ISO 2852)		

Application

Special feature	Gold-plated contacts		
Application	food and beverage industry		
Media	viscous media and liquids with suspended particles; liquids and gases		
Medium temperature [°C]	-25...200		
Pressure rating	10000 mbar	145 psi	1000 kPa
Min. bursting pressure	30000 mbar	435 psi	3000 kPa
Type of pressure	relative pressure; vacuum		



Flush pressure sensor with display

PI-1-1BREZ01-MFRKG/US/ IP

Electrical data		
Min. insulation resistance	[MΩ]	100; (500 V DC)
Protection class		III
Reverse polarity protection		yes
Integrated watchdog		yes
2-wire		
Operating voltage	[V]	20...32 DC
Current consumption	[mA]	3.6...21
Power-on delay time	[s]	1
3-wire		
Operating voltage	[V]	18...32 DC
Current consumption	[mA]	< 45
Power-on delay time	[s]	0.5
Inputs / outputs		
Number of inputs and outputs		Number of digital outputs: 2; Number of analogue outputs: 1
Outputs		
Total number of outputs		2
Output signal		switching signal; analogue signal; IO-Link; (configurable)
Electrical design		PNP/NPN
Number of digital outputs		2
Output function		normally open / normally closed; (parameterisable)
Number of analogue outputs		1
Analogue current output	[mA]	4...20, invertible; (scalable)
Short-circuit protection		yes
Type of short-circuit protection		pulsed
Overload protection		yes
2-wire		
Max. load	[Ω]	300
3-wire		
Max. voltage drop switching output DC	[V]	2
Permanent current rating of switching output DC	[mA]	250
Switching frequency DC	[Hz]	125
Max. load	[Ω]	(U _b - 10 V) / 20 mA



Flush pressure sensor with display

PI-1-1BREZ01-MFRKG/US/ IP

Measuring/setting range			
Measuring range	-1000...1000 mbar	-14.5...14.5 psi	-100...100 kPa
Set point SP	-998...1000 mbar	-14.45...14.5 psi	-99.8...100 kPa
Reset point rP	-1000...998 mbar	-14.5...14.45 psi	-100...99.8 kPa
Analogue start point	-1000...500 mbar	-14.5...7.25 psi	-100...50 kPa
Analogue end point	-500...1000 mbar	-7.25...14.5 psi	-50...100 kPa
In steps of	1 mbar	0.05 psi	0.1 kPa
Factory setting		SP1 = -500 mbar	rP1 = -540 mbar
		SP2 = 500 mbar	rP2 = 460 mbar
		ASP = -1000 mbar	AEP = 1000 mbar
Accuracy / deviations			
Switch point accuracy [% of the span]	< ± 0,2; (Turn down 1:1)		
Repeatability [% of the span]	< ± 0,1; (with temperature fluctuations < 10 K; Turn down 1:1)		
Characteristics deviation [% of the span]	< ± 0,2; (Turn down 1:1 linearity, incl. hysteresis and repeatability limit value setting to DIN 16086)		
Linearity deviation [% of the span]	< ± 0,15; (Turn down 1:1)		
Hysteresis deviation [% of the span]	< ± 0,15; (Turn down 1:1)		
Long-term stability [% of the span]	< ± 0,1; (Turn down 1:1; per year)		
Temperature coefficient zero point [% of the span / 10 K]	< ± 0,3; (0...200 °C)		
Temperature coefficient span [% of the span / 10 K]	< ± 0,15; (0...200 °C)		
Response times			
Damping for the switching output dAP [s]	0...30		
Damping for the analogue output dAA [s]	0.01...99.99		
2-wire			
Step response time analogue output [ms]	45		
3-wire			
Min. response time of switching output (dAP) [ms]	3		
Step response time analogue output [ms]	7		



Flush pressure sensor with display

PI-1-1BREZ01-MFRKG/US/ IP

Interfaces		
Communication interface	IO-Link	
Transmission type	COM2 (38,4 kBaud)	
IO-Link revision	1.0	
SDCI standard	IO-Link Communication Specification, Version 1.0, January 2009, Ordner No: 10.002	
IO-Link device ID	108 d / 00 00 6C h	
Profiles	no profile	
SIO mode	yes	
Required master port type	A	
Process data analogue	1	
Process data binary	2	
Min. process cycle time [ms]	2.3	
Operating conditions		
Ambient temperature [°C]	-25...80	
Note on ambient temperature	Medium temperature: ≤ 160 °C	
Ambient temperature [°C]	-25...65	
Note on ambient temperature	Medium temperature: ≤ 200 °C	
Storage temperature [°C]	-25...100	
Protection	IP 67; IP 68; IP 69K	
Tests / approvals		
EMC	DIN EN 61000-6-2	
	DIN EN 61000-6-3	
Shock resistance	50 g (11 ms)	
Vibration resistance	20 g (10...2000 Hz)	
MTTF [years]	141	
Note on approval	Including free 6-point calibration certificate.	
Mechanical data		
Weight [g]	1050.85	
Materials	stainless steel (1.4404 / 316L); stainless steel (1.4435 / 316L); PBT; PEI; PFA	
Materials (wetted parts)	stainless steel (1.4435 / 316L)	
Min. pressure cycles	10 million	
Process connection	Clamp DN40 (1,5") DIN 32676 (ISO 2852)	
Surface characteristics Ra/Rz of the wetted parts	< 0.38 / -	
Fill fluid for pressure transfer	NEOBEE (food grade, FDA compliant)	
Diaphragm diameter [mm]	34	
Displays / operating elements		
Display	Display unit	LED, green
	switching status	LED, yellow
	function display	alphanumeric display, 4-digit
	measured values	alphanumeric display, 4-digit
Display unit	mbar; kPa; psi; inH2O; mWS; % of the span	
Remarks		
Pack quantity	1 pcs.	

PI2209

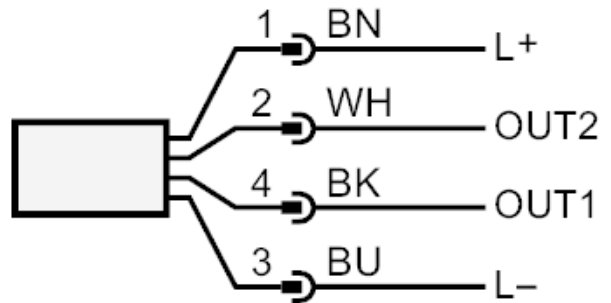
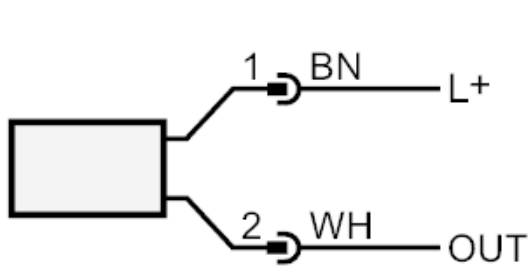


Flush pressure sensor with display

PI-1-1BREZ01-MFRKG/US/ IP

Electrical connection

Connector: 1 x M12; Contacts: gold-plated



	connection for 2-wire operation :
OUT	analogue output
	connection for 3-wire operation :
OUT1	switching output
	IO-Link
OUT2	switching output
	analogue output
	colours to DIN EN 60947-5-2
	Core colours :
BK =	black
BN =	brown
BU =	blue
WH =	white